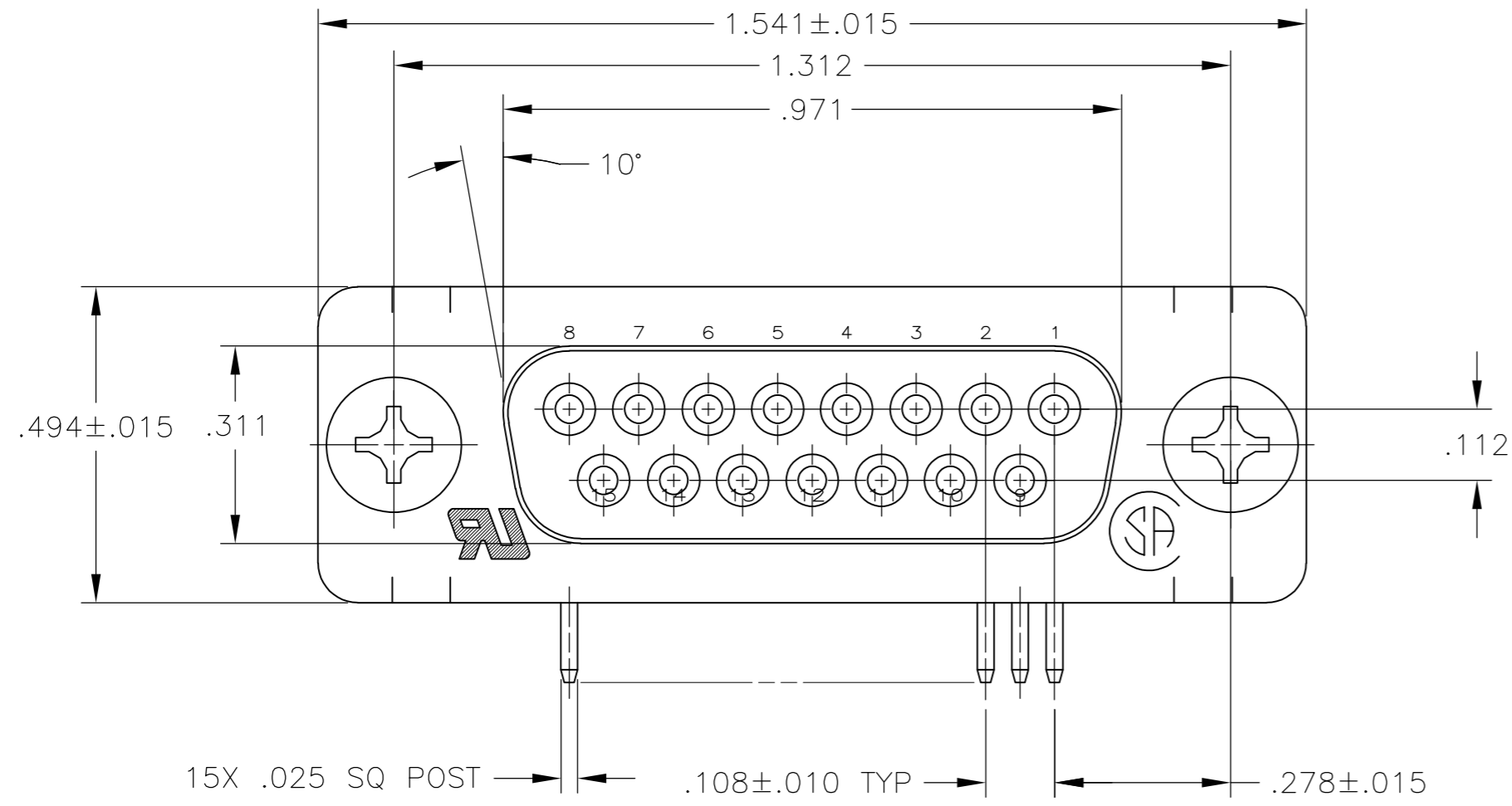
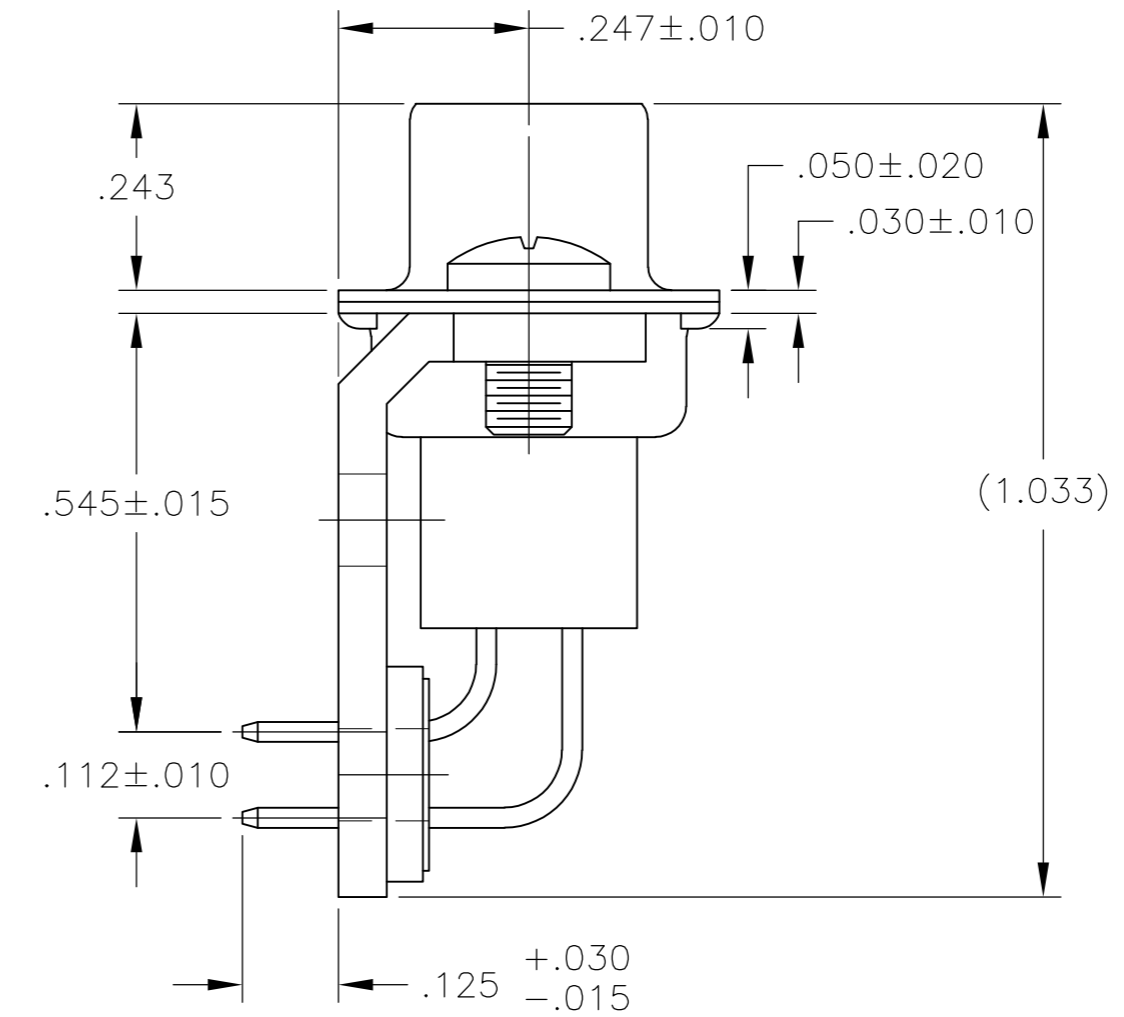
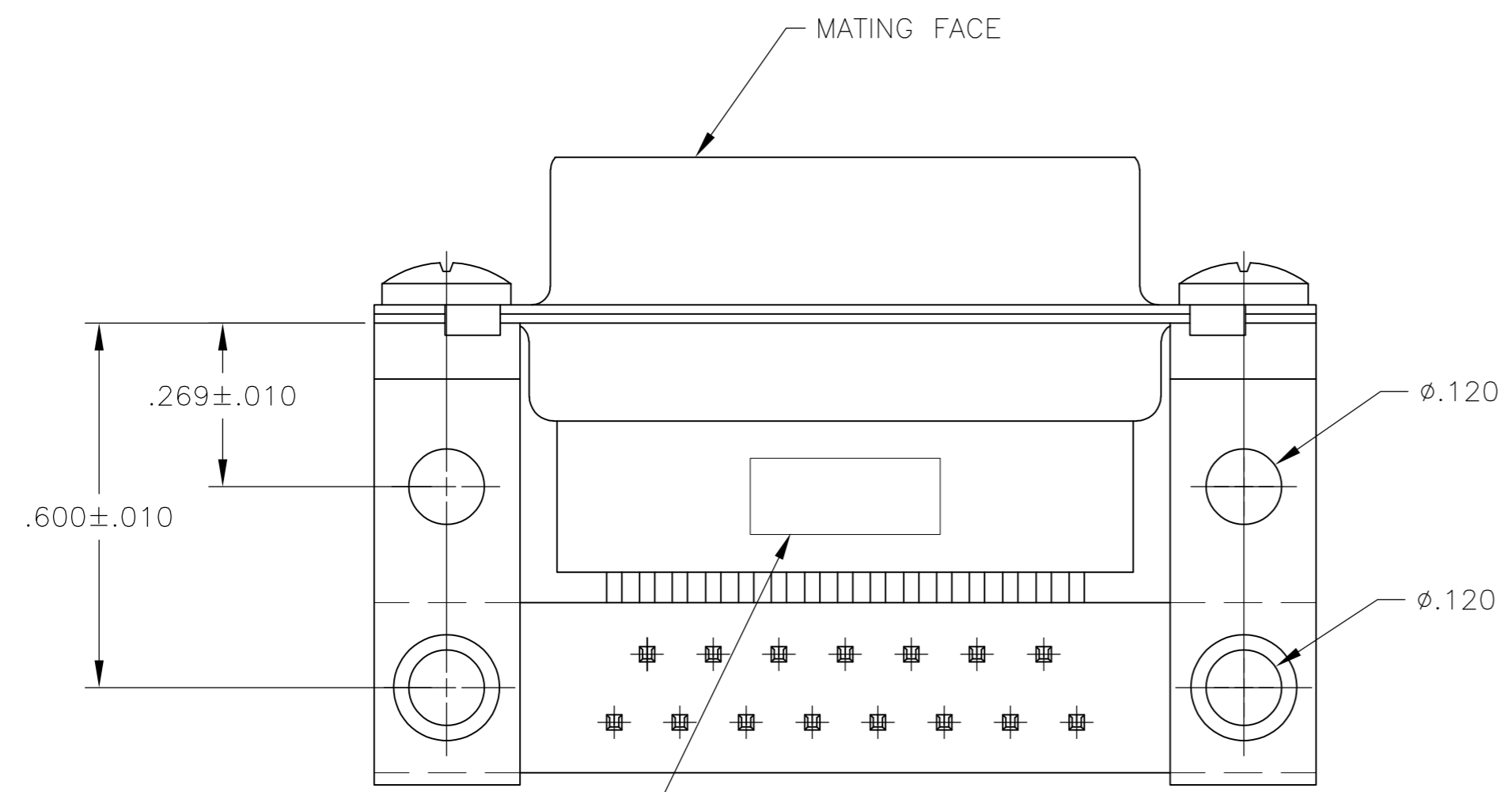


THIS DRAWING IS UNPUBLISHED. RELEASED FOR PUBLICATION
 © COPYRIGHT 2005 By - ALL RIGHTS RESERVED.

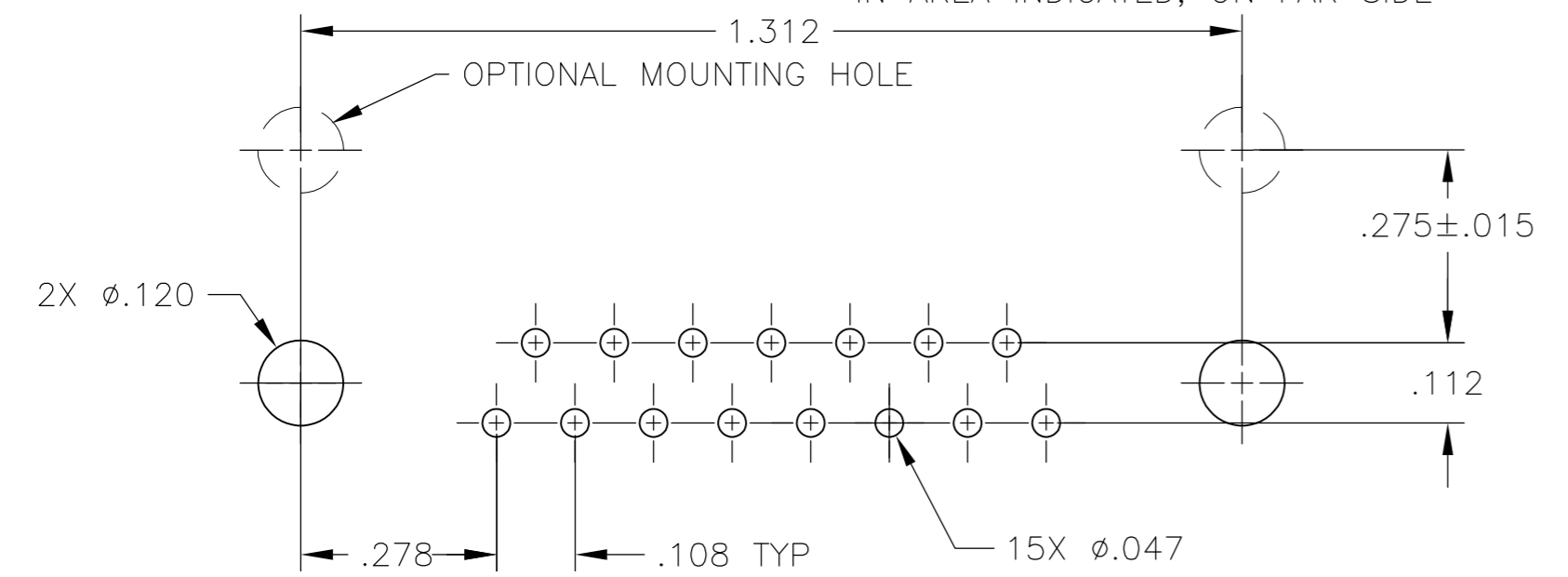
LOC		DIST		REVISIONS					
P	LTR	DESCRIPTION	DATE	DWN	APVD				
GP	00			A		REVISED PER ECO-14-011808	11AUG2014	AP	SB



- 1 MOLDED PARTS: GLASS-FILLED PBT OR GLASS-FILLED NYLON, UL94V-0 RATED. COLOR: BLACK.
SHELLS & BRACKETS: CARBON STEEL
CONTACTS: PHOS BRONZE
- 2 SHELLS & BRACKETS: ZINC PLATED YELLOW CHROMATE COATING.
CONTACTS: GOLD FLASH FOR A LENGTH OF .100 MINIMUM FROM MATING END, .000100 MINIMUM TIN ON OPPOSITE END, BOTH OVER .000050 MINIMUM NICKEL.



TYCO, PART NO. & DATE CODE, MARKED IN AREA INDICATED, ON FAR SIDE



P.C. BOARD MOUNTING DIMENSIONS

5205868-1
PART NUMBER

THIS DRAWING IS A CONTROLLED DOCUMENT.		DWN	17OCT05		
DIMENSIONS: INCHES		CHK	17OCT05		
TOLERANCES UNLESS OTHERWISE SPECIFIED:		APVD	17OCT05		
0 PLC ± - 1 PLC ± - 2 PLC ± - 3 PLC ± ±.005 4 PLC ± - ANGLES ± ±2°		NAME	M. WALMSLEY		
MATERIAL		PRODUCT SPEC	108-40025	RECEPTACLE ASSEMBLY, SIZE 2, 15 POS., RIGHT ANGLE, .545 SERIES, .025 SQ. POST, AMPLIMITE HDP	
FINISH		APPLICATION SPEC	114-40013	SIZE	A2
1		WEIGHT	-	CAGE CODE	00779
2		CUSTOMER DRAWING		DRAWING NO	C=5205868
		SCALE	4:1	SHEET	1 of 1
		REV	A		

5205868

单击下面可查看定价，库存，交付和生命周期等信息

[>>TE Connectivity\(泰科\)](#)