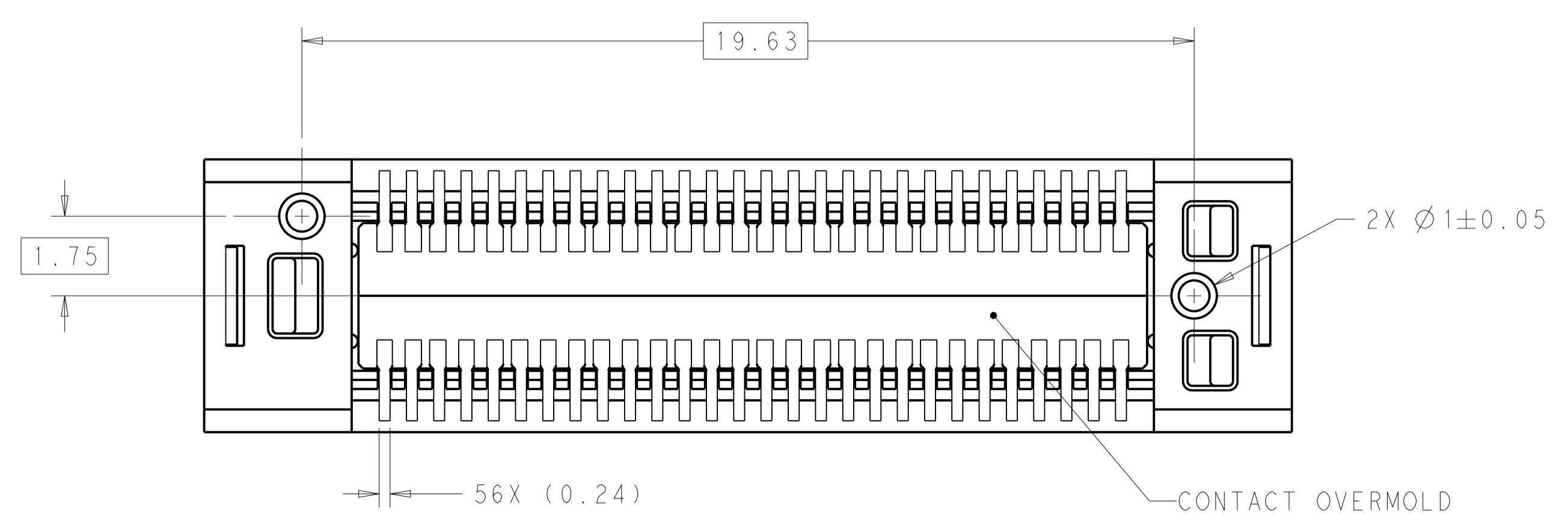
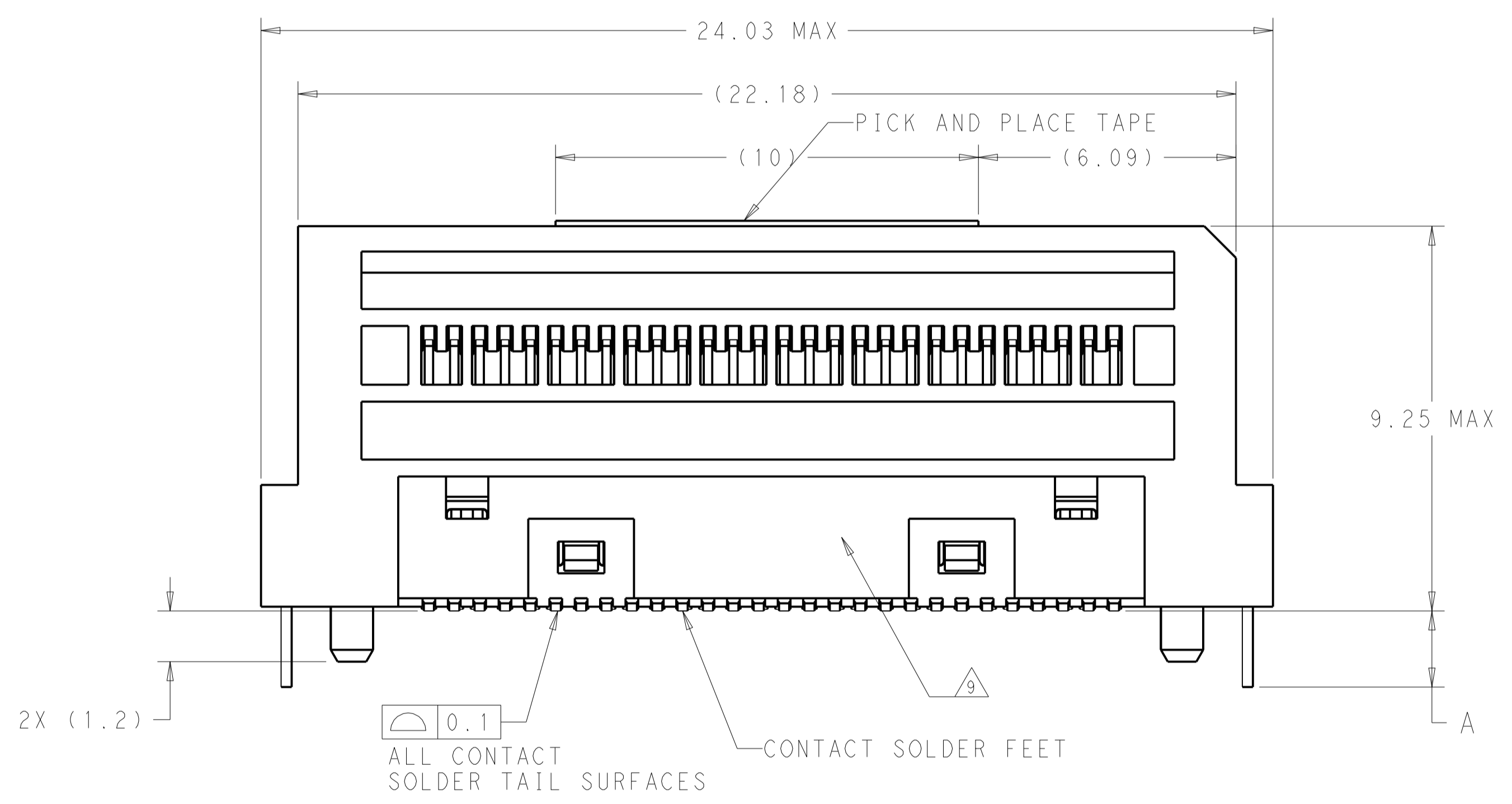
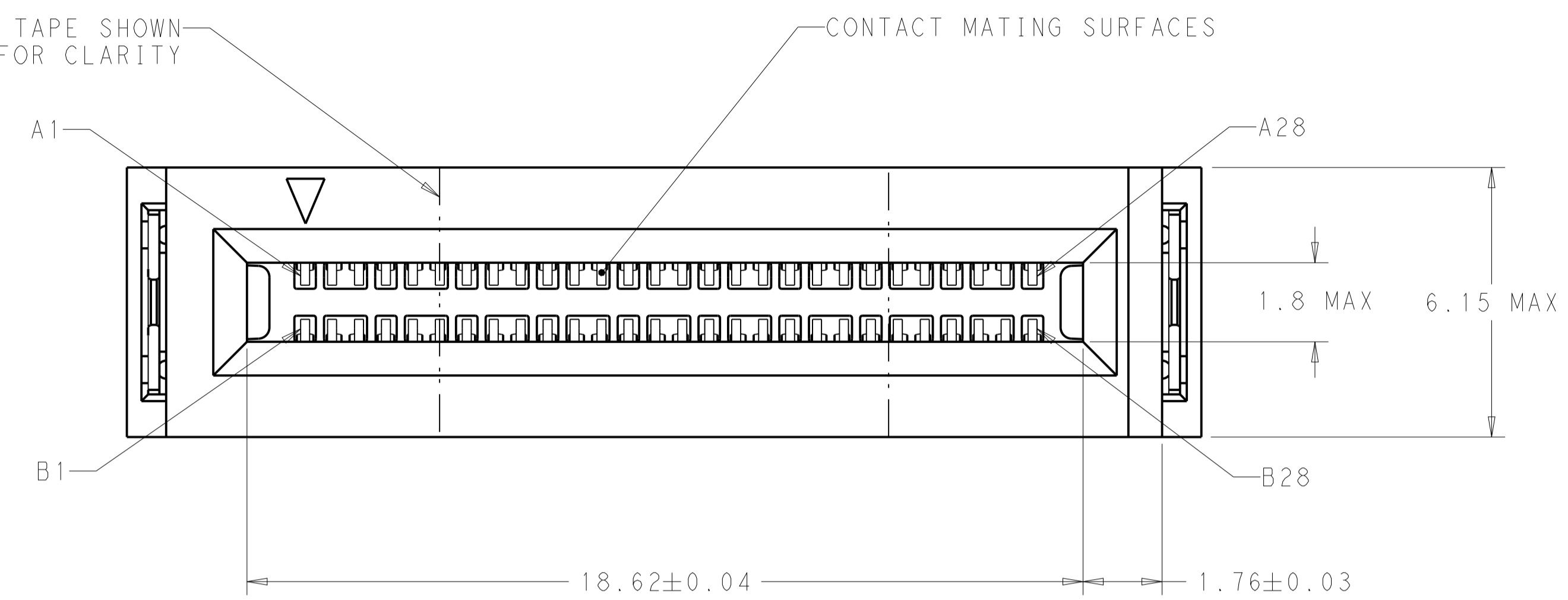
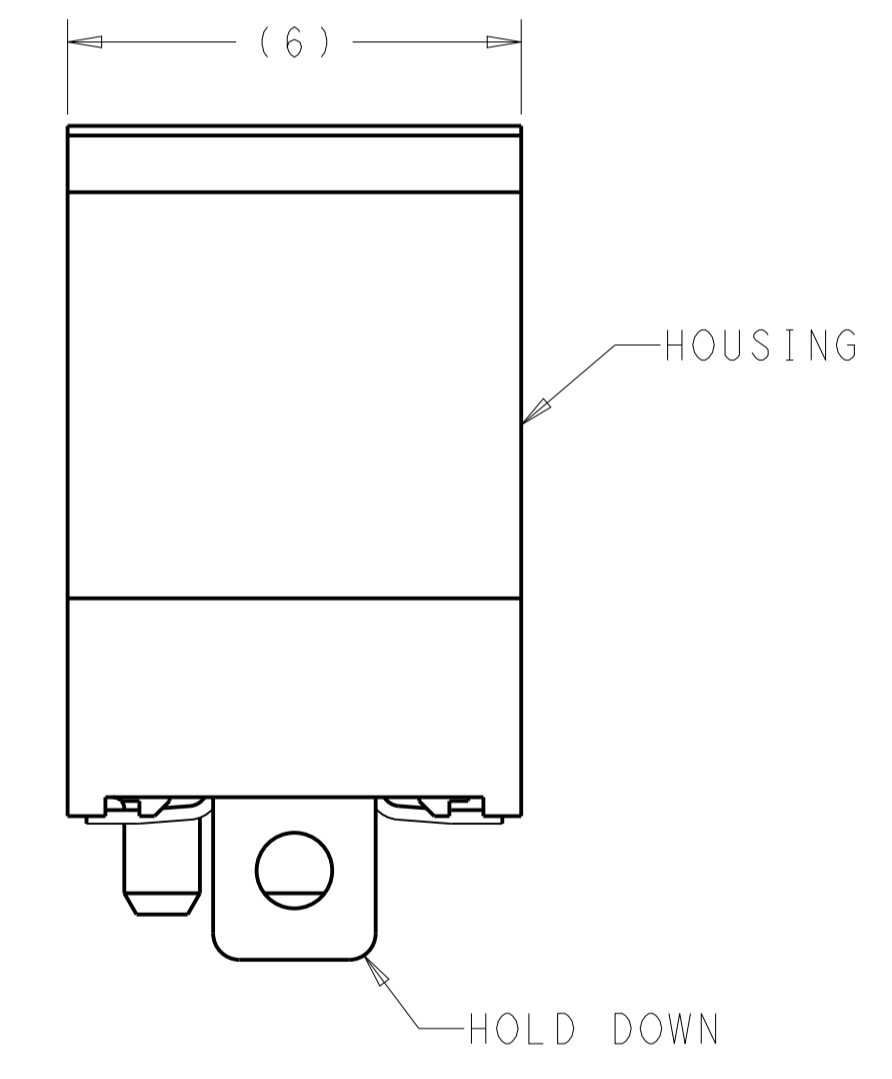


| REVISIONS | | | | |
|-----------|------|---------------------------|-----------|--------|
| P. | LTN. | DESCRIPTION | DATE | APVD. |
| A | | RELEASED | 17MAY2019 | CJV JW |
| B | | REVISED PER ECO-19-011736 | 07AUG2019 | AP JW |
| C | | REVISED PER ECO-21-001773 | 07FEB2021 | TX DZ |

PICK AND PLACE TAPE SHOWN AS TRANSPARENT FOR CLARITY

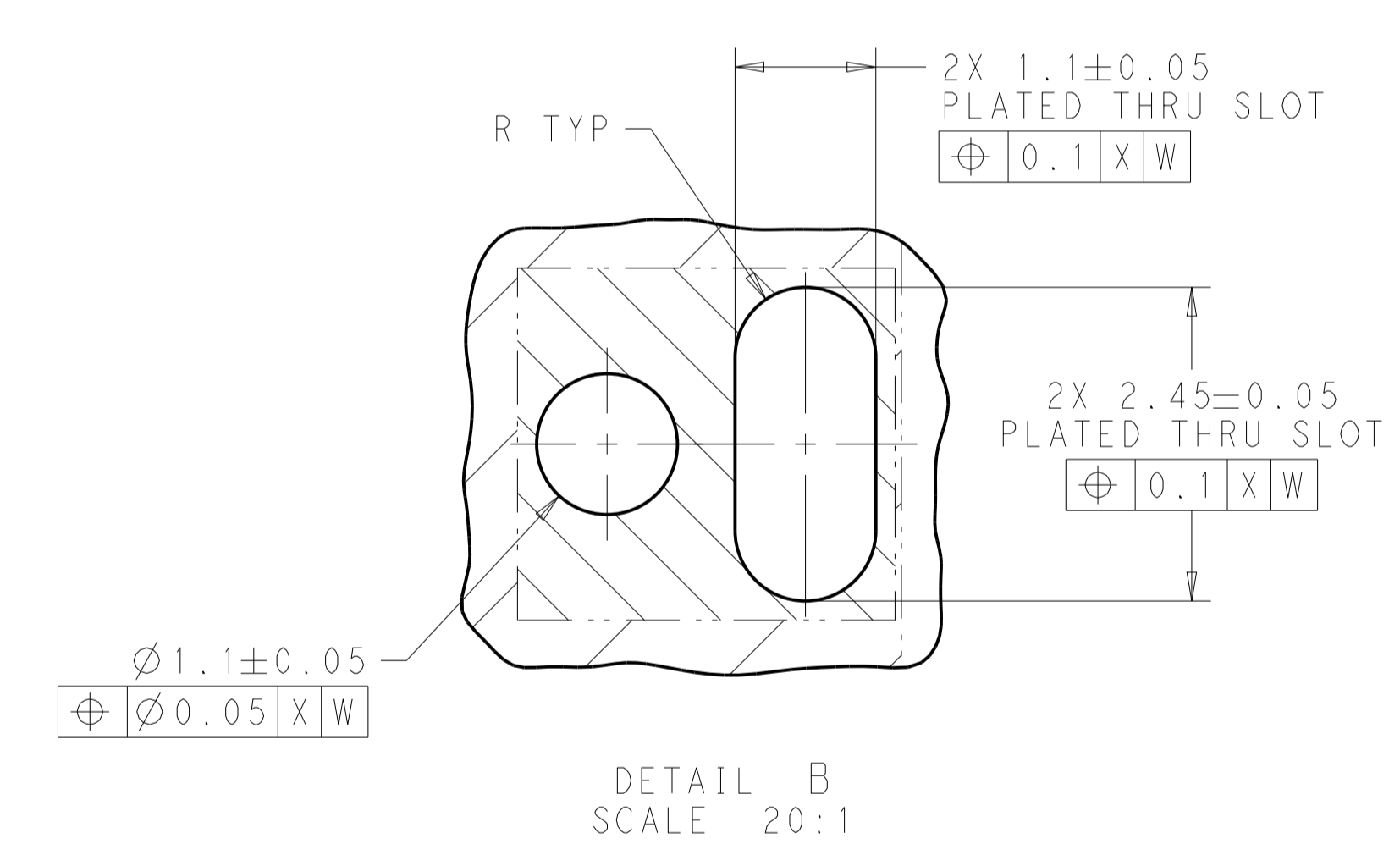
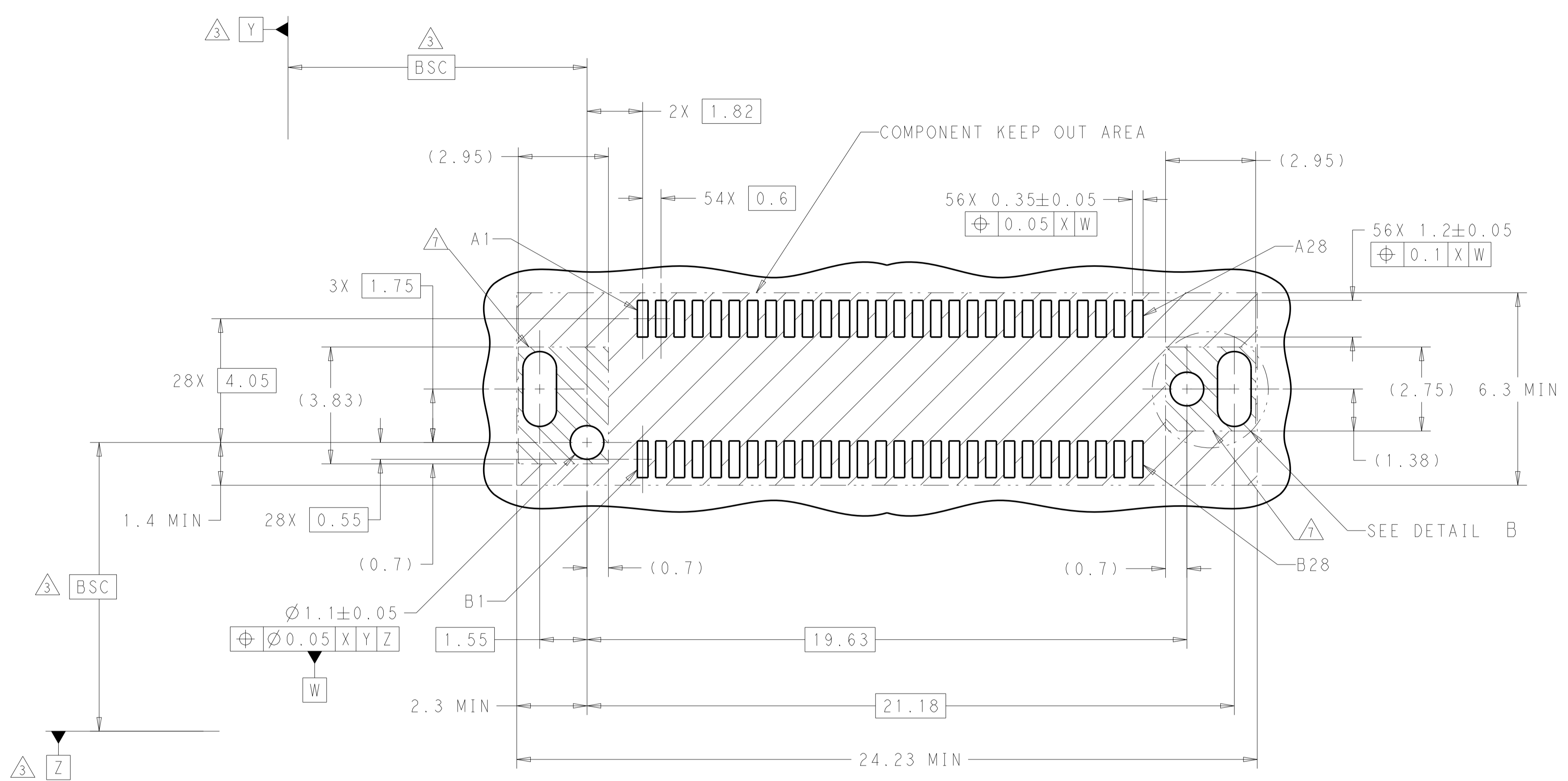


- ⚠ HOUSING AND CONTACT OVERMOLDS - LCP, UL94-V0, BLACK. CONTACTS AND HOLD DOWNS - COPPER ALLOY. PICK AND PLACE TAPE - POLYIMIDE FILM.
- ⚠ CONTACTS - GOLD PLATE ON MATING SURFACES, TIN PLATE ON SOLDER FEET. HOLD DOWNS - TIN PLATE.
- ⚠ DATUMS AND BASIC DIMENSIONS ESTABLISHED BY CUSTOMER.
- 4. MINIMUM HOST PCB THICKNESS: 1.5.
- ⚠ SEE MSA SPECIFICATION FOR ADDITIONAL PADDLE CARD LAYOUTS COMPATIBLE WITH THIS RECEPTACLE AND FOR OPTIONAL SPLIT CONTACT PAD LAYOUTS FOR THE PADDLE CARD. SPECIFICATION PINOUT MAY ALSO DESIGNATE PAD SEQUENCE DIFFERENT FROM ILLUSTRATION.
- ⚠ POSITIONS DESIGNATED AS "SIGNAL" ARE REQUIRED LOCATIONS FOR HIGH SPEED DIFFERENTIAL PAIR SIGNALING. THESE LOCATIONS MAY ALSO BE USED FOR SUPPORTING SIDEBAND SIGNALS OR OTHER UTILITY PURPOSES. POSITIONS DESIGNATED AS "GROUND" ARE REQUIRED WHEN SUPPORTING HIGH SPEED DIFFERENTIAL SIGNALS. THESE LOCATIONS MAY ALSO BE USED FOR SIDEBAND SIGNALS OR OTHER UTILITY PURPOSES.
- ⚠ COMPONENT AND TRACE KEEP OUT AREA. EACH EDGE 0.15 MIN FROM EDGE OF HOLE.
- ⚠ TAPE AND REEL PACKAGED FOR PICK AND PLACE SMT PROCESSING, SEE FIGURE 1. POCKET TAPE WIDTH = 44.
- ⚠ PART NUMBER AND DATE CODE MARKED IN APPROXIMATE AREA SHOWN.



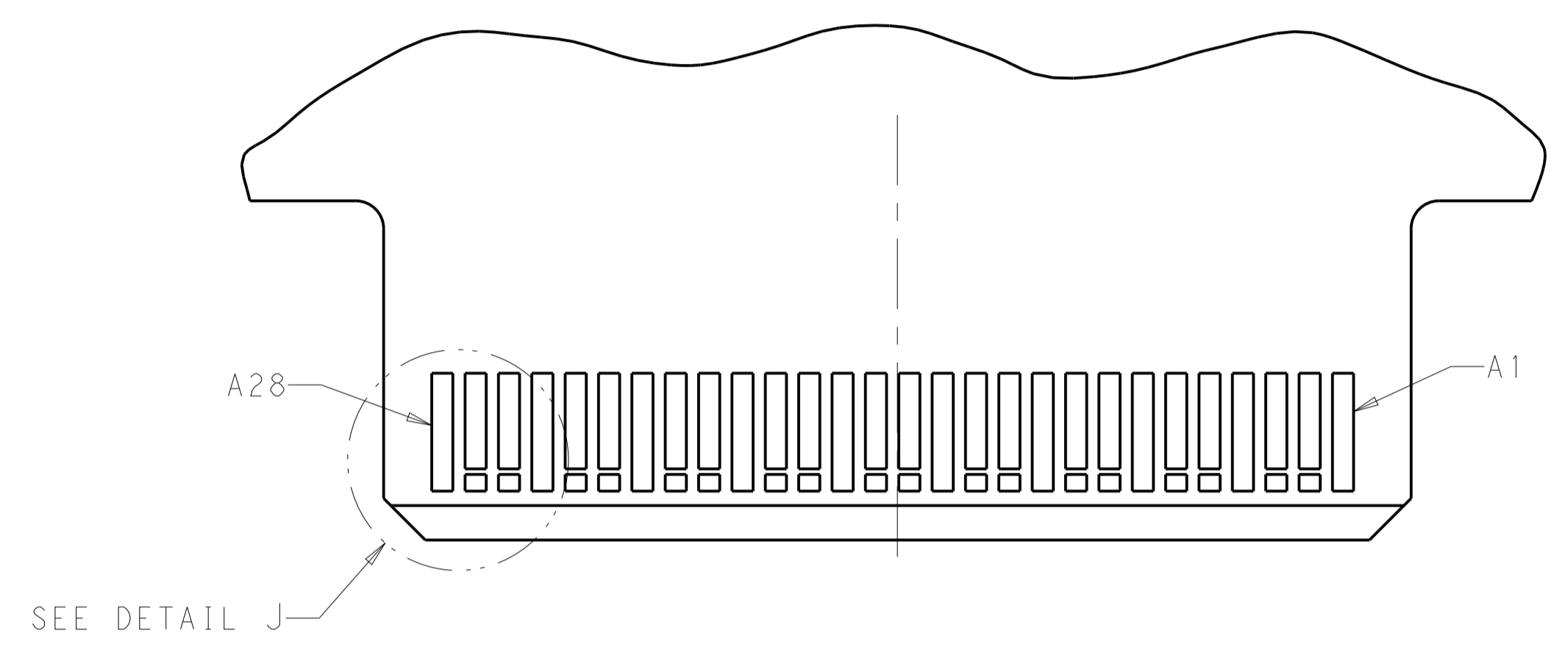
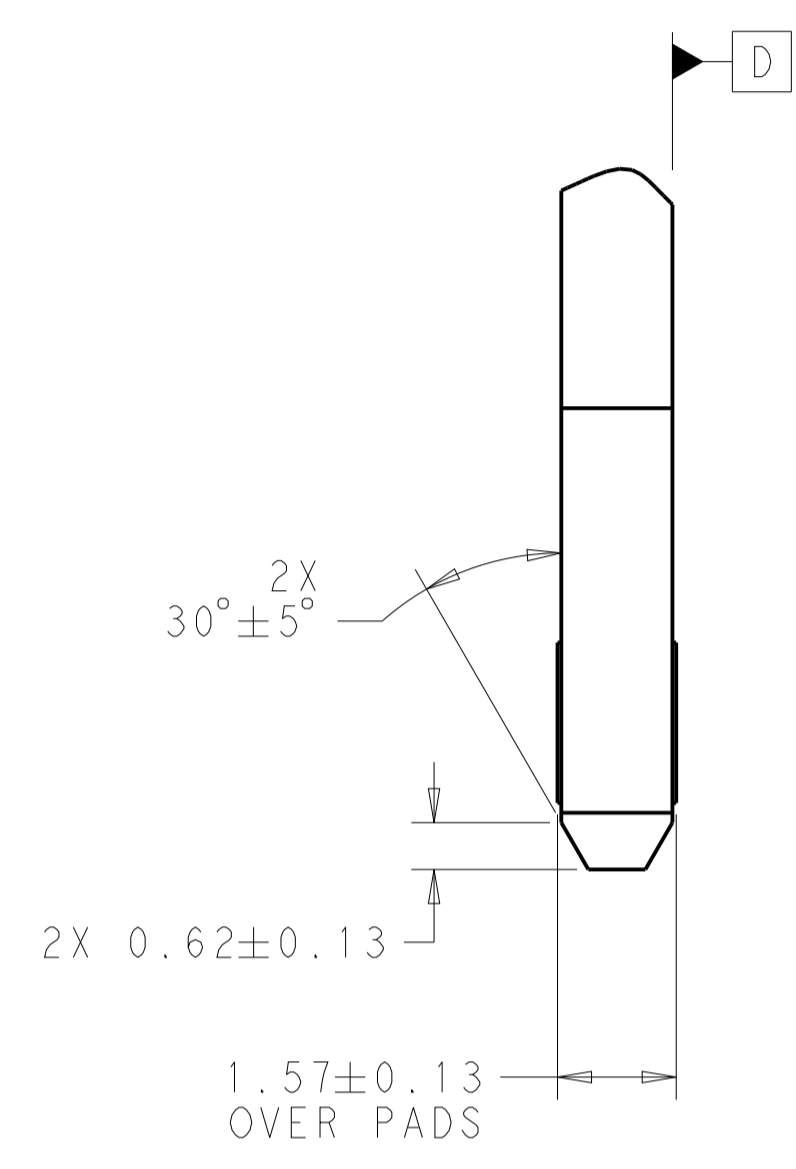
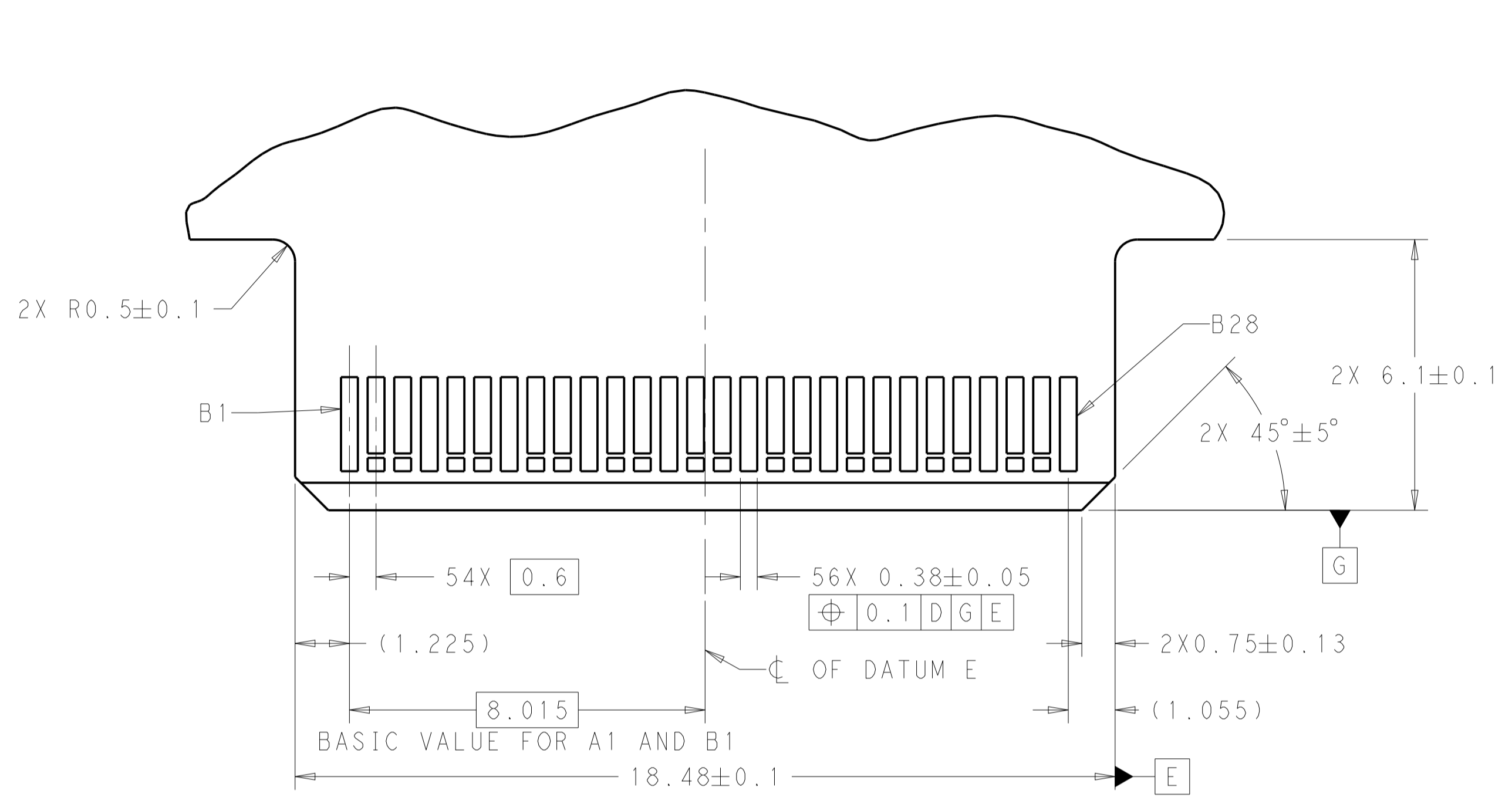
| | | | |
|--|-------------|------------------------------|--|
| THIS DRAWING IS A CONTROLLED DOCUMENT. | | OWN: C. VALENTINE 16JAN2018 | TE Connectivity |
| DIMENSIONS: mm | | CHK: D. HARMON 16JAN2018 | |
| TOLERANCES UNLESS OTHERWISE SPECIFIED: | | APVD: D. HARMON 16JAN2018 | NAME: RECEPTACLE ASSEMBLY, VERTICAL, 56 POSITION, SLIVER 2.0 |
| 0 PLC ± | 1 PLC ±0.25 | PRODUCT SPEC: 108-130021 | SIZE: CAGE CODE DRAWING NO. RESTRICTED TO |
| 2 PLC ±0.20 | 3 PLC ± | APPLICATION SPEC: 114-130008 | A100779C=2327679 |
| 4 PLC ± | ANGLES ± | WEIGHT: - | SCALE: 10:1 SHEET 1 OF 4 REV C |
| MATERIAL: ⚠ | FINISH: ⚠ | CUSTOMER DRAWING | |

| REVISIONS | | | | |
|-----------|-----|-------------|------|------|
| P. | LTN | DESCRIPTION | DATE | APVD |
| - | - | SEE SHEET 1 | - | - |
| | | | | |
| | | | | |

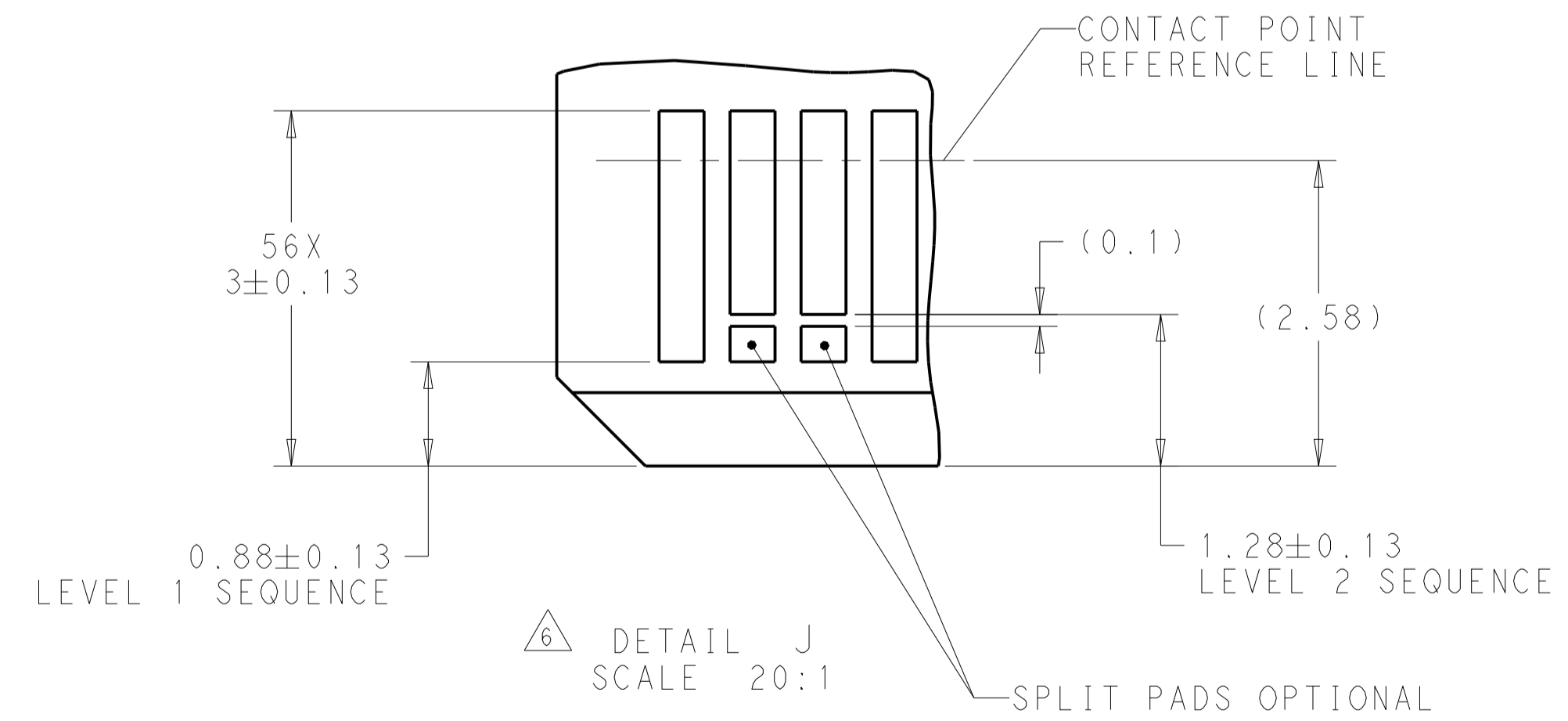


| | | | |
|--|---|--|---|
| THIS DRAWING IS A CONTROLLED DOCUMENT. | | DWN: C. VALENTINE 16 JAN 2018 CHK: D. HARMON 16 JAN 2018 APVD: D. HARMON 16 JAN 2018 | TE Connectivity |
| DIMENSIONS: mm | TOLERANCES UNLESS OTHERWISE SPECIFIED: 0 PLC ± 1 PLC ±0.25 2 PLC ±0.20 3 PLC ± 4 PLC ± ANGLES ± | NAME: RECEPTACLE ASSEMBLY, VERTICAL, 56 POSITION, SLIVER 2.0 PRODUCT SPEC: 108-130021 APPLICATION SPEC: 114-130008 | SIZE: A CAGE CODE: 100779 DRAWING NO: 2327679 |
| MATERIAL: | FINISH: | WEIGHT: | RESTRICTED TO: |
| CUSTOMER DRAWING | | SCALE: 10:1 | SHEET 2 OF 4 REV C |

| REVISIONS | | | | |
|-----------|------|-------------|------|-------|
| P. | LTN. | DESCRIPTION | DATE | APVD. |
| - | - | SEE SHEET 1 | - | - |
| | | | | |
| | | | | |



RECOMMENDED PCB OUTLINE DIMENSIONS.
TOLERANCE VALUES ARE CRITICAL. PLEASE BE SURE TO DESIGNATE TOLERANCES TO PCB SUPPLIER TO ENSURE OPTIMIZED FUNCTIONALITY.



DETAIL J
SCALE 20:1

| | | | |
|--|-------|------------------------------------|---|
| THIS DRAWING IS A CONTROLLED DOCUMENT. | | DWN C. VALENTINE 16 JAN 2018 | TE Connectivity |
| DIMENSIONS: mm | | CHK D. HARMON 16 JAN 2018 | |
| TOLERANCES UNLESS OTHERWISE SPECIFIED: | | APVD D. HARMON 16 JAN 2018 | NAME RECEPTACLE ASSEMBLY, VERTICAL, 56 POSITION, SLIVER 2.0 |
| 0 PLC | ± | PRODUCT SPEC | SIZE 108-130021 |
| 1 PLC | ±0.25 | APPLICATION SPEC | CAGE CODE 114-130008 |
| 2 PLC | ±0.20 | WEIGHT | SCALE 10:1 |
| 3 PLC | ± | CUSTOMER DRAWING | SHEET 3 OF 4 |
| 4 PLC | ± | RESTRICTED TO | REV C |
| ANGLES | ± | | |
| FINISH | ± | | |

| REVISIONS | | | | |
|-----------|-----|-------------|------|------|
| P. | LTN | DESCRIPTION | DATE | APVD |
| - | - | SEE SHEET 1 | - | - |
| | | | | |
| | | | | |

TABLE 1: CONNECTOR CONTACT IDENTIFICATION 

| CONTACT NUMBER | SIDE A | SIDE B |
|----------------|--------|--------|
| 1 | GROUND | GROUND |
| 2 | SIGNAL | SIGNAL |
| 3 | SIGNAL | SIGNAL |
| 4 | GROUND | GROUND |
| 5 | SIGNAL | SIGNAL |
| 6 | SIGNAL | SIGNAL |
| 7 | GROUND | GROUND |
| 8 | SIGNAL | SIGNAL |
| 9 | SIGNAL | SIGNAL |
| 10 | GROUND | GROUND |
| 11 | SIGNAL | SIGNAL |
| 12 | SIGNAL | SIGNAL |
| 13 | GROUND | GROUND |
| 14 | SIGNAL | SIGNAL |
| 15 | SIGNAL | SIGNAL |
| 16 | GROUND | GROUND |
| 17 | SIGNAL | SIGNAL |
| 18 | SIGNAL | SIGNAL |
| 19 | GROUND | GROUND |
| 20 | SIGNAL | SIGNAL |
| 21 | SIGNAL | SIGNAL |
| 22 | GROUND | GROUND |
| 23 | SIGNAL | SIGNAL |
| 24 | SIGNAL | SIGNAL |
| 25 | GROUND | GROUND |
| 26 | SIGNAL | SIGNAL |
| 27 | SIGNAL | SIGNAL |
| 28 | GROUND | GROUND |

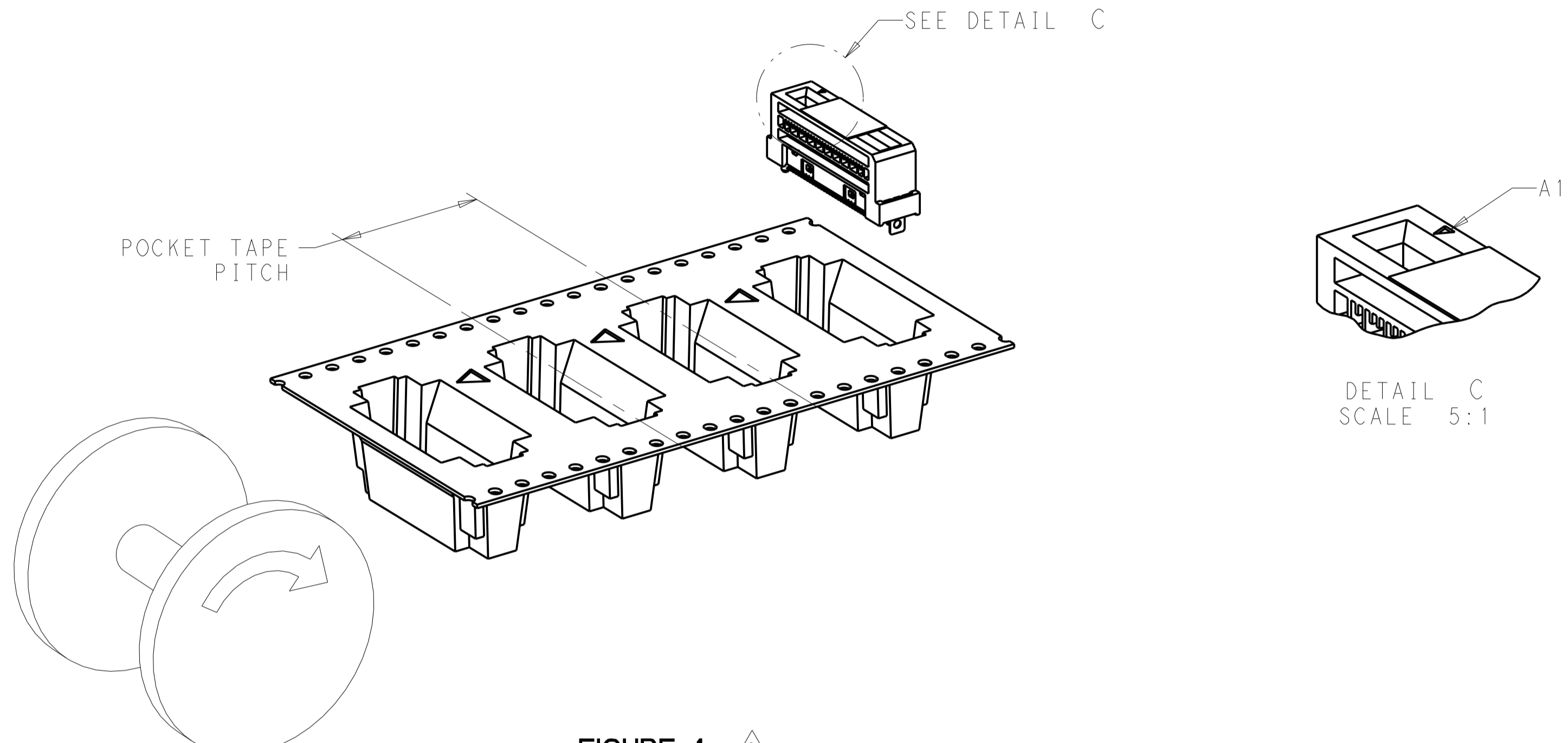

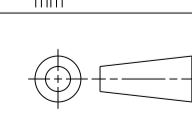


FIGURE 1 
 DIRECTION OFF TOP OF REEL
 FOR USER UNREELING
 SHOWN AS 2327679-1 THRU 2327679-9
 AND 2-2327679-0
 SCALE 2:1

| | | | | | | |
|---------|---------------|-------------------|---------------|---------------------|---------------|-------------|
| 1.8±0.1 | 0.76µm Au | 24 | 250 | YES | 200 | 3-2327679-0 |
| 3.7±0.1 | 0.76µm Au | 20 | 250 | YES | 200 | 2-2327679-0 |
| 3±0.1 | 0.76µm Au | 24 | 200 | NO | 200 | 1-2327679-9 |
| | 0.38µm Au | | | | 100 | 1-2327679-8 |
| | FLASH Au/PdNi | | | | 50 | 1-2327679-7 |
| 1.2±0.1 | 0.76µm Au | 24 | 250 | NO | 200 | 1-2327679-6 |
| | 0.38µm Au | | | | 100 | 1-2327679-5 |
| | FLASH Au/PdNi | | | | 50 | 1-2327679-4 |
| 1.8±0.1 | 0.76µm Au | 24 | 250 | NO | 200 | 1-2327679-3 |
| | 0.38µm Au | | | | 100 | 1-2327679-2 |
| | FLASH Au/PdNi | | | | 50 | 1-2327679-1 |
| 3±0.1 | 0.76µm Au | 20 | 250 | YES | 200 | 2327679-9 |
| | 0.38µm Au | | | | 100 | 2327679-8 |
| | FLASH Au/PdNi | | | | 50 | 2327679-7 |
| 1.2±0.1 | 0.76µm Au | 20 | 350 | YES | 200 | 2327679-6 |
| | 0.38µm Au | | | | 100 | 2327679-5 |
| | FLASH Au/PdNi | | | | 50 | 2327679-4 |
| 1.8±0.1 | 0.76µm Au | 20 | 350 | YES | 200 | 2327679-3 |
| | 0.38µm Au | | | | 100 | 2327679-2 |
| | FLASH Au/PdNi | | | | 50 | 2327679-1 |
| A | PLATING | POCKET TAPE PITCH | REEL QUANTITY | PICK AND PLACE TAPE | MATING CYCLES | PART NUMBER |

THIS DRAWING IS A CONTROLLED DOCUMENT. **STC** TE Connectivity

| | | | |
|--|---|---|---|
| DIMENSIONS: mm  | TOLERANCES UNLESS OTHERWISE SPECIFIED: 0 PLC ± 1 PLC ±0.25 2 PLC ±0.20 3 PLC ± 4 PLC ± ANGLES ± | DWG: C. VALENTINE 16JAN2018 CHK: D. HARMON 16JAN2018 APVD: D. HARMON 16JAN2018 PRODUCT SPEC: 108-130021 APPLICATION SPEC: 114-130008 WEIGHT: - CUSTOMER DRAWING | NAME: RECEPTACLE ASSEMBLY, VERTICAL, 56 POSITION, SLIVER 2.0 SIZE: A1 CAGE CODE: 00779 DRAWING NO: C=2327679 SCALE: 10:1 SHEET: 4 OF 4 REV: C |
|--|---|---|---|

单击下面可查看定价，库存，交付和生命周期等信息

[>>TE Connectivity\(泰科\)](#)