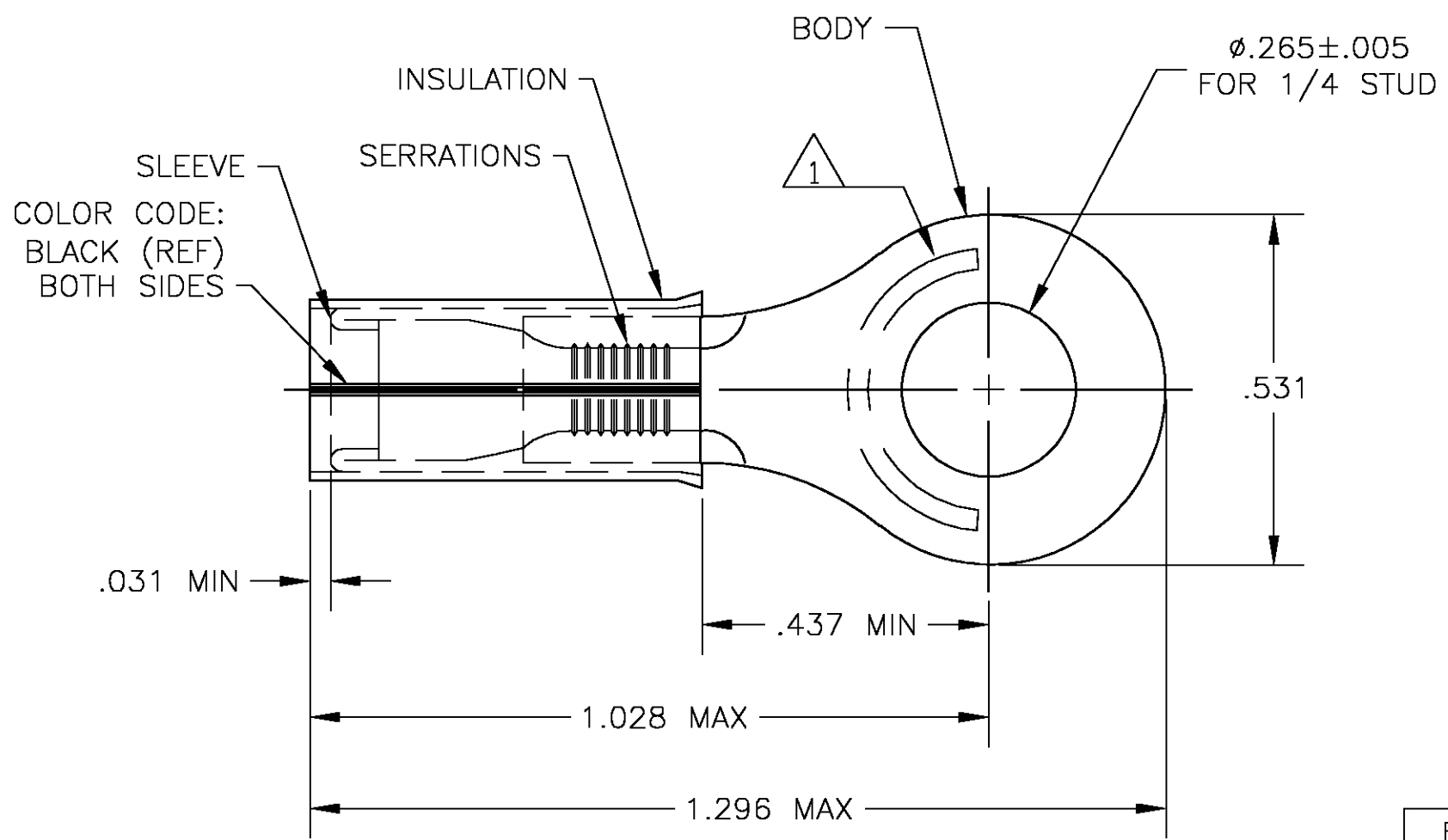


THIS DRAWING IS UNPUBLISHED. RELEASED FOR PUBLICATION
 © COPYRIGHT BY TYCO ELECTRONICS CORPORATION. ALL RIGHTS RESERVED.

LOC	DIST	REVISIONS			
P	LTR	DESCRIPTION	DATE	DWN	APVD
G	14	C	REV PER 0G3A-0582-04	14SEP04	JR TM

- 1 STAMP "AMP 16-14 HD*" LOCATED APPROX AS SHOWN.
- 2 TONGUE MATERIAL THK IS .050 MAX
- 3 FOR .230 MAX WIRE INSULATION DIA.



BODY & SLEEVE: COPPER PER ASTM B152 TIN LEAD (93-7) PLATE PER ASTM B545 (3% MIN LEAD CONTENT)	53984-1
INSULATION: PVF2, COLOR - NATURAL	
MATERIAL & FINISH	PART NO

THIS DRAWING IS A CONTROLLED DOCUMENT.		DWN jr_ruth 14SEP04	Tyco Electronics Corporation Harrisburg, PA 17105	
DIMENSIONS: INCHES		CHK T MICHELUTTI 14SEP04	NAME	
TOLERANCES UNLESS OTHERWISE SPECIFIED:		APVD T MICHELUTTI 14SEP04	WIRE TERMINAL PVF2 - PIDG - RING TONGUE WIRE SIZE : 16-14 HD	
0 PLC ± -		PRODUCT SPEC	SIZE	CAGE CODE
1 PLC ± -		APPLICATION SPEC	A3	00779
2 PLC ± -		WEIGHT	DRAWING NO	
3 PLC ± .008		CUSTOMER DRAWING	C-53984	
4 PLC ± -		SCALE	5:1	SHEET 1 OF 1
ANGLES ± 5'		RESTRICTED TO	REV C	
MATERIAL	FINISH			

单击下面可查看定价，库存，交付和生命周期等信息

[>>TE Connectivity\(泰科\)](#)