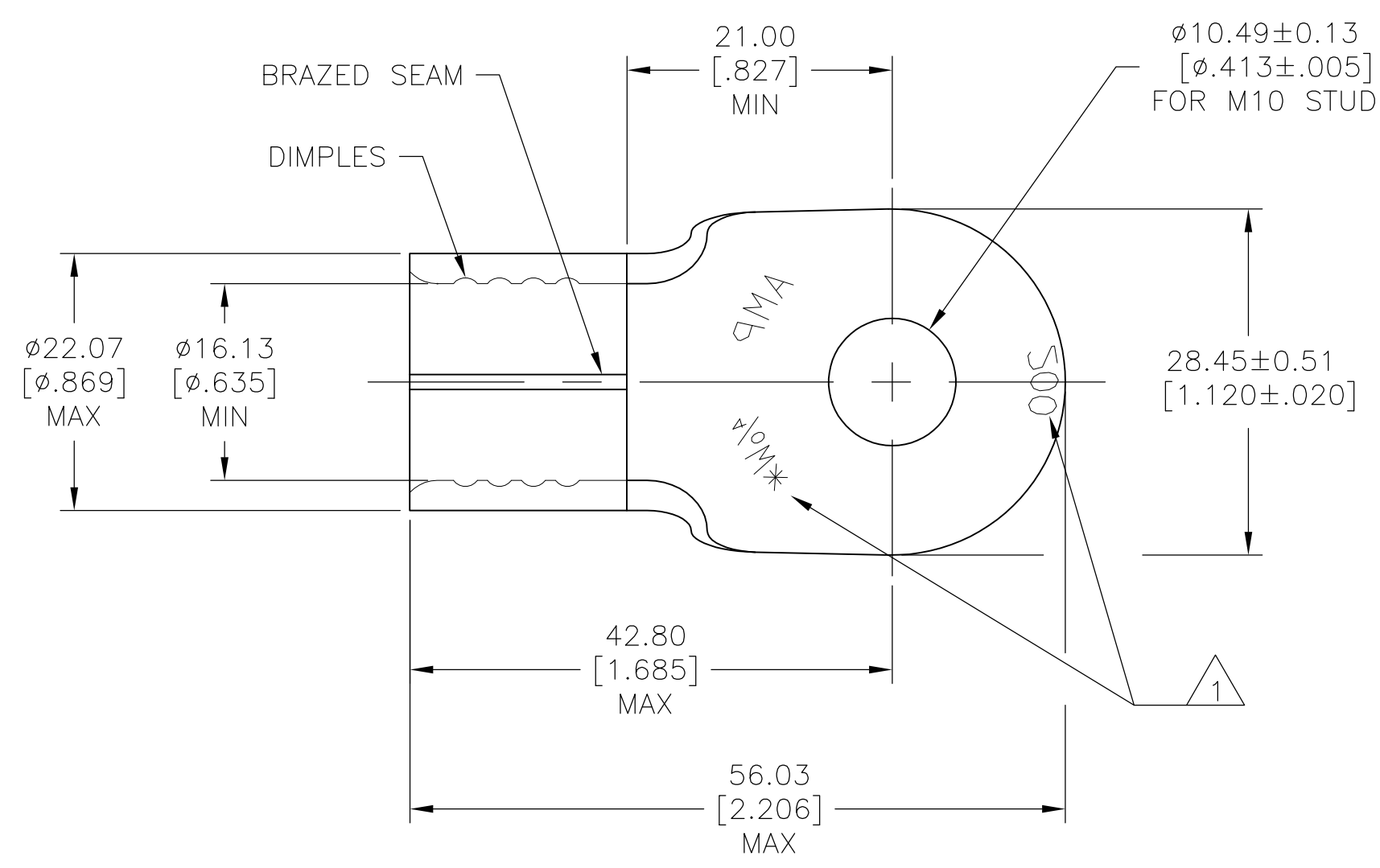


THIS DRAWING IS UNPUBLISHED. RELEASED FOR PUBLICATION
 © COPYRIGHT - By - ALL RIGHTS RESERVED.

LOC	DIST	REVISIONS					
G	02	P	LTR	DESCRIPTION	DATE	DWN	APVD
		A1		REDRAWN PER ECO-12-018155	20MAR2014	NK	DR

- 1 STAMP AMP 4/0 W* 200 APPROX AS SHOWN
- 2 MATERIAL THICKNESS 2.59±0.08[.102±.003]
- 3 MATERIAL: COPPER PER ASTM B152
- 4 FINISH: TIN PLATE PER ASTM B545



25	LOOSE PIECE	160129
QTY	PACKAGING	PART NUMBER

AMP INCORPORATED
CUSTOMER SERVICE SYSTEMS

FOR ADDITIONAL PRODUCT INFORMATION OR COPIES OF DRAWINGS AND TECHNICAL DOCUMENTS
 PRODUCT INFORMATION CENTER
 1-800-522-6752

FOR APPLICATION TOOLING INFORMATION
 TOOLING ASSISTANCE CENTER
 1-800-722-1111

FOR ORDER ENTRY
 1-800-526-5142

MAX RECOMMENDED OPERATING TEMPERATURE:
 170°C [338°F] MAX

VOLTAGE RATING:
 N/A

WIRE:
 96.3-117.0mm²[190,000-231,100]
 CIR MILLS
 SOLID OR STRANDED

THIS DRAWING IS A CONTROLLED DOCUMENT.

DIMENSIONS: mm [INCHES]

TOLERANCES UNLESS OTHERWISE SPECIFIED:

0 PLC	± -
1 PLC	± -
2 PLC	± -
3 PLC	± 0.13[.005]
4 PLC	± -
ANGLES	± 5°

MATERIAL: 3

FINISH: 4

DWN KIRAN HOLAL 29JAN13
 CHK ROHDE DANIEL 29JAN13
 APVD ROHDE DANIEL 29JAN13

PRODUCT SPEC: -
 APPLICATION SPEC: -
 WEIGHT: -

STE TE Connectivity

NAME: RING TONGUE, SOLISTRAND WIRE SIZE 4/0

SIZE	CAGE CODE	DRAWING NO	RESTRICTED TO
A3	00779	C-160129	-

CUSTOMER DRAWING SCALE 2:1 SHEET 1 OF 1 REV A1

单击下面可查看定价，库存，交付和生命周期等信息

[>>TE Connectivity\(泰科\)](#)