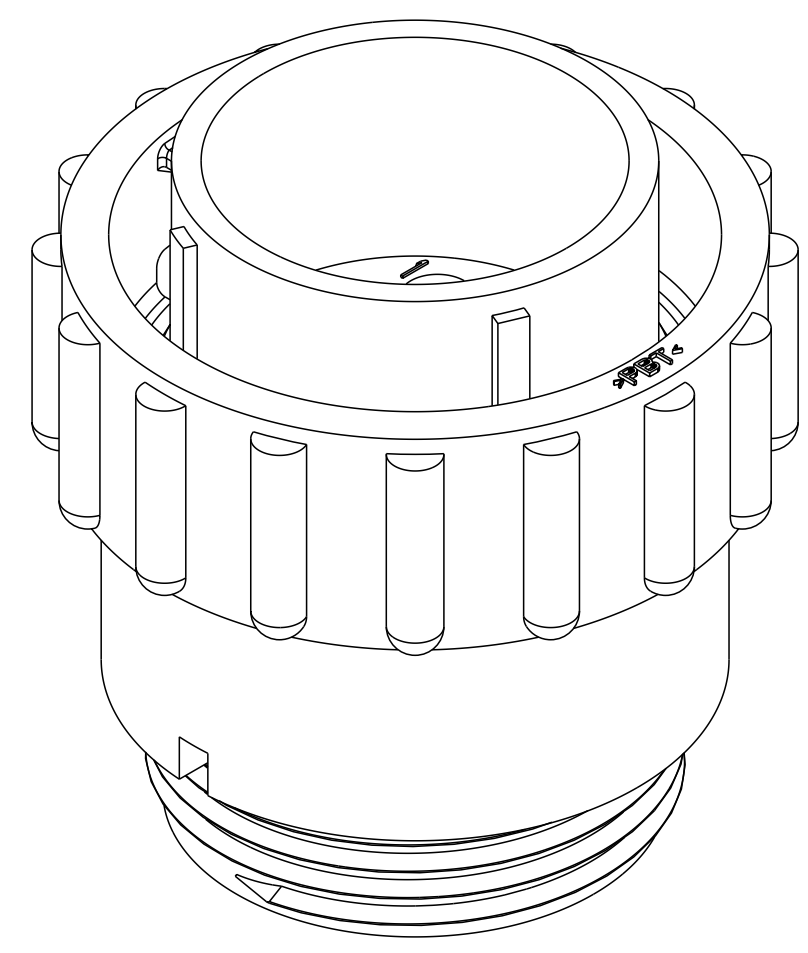
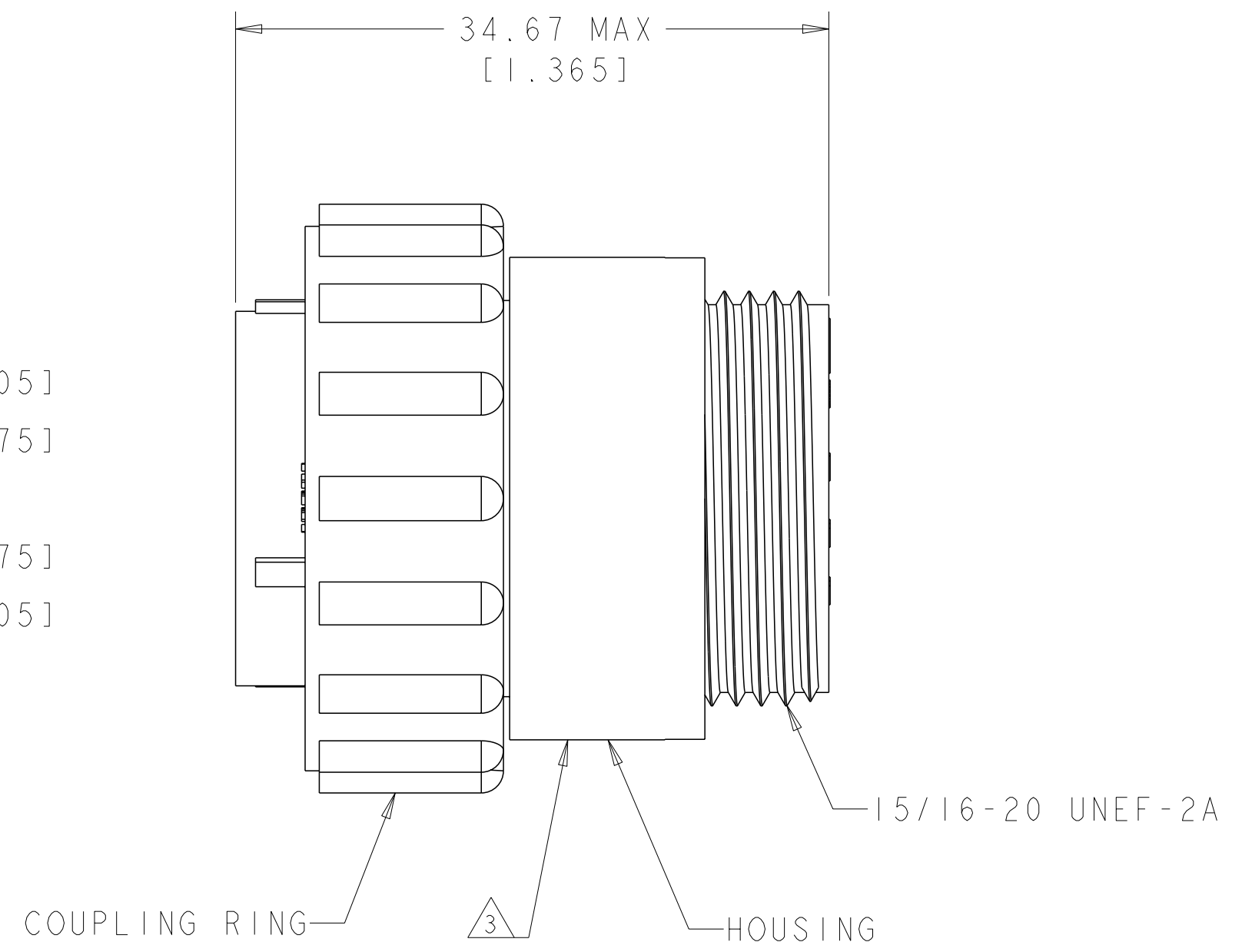
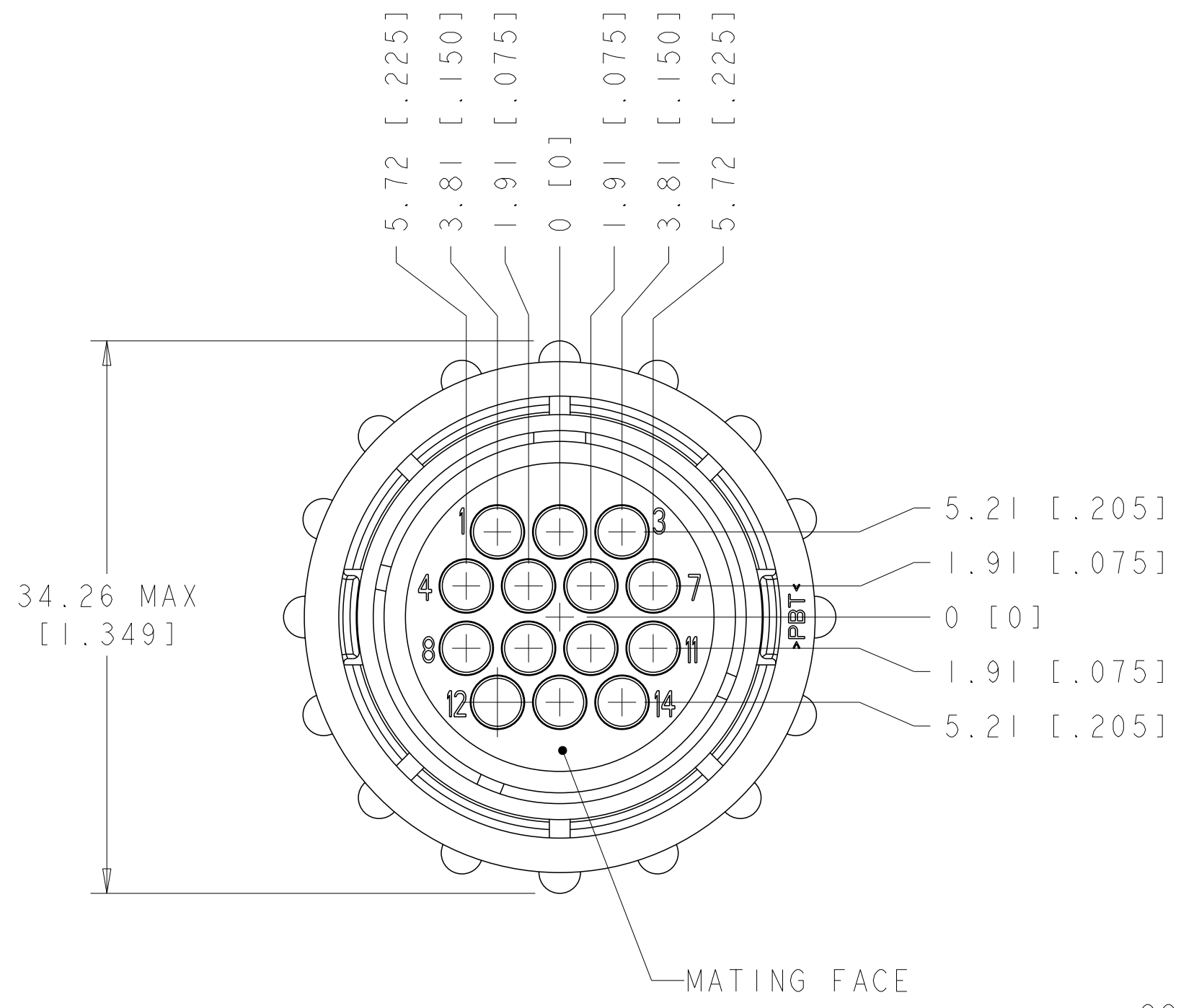


© 2021 TE Connectivity. All Rights Reserved.

REVISIONS				
P	LTR	DESCRIPTION	DATE	APVD
B		REVISED PER ECO-21-006943	18OCT2021	RK MZ



- 1 HOUSING: NYLON, BLACK
COUPLING RING: POLYESTER, BLACK.
- 2. WILL ACCEPT (14) MULTIMATE PIN CONTACTS.
- 3 TE LOGO AND PART NUMBER LOCATED ANYWHERE ON THIS SURFACE.

796449-1
PART NUMBER

THIS DRAWING IS A CONTROLLED DOCUMENT.		DWN S. WELDON 06APR100			
DIMENSIONS: mm [INCHES]		CHK M. CHACKO 06APR100			
TOLERANCES UNLESS OTHERWISE SPECIFIED:		APVD M. CHACKO 06APR100			
0 PLC ±	1 PLC ±	2 PLC ±0.02	3 PLC ±	4 PLC ±	NAME PLUG ASSEMBLY, SIZE 17-14, REVERSE SEX, CPC
MATERIAL		FINISH	APPLICATION SPEC	SIZE A200779	CAGE CODE C-796449
CUSTOMER DRAWING		SCALE 3:1	SHEET 1 OF 1	REV B	RESTRICTED TO

Printed on 18 Oct 2021 09:00 (India Standard Time) from FR019765

单击下面可查看定价，库存，交付和生命周期等信息

[>>TE Connectivity\(泰科\)](#)