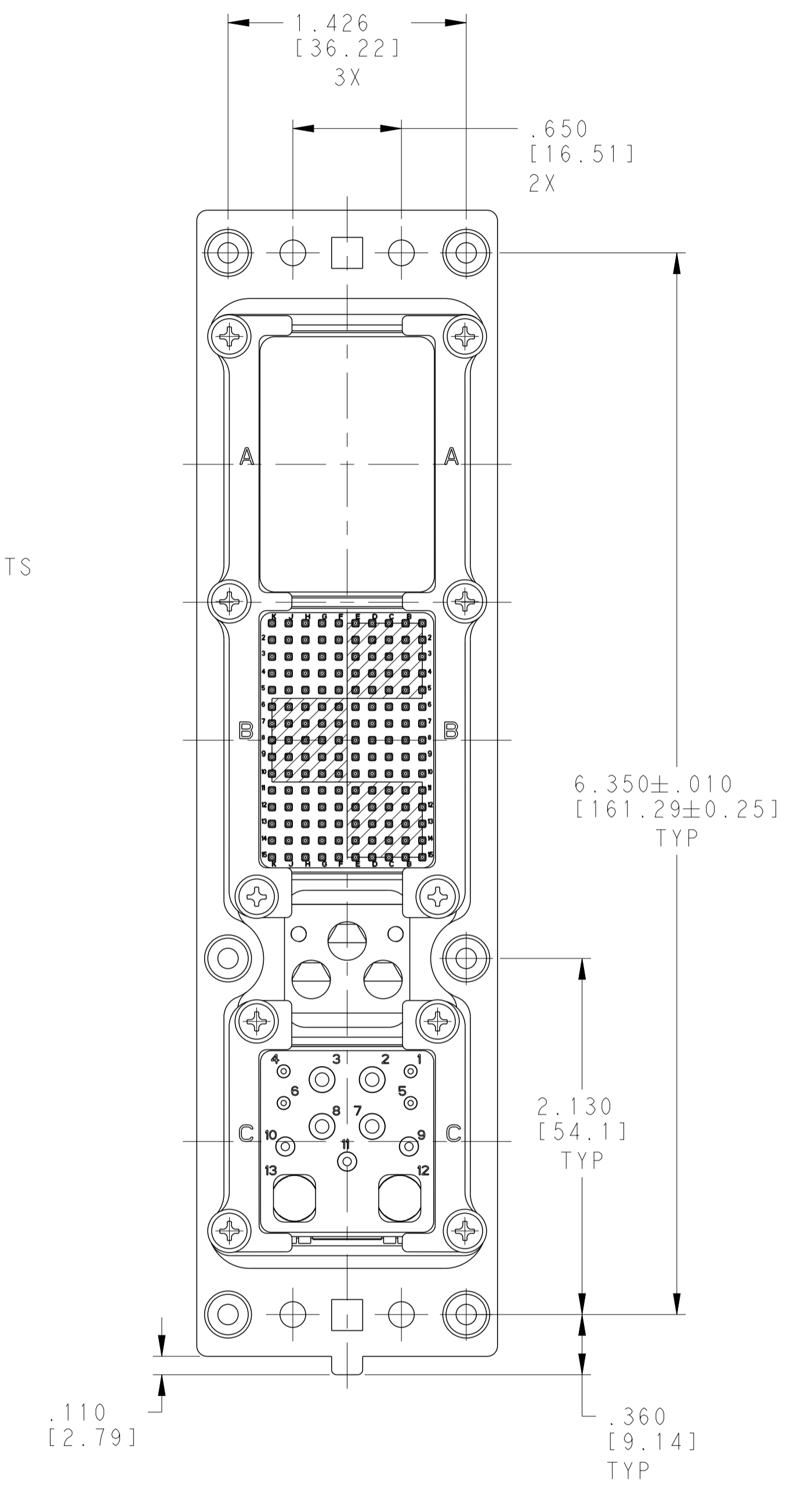
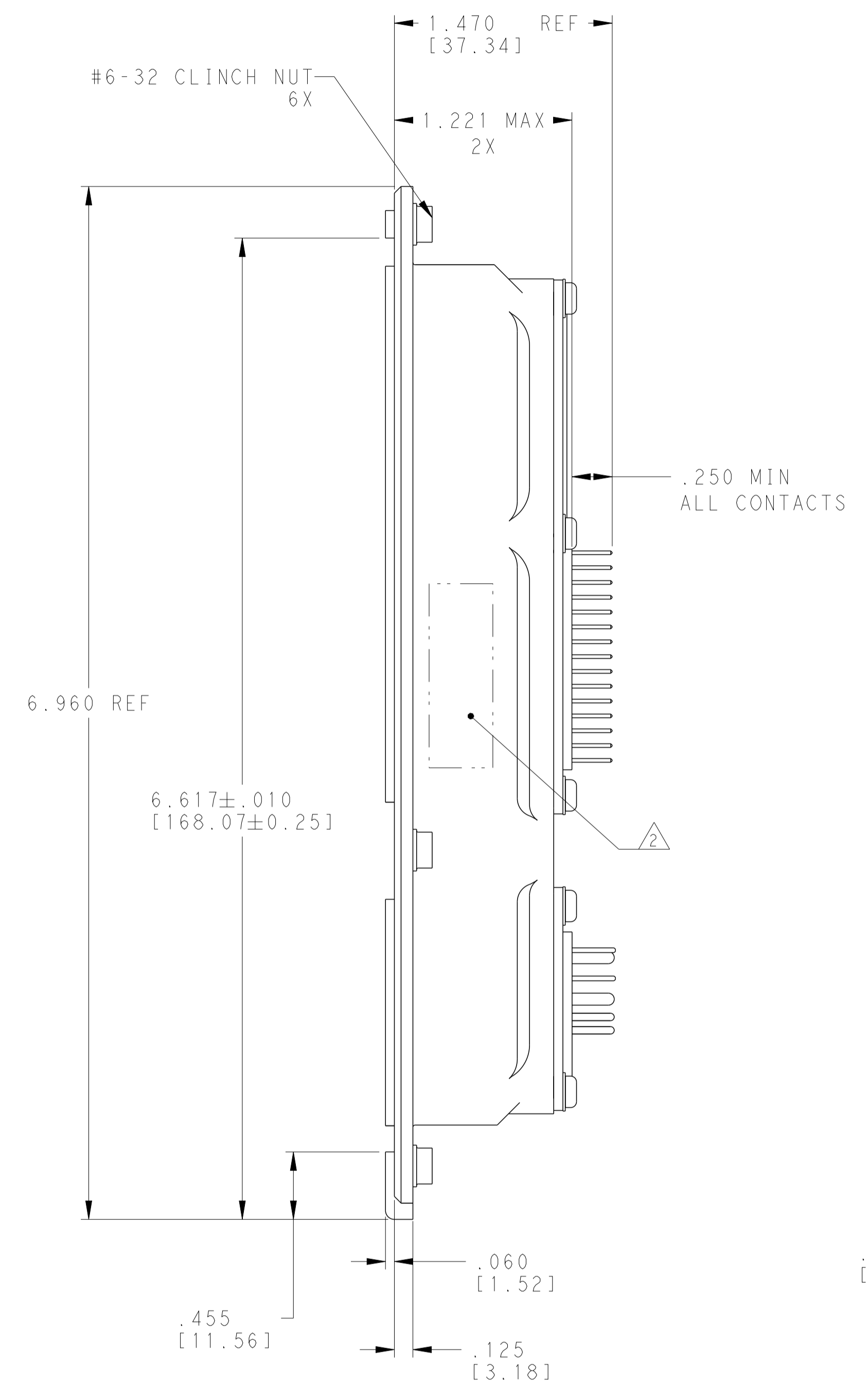
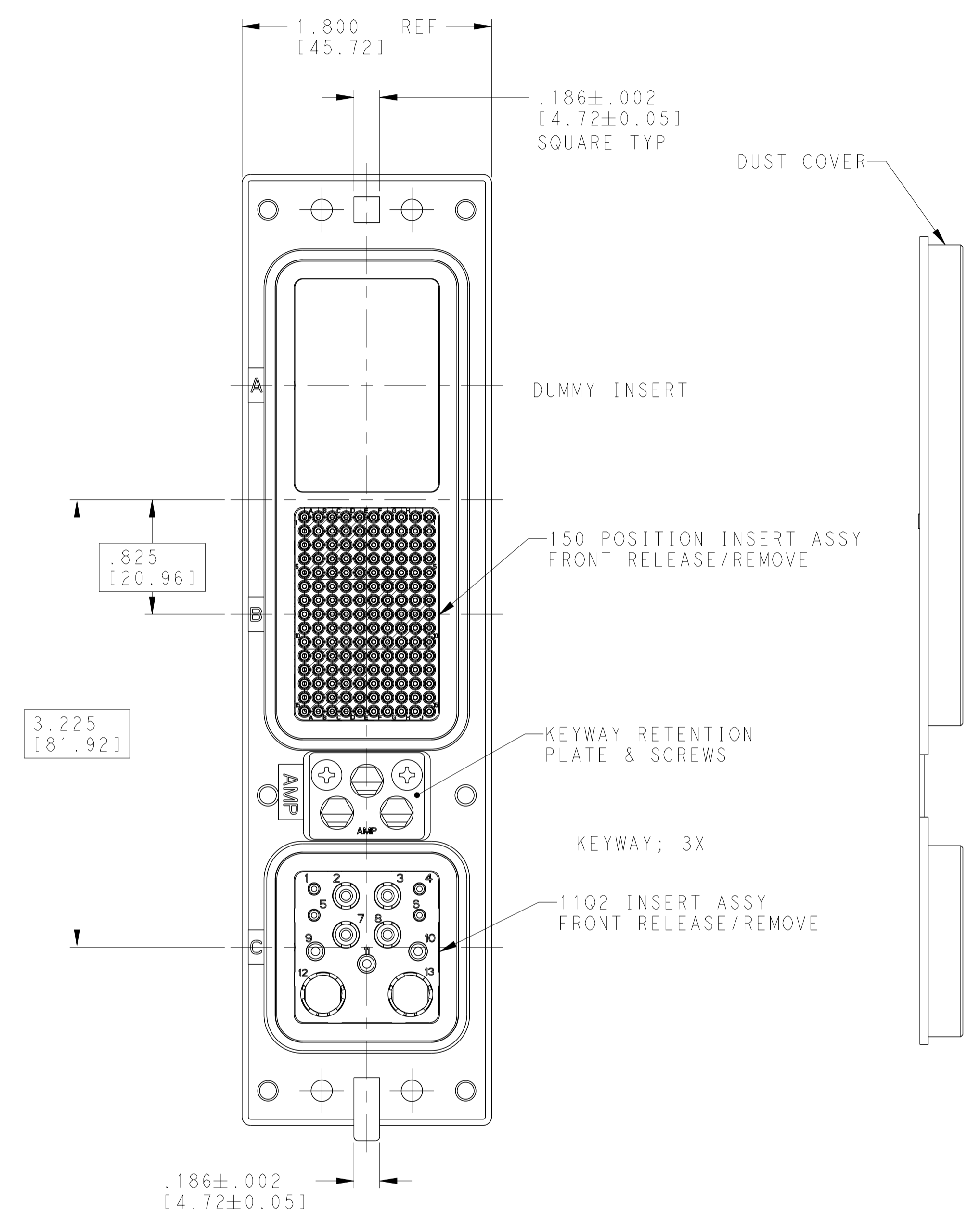


REVISIONS				
P	LTN	DESCRIPTION	DATE	APVD
C		REV PER ECO 14-009912	7-7-14	CT WB
D		REVISED PER ECO-14-018872	14JAN15	MGM CT



- 1 ASSEMBLED CONNECTOR FEATURES COMPLY WITH ARINC 600 SPECIFICATION EXCEPT AS NOTED.
- 2 MANUFACTURER'S PART NO. AND DATE CODE (YY-WW) MARKED IN AREA SHOWN.
- 3. KEYING SHOWN IN POSITION "01" FOR REFERENCE ONLY. SEE TABLE FOR KEYING POSITION. FOR POSITION "00" KEYING SHIPPED UNASSEMBLED.
- 4. THE FOLLOWING CONTACTS ARE INCLUDED AND INSTALLED:
 SIZE 22 POSTED SOCKET CONTACT; TE PART NO. 211431-4; QTY = 150
 SIZE 20 POSTED PIN CONTACT; TE PART NO. 1-448138-5; QTY = 4
 SIZE 16 POSTED PIN CONTACT; TE PART NO. 1-448139-1; QTY = 3
 SIZE 12 POSTED PIN CONTACT; TE PART NO. 448140-3; QTY = 4
- 5. CONNECTOR IS SUPPLIED WITH A DUST COVER INSTALLED FOR SHIPPING.

DESCRIPTION	KEYING POSITION	PART NO.
WITH STAMP & FORMED SZ 22 NON-REMOVABLE CONTACTS SEE SHEET #2	"00"	2221808-2
WITH STD SZ 22 REMOVABLE CONTACTS SEE SHEET #1	"00"	2221808-1

THIS DRAWING IS A CONTROLLED DOCUMENT.

OWN: C.C. THOMAS 1-29-14
 CHK: W. BERNHART 1-29-14
 APVD: W. BERNHART 1-29-14

DIMENSIONS: [INCHES(mm)]
 TOLERANCES UNLESS OTHERWISE SPECIFIED:
 0 PLC ±
 1 PLC ±
 2 PLC ±
 3 PLC ±.005 (0.13)
 4 PLC ±
 ANGLES ±
 FINISH ±

MATERIAL: -
 FINISH: -

WEIGHT: -
 Customer Drawing

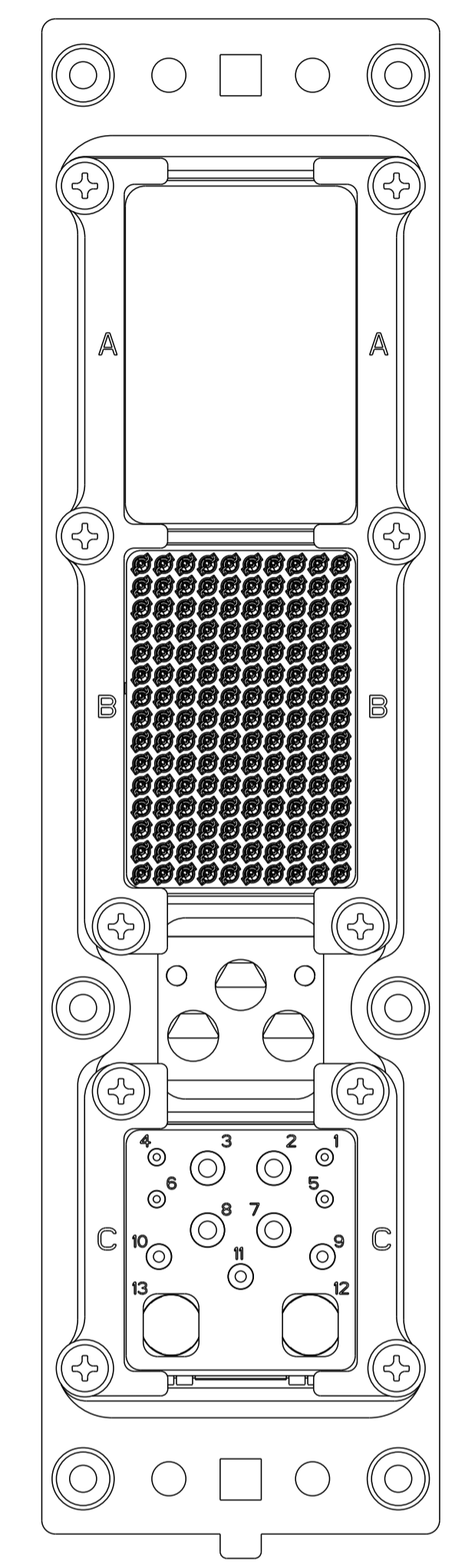
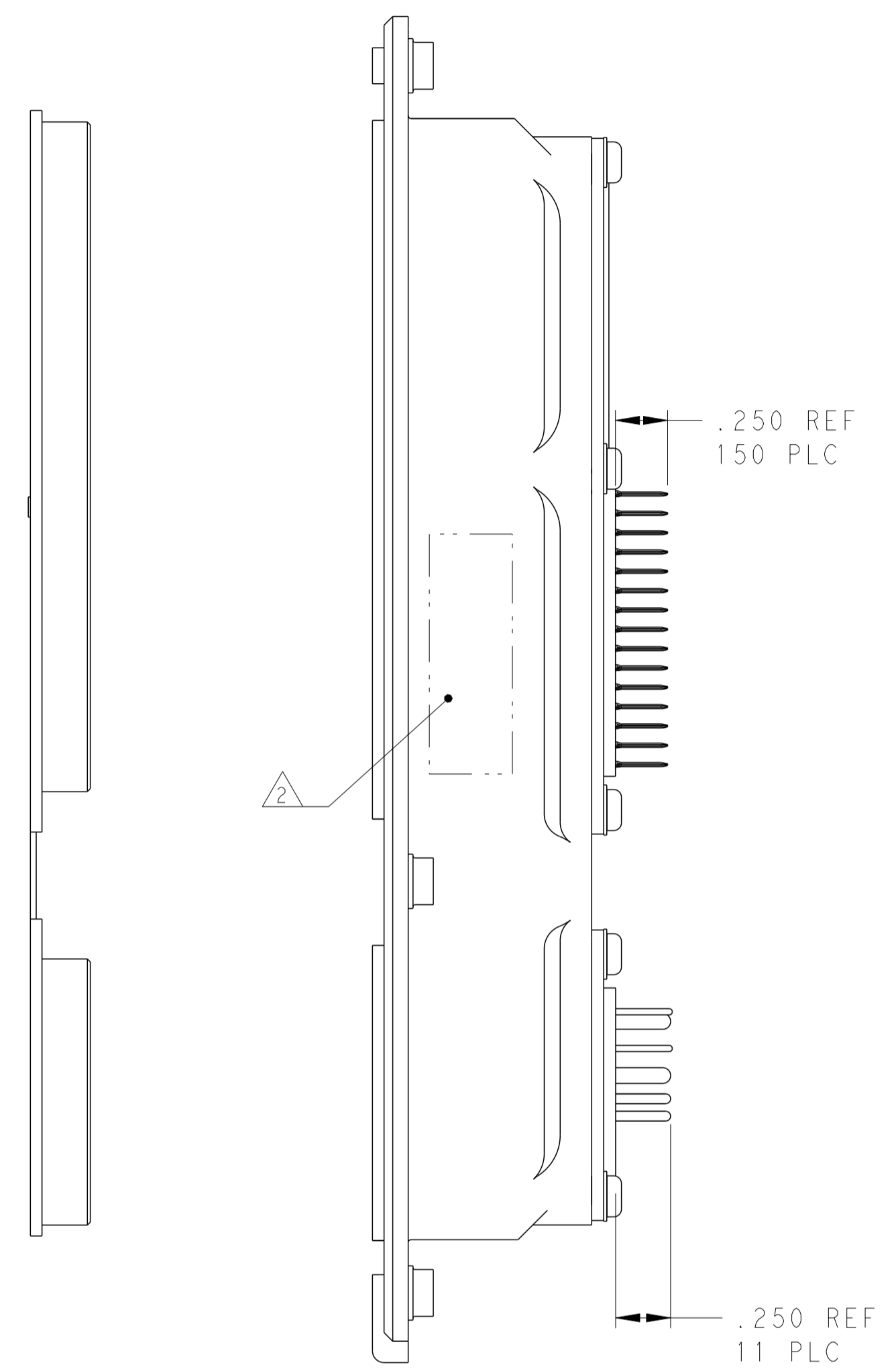
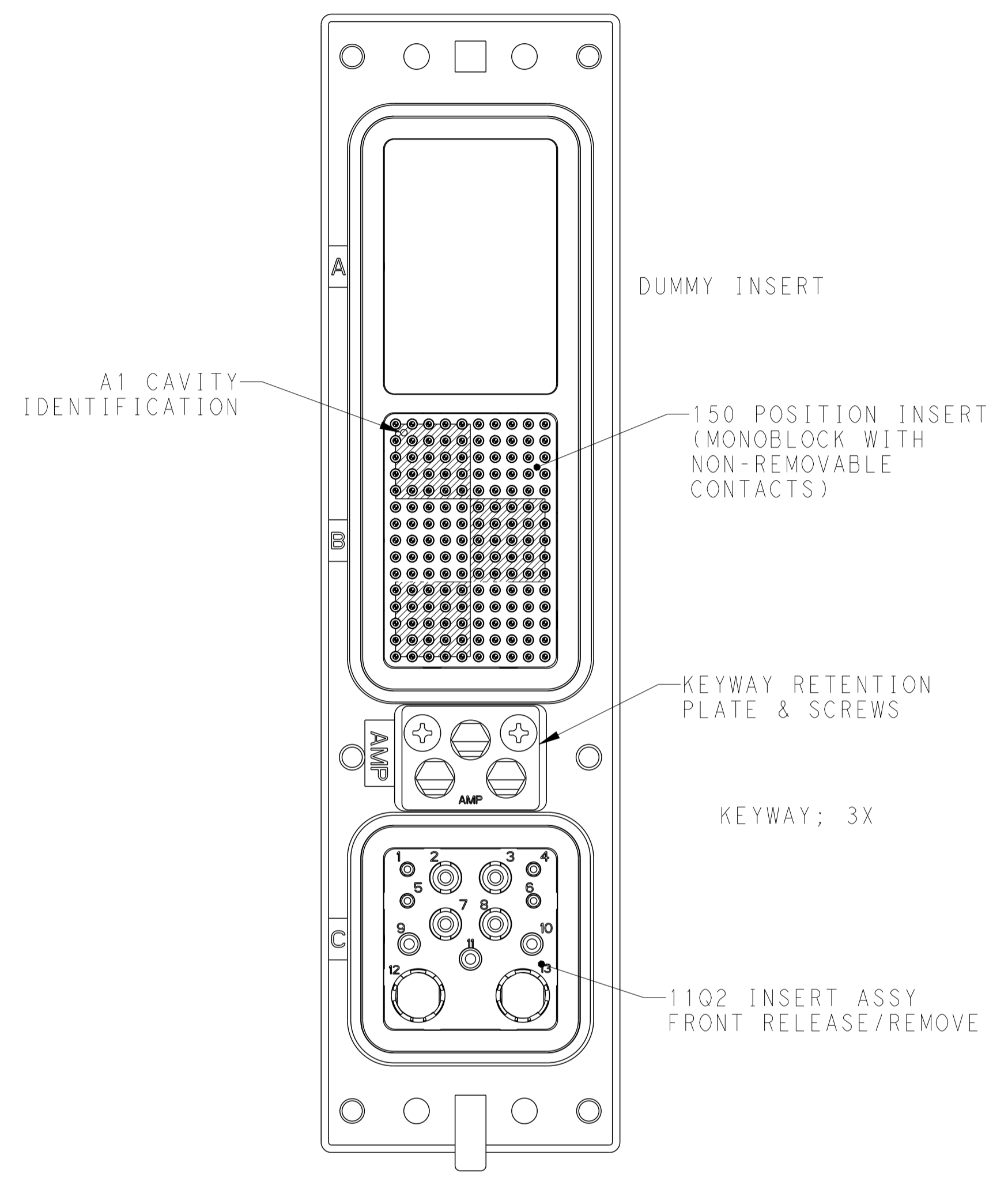
SCALE: 3:2 SHEET 1 OF 2 REV D

TE Connectivity
 RECEPTACLE ASSEMBLY, SIZE 2, ARINC 600, (BLANK/150/11Q2)

SIZE: A100779 C=2221808

REVISIONS				
P	LTN	DESCRIPTION	DATE	APVD
-	-	SEE SHEET 1	-	-

DIMENSIONS SAME AS -1
EXCEPT AS SHOWN



COMPONENT	MATERIAL	FINISH	REMARKS
SIZE 22 STAMPED AND FORMED SOCKET CONTACTS QTY = 150 (-2 ONLY)	BODY: COPPER ALLOY HOOD: STAINLESS STEEL	BODY: .000050 [0.00127] MIN GOLD ON MATING TINES, SnPb ON TAIL, BOTH OVER NICKEL PLATE HOOD: PASSIVATED	NON REMOVEABLE (150 POSN. INSERT)
150 POSITION INSERT (-2 ONLY)	THERMOPLASTIC	NONE	ONE PIECE DESIGN WITH NON-REMOVABLE CONTACTS
11Q2 POSITION INSERT	THERMOSET	--	ALL FRONT RELEASE/REMOVE
POLARIZATION KEYWAY	ZINC ALLOY PER ASTM-B-86	--	--
KEYWAY RETAINER PLATE	ALUMINUM ALLOY	BLUE ANODIZED PER MIL-A-8625	--
#6-32 CLINCH NUT QTY = 6	STEEL	CADMIUM PLATED WITH SUPP YELLOW CHROMATE	--
SHELL	ALUMINUM ALLOY PER ASTM-B-85	ELECTROLESS NICKEL PER MIL-C-26074 CLASS 4, GRADE B	--
RETENTION PLATES	ALUMINUM ALLOY PER ASTM-B-209	--	--

- 1. ASSEMBLED CONNECTOR FEATURES COMPLY WITH ARINC 600 SPECIFICATION EXCEPT AS NOTED.
- 2. MANUFACTURER'S PART NO. AND DATE CODE (YY-WW) MARKED IN AREA SHOWN.
- 3. KEYING SHOWN IN POSITION "01" FOR REFERENCE ONLY. SEE TABLE FOR KEYING POSITION. FOR POSITION "00" KEYING SHIPPED UNASSEMBLED.
- 4. THE FOLLOWING CONTACTS FOR THE 11Q2 POSITION INSERT ARE INCLUDED AND INSTALLED:
 SIZE 20 POSTED PIN CONTACT; TE PART NO. 1-448138-5; QTY = 4
 SIZE 16 POSTED PIN CONTACT; TE PART NO. 1-448139-1; QTY = 3
 SIZE 12 POSTED PIN CONTACT; TE PART NO. 448140-3; QTY = 4
- 5. CONNECTOR IS SUPPLIED WITH A DUST COVER INSTALLED FOR SHIPPING.

THIS DRAWING IS A CONTROLLED DOCUMENT.

DIMENSIONS: [INCHES(mm)]	TOLERANCES UNLESS OTHERWISE SPECIFIED:	DWN C.C. THOMAS 1-29-14	CHK W. BERNHART 1-29-14	TE Connectivity NAME RECEPTACLE ASSEMBLY, SIZE 2, ARINC 600, (BLANK/150/11Q2) PRODUCT SPEC - APPLICATION SPEC -
0 PLC ± 1 PLC ± 2 PLC ± 3 PLC ±.005 (0.13) 4 PLC ± ANGLES ±	MATERIAL - FINISH -	APVD W. BERNHART 1-29-14	SIZE A1 CAGE CODE 00779 DRAWING NO. C=2221808 WEIGHT - Customer Drawing	

单击下面可查看定价，库存，交付和生命周期等信息

[>>TE Connectivity\(泰科\)](#)