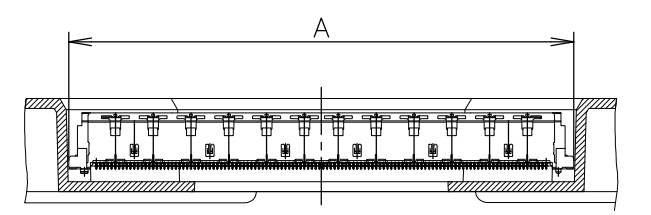
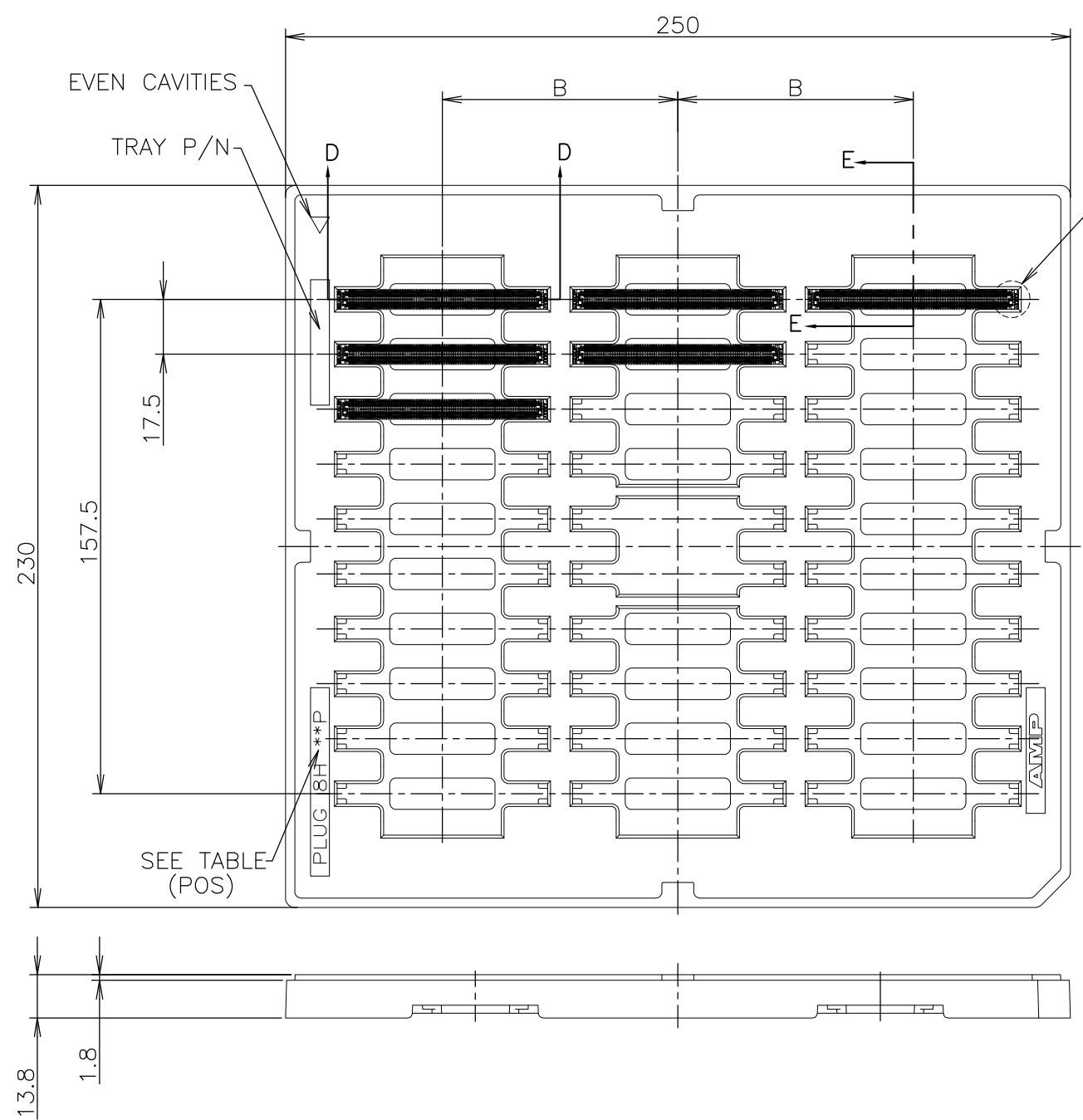
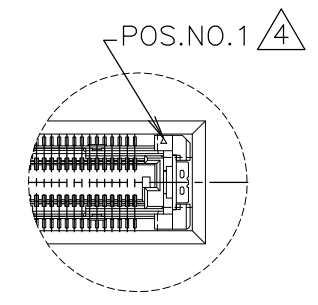


THIS DRAWING IS UNPUBLISHED. RELEASED FOR PUBLICATION - .2006.
 © COPYRIGHT 2006 By - ALL RIGHTS RESERVED.

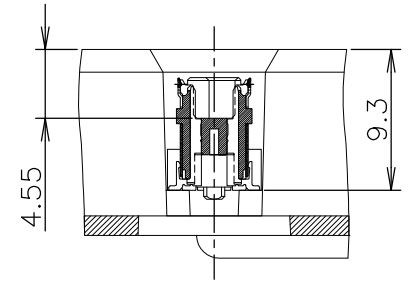
LOC	DIST	REVISIONS			
P	LTR	DESCRIPTION	DATE	DWN	APVD
J	/				
	D	REVISED PER ECR-13-006361	15APR13	I.T	S.Y



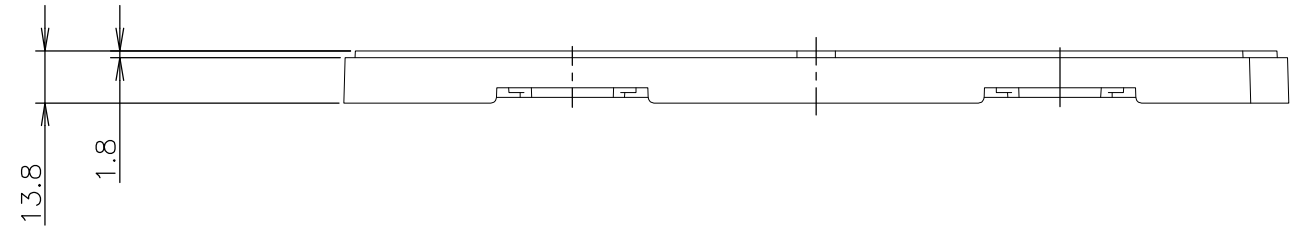
SECT. D-D
(SCALE 2:1)
(CONNECTOR NOT SECTION)



DETAIL C
(SCALE 2:1)



SECT. E-E
(SCALE 2:1)



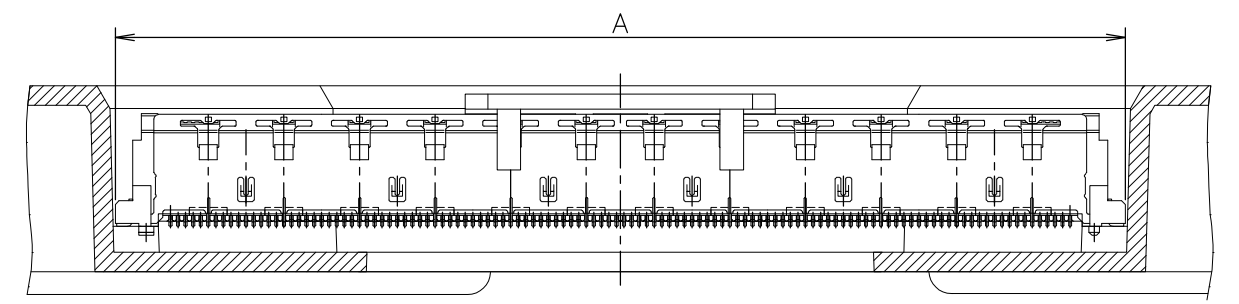
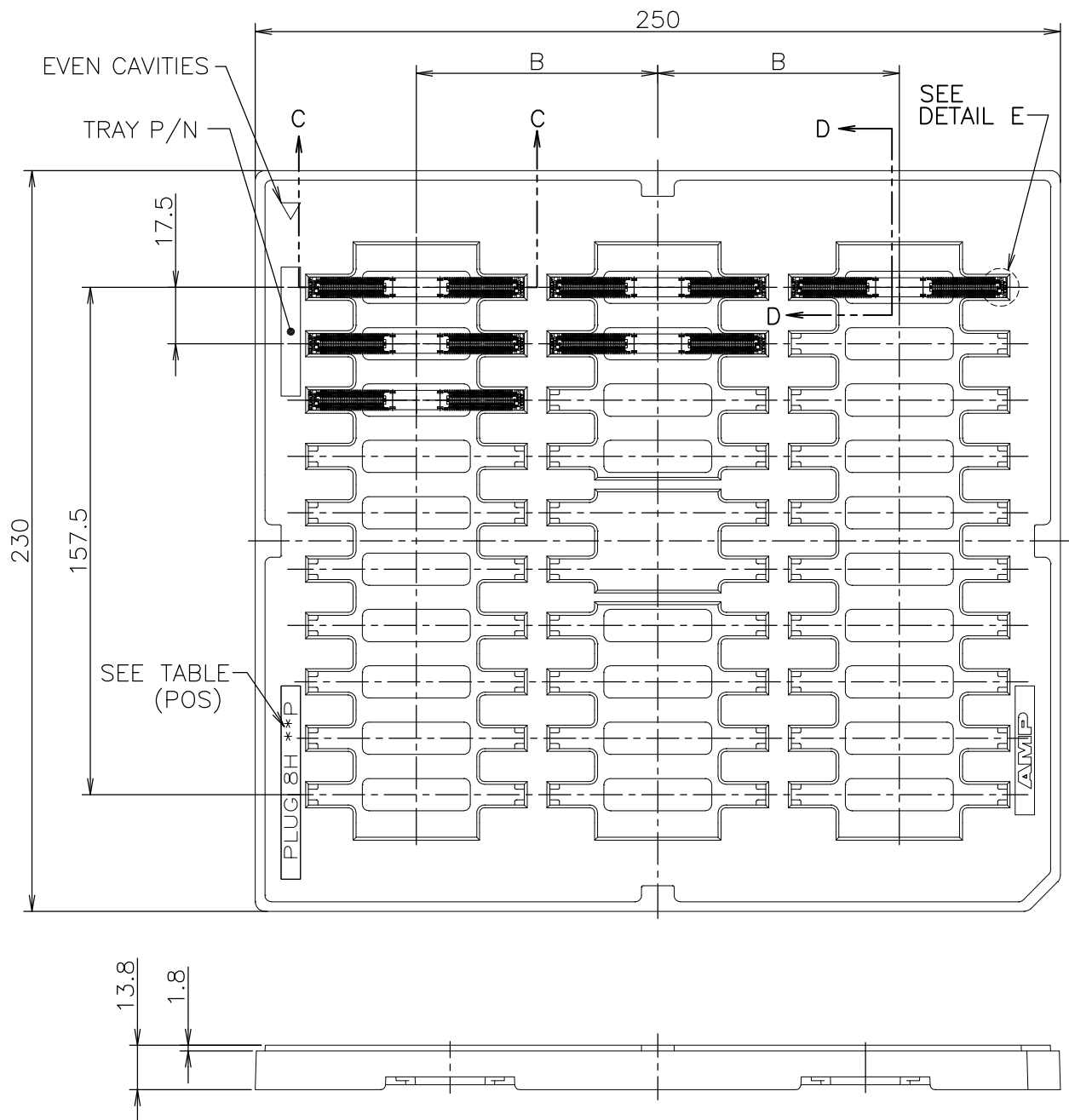
WITHOUT PICK UP CAP

YES/4	WITHOUT	3	30	75	61.8	220	8-1939756-6
NO	WITHOUT	3	30	75	61.8	220	3-1939756-6
SEALANT	CAP	ROW	QTY	B	A	POS.	PART NO.

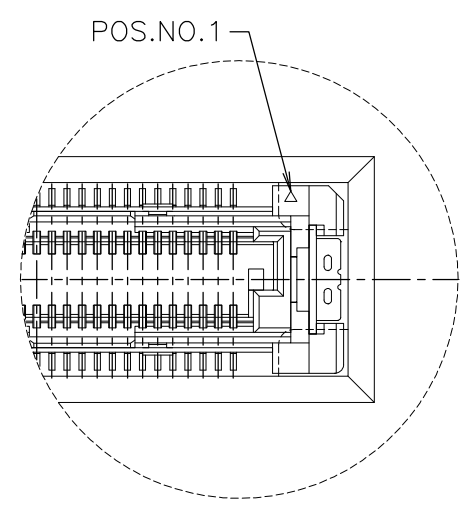
THIS DRAWING IS A CONTROLLED DOCUMENT.		DWN Y.NAKAZAWA 25JUL06	TE Connectivity				
DIMENSIONS: MM		CHK T.KUSUHARA 25JUL06					
TOLERANCES UNLESS OTHERWISE SPECIFIED:		APVD T.KUSUHARA 25JUL06	NAME				
0 PLC ± 0.3		PRODUCT SPEC	HARD TRAY ASSY				
1 PLC ± 0.3		108-5560	FH 0.5BTB CONNECTOR 220POS				
2 PLC ± 0.3		APPLICATION SPEC	PLUG 8H WITH GROUND PLATE				
3 PLC ± 0.3		WEIGHT	SIZE	CAGE CODE	DRAWING NO	RESTRICTED TO	
4 PLC ± 0.3			A3	00779	C-1939756		
ANGLES ± 3'			CUSTOMER DRAWING				
FINISH			SCALE	SHEET	REV		
			1:2	1 OF 4	D		

THIS DRAWING IS UNPUBLISHED. RELEASED FOR PUBLICATION NOV , 1996.
 © COPYRIGHT 1996 By - ALL RIGHTS RESERVED.

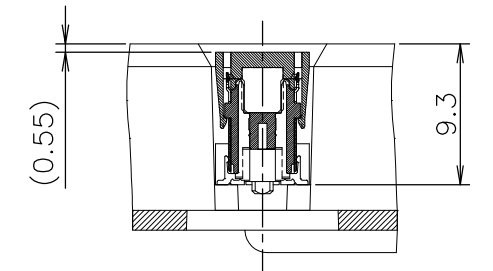
LOC	DIST	REVISIONS					
		P	LTR	DESCRIPTION	DATE	DWN	APVD
J	-	-	-	SEE SHEET 1	-	-	-



SECT. C-C
(SCALE 2:1)




DETAIL E
(SCALE 4:1)



SECT. D-D
(SCALE 2:1)

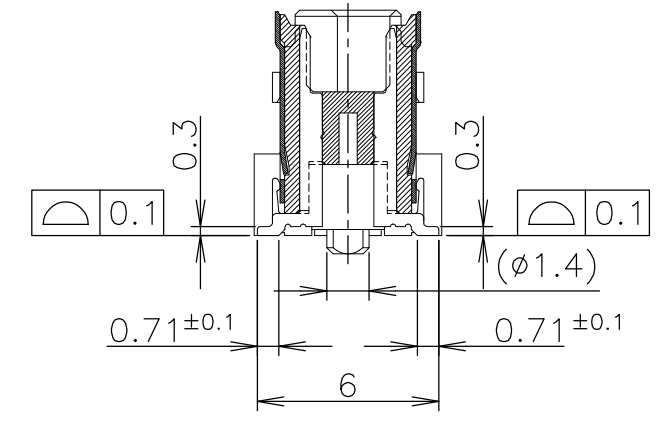
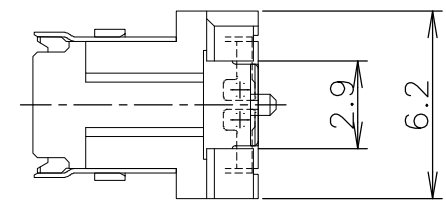
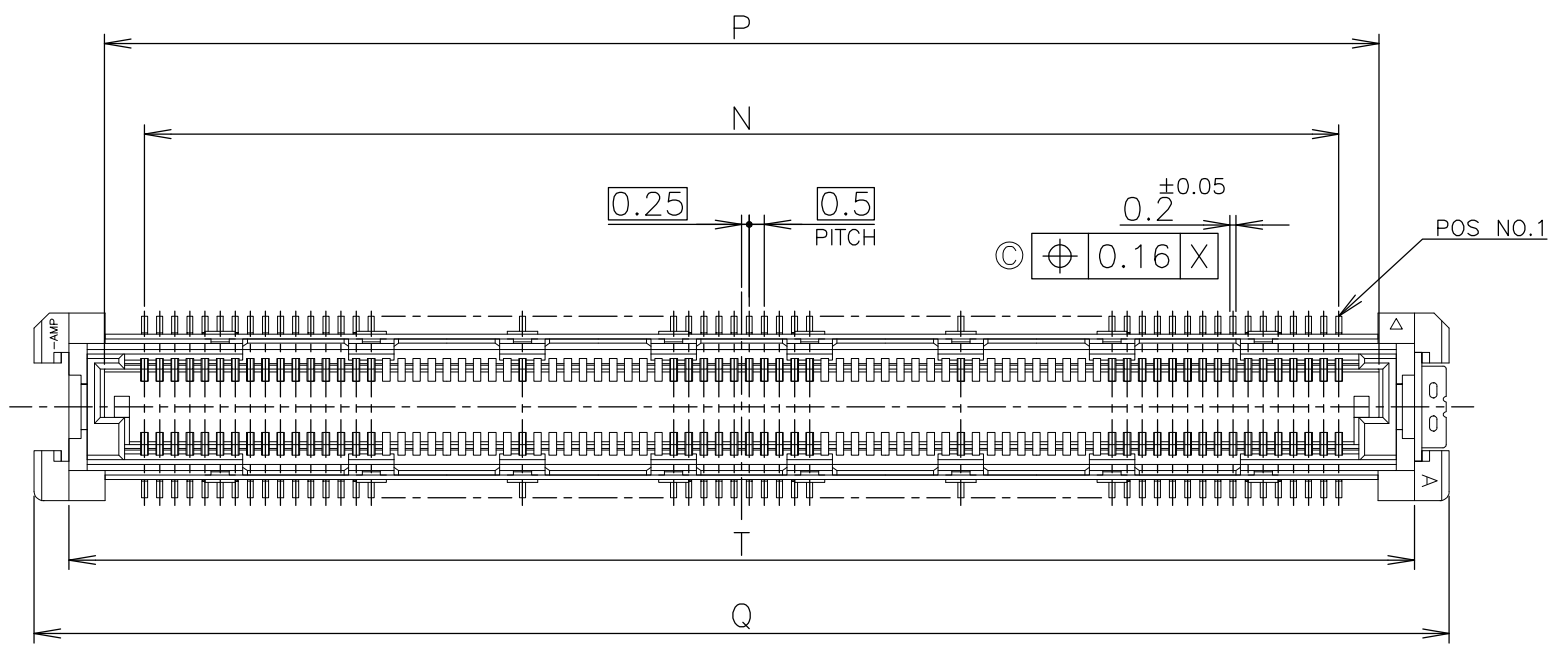
WITH PICK UP CAP

NO	WITH	3	30	75	61.8	220	9-1939756-6
SEALANT	CAP	ROW	QTY	B	A	POS.	PART NO.

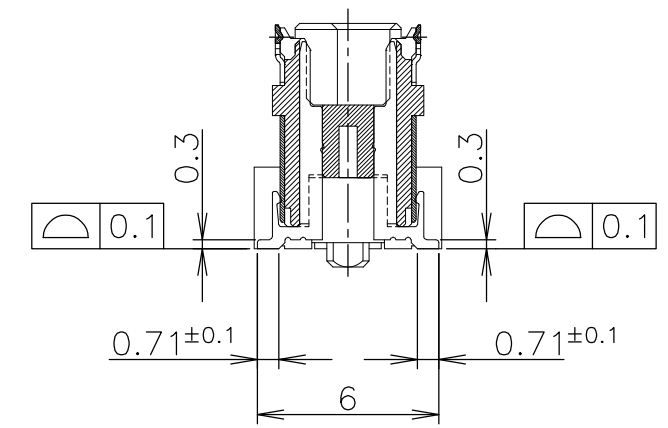
THIS DRAWING IS A CONTROLLED DOCUMENT.		DWN	-	 TE Connectivity NAME HARD TRAY ASSY FH 0.5BTB CONNECTOR 220POS PLUG 8H WITH GROUND PLATE	RESTRICTED TO
DIMENSIONS: MM		CHK	-		
TOLERANCES UNLESS OTHERWISE SPECIFIED:		APVD	-		
0 PLC ± 0.3 1 PLC ± 0.3 2 PLC ± 0.3 3 PLC ± 0.3 4 PLC ± 0.3 ANGLES ± 3°		PRODUCT SPEC	-		
MATERIAL		FINISH	-	APPLICATION SPEC	-
		WEIGHT	-	SIZE	A3
		CUSTOMER DRAWING		CAGE CODE	00779
				DRAWING NO	C-1939756
				SCALE	4:1
				SHEET	2 OF 4
				REV	D

THIS DRAWING IS UNPUBLISHED. RELEASED FOR PUBLICATION NOV, 1996.
 © COPYRIGHT 1996 By - ALL RIGHTS RESERVED.

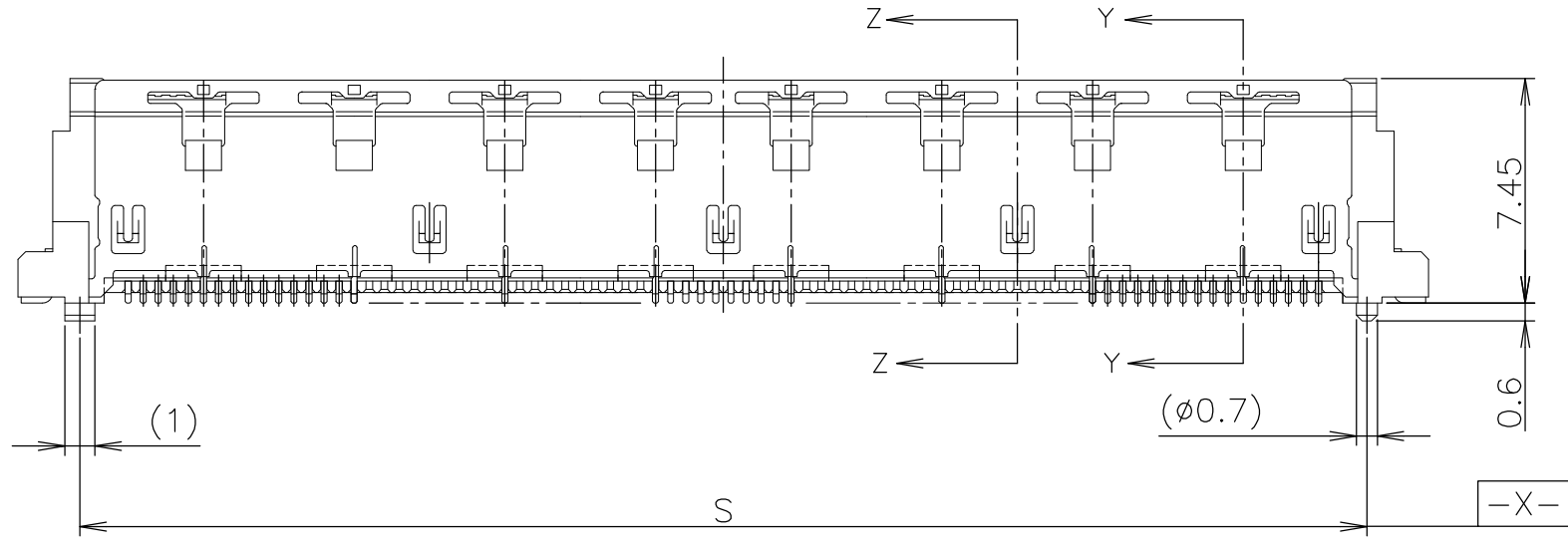
LOC	DIST	REVISIONS			
P	LTR	DESCRIPTION	DATE	DWN	APVD
J	/	SEE SHEET 1	-	-	-



SECT. Z-Z
(SIGNAL POSITION)



SECT. Y-Y
(GROUND POSITION)



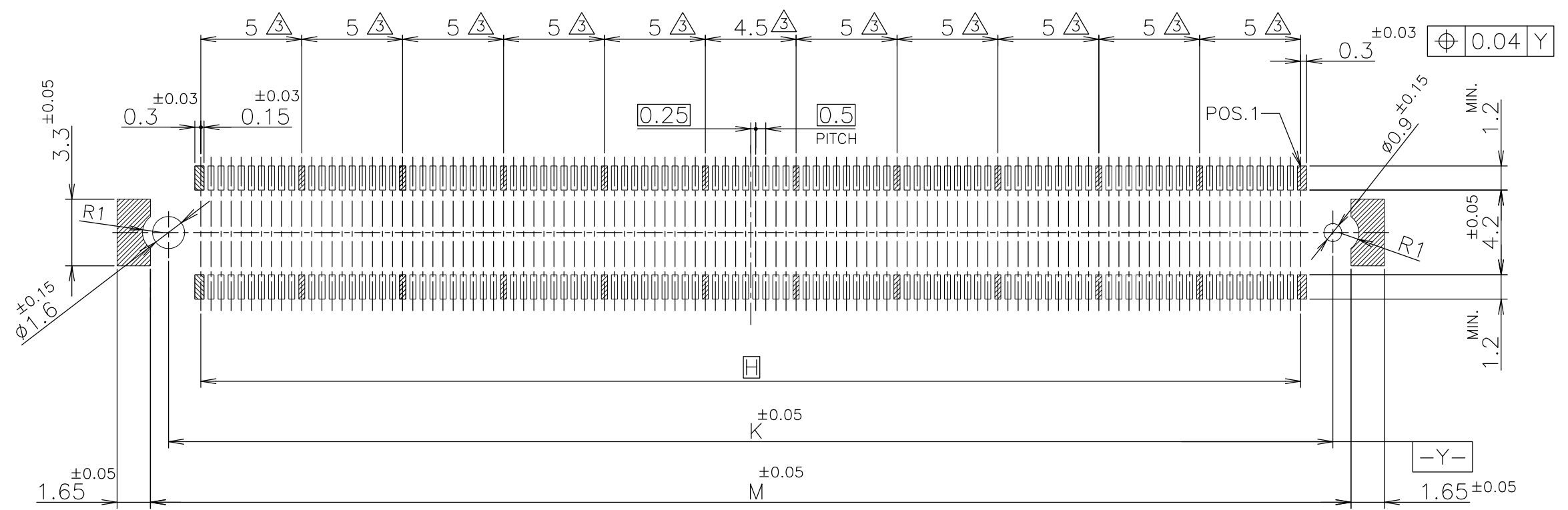
- NOTE:**
- ① MATERIAL ; HOUSING : HIGH TEMP THERMO PLASTIC UL94V-0
CONTACT : COPPER ALLOY
SOLDER PEG : COPPER ALLOY
 - ② FINISH ; SIGNAL CONTACT : UNDER PL Ni 0.0013mm MIN ALL OVER.
CONTACT AREA 0.00076mm MIN Au PL.
SOLDERING AREA 0.001mm MIN TIN PL.
GROUND CONTACT : UNDER PL Ni 0.0013mm MIN ALL OVER.
CONTACT AREA 0.00076mm MIN Au PL.
SOLDERING AREA 0.001mm MIN TIN PL.
SOLDER PEG : 0.001mm MIN TIN PL. OVER
0.0013mm MIN Ni PL ALL OVER.
 - ③ THIS POSITION IS GROUND CIRCUIT.
 - ④ THIS PRODUCT WAS COATED BY FLUX-PENETRATION-INHIAITING AGENT.

59.5	57.7	61.8	57.1	54.5	220	BLACK	9-1939756-6
59.5	57.7	61.8	57.1	54.5	220	BLACK	8-1939756-6
59.5	57.7	61.8	57.1	54.5	220	BLACK	3-1939756-6
T	S	Q	P	N	POS.	HSG COLOR	PART NO.

THIS DRAWING IS A CONTROLLED DOCUMENT.		DWN	TE Connectivity HARD TRAY ASSY FH 0.5BTB CONNECTOR 220POS PLUG 8H WITH GROUND PLATE					
DIMENSIONS: MM		CHK						
TOLERANCES UNLESS OTHERWISE SPECIFIED:		APVD						
0 PLC ± 0.3 1 PLC ± 0.3 2 PLC ± 0.3 3 PLC ± 0.3 4 PLC ± 0.3 ANGLES ± 3° FINISH		PRODUCT SPEC						
MATERIAL ①		APVD	NAME		SIZE	CAGE CODE	DRAWING NO	RESTRICTED TO
②		PRODUCT SPEC	A300779		C-1939756			
		APPLICATION SPEC	CUSTOMER DRAWING		SCALE	SHEET	REV	
		WEIGHT	4:1		3 OF 4		D	

THIS DRAWING IS UNPUBLISHED. RELEASED FOR PUBLICATION NOV , 1996.
 © COPYRIGHT 1996 By - ALL RIGHTS RESERVED.

LOC	DIST	REVISIONS			
P	LTR	DESCRIPTION	DATE	DWN	APVD
J	/	SEE SHEET 1	-	-	-



59.5	57.7	54.5	220	9-1939756-6
59.5	57.7	54.5	220	8-1939756-6
59.5	57.7	54.5	220	3-1939756-6
M	K	H	POS	PART NO.

THIS DRAWING IS A CONTROLLED DOCUMENT.		DWN	TE Connectivity HARD TRAY ASSY FH 0.5BTB CONNECTOR 220POS PLUG 8H WITH GROUND PLATE			
DIMENSIONS: MM		CHK				NAME
		APVD				PRODUCT SPEC
TOLERANCES UNLESS OTHERWISE SPECIFIED: 0 PLC ± 0.3 1 PLC ± 0.3 2 PLC ± 0.3 3 PLC ± 0.3 4 PLC ± 0.3 ANGLES ± 3°		APVD				APPLICATION SPEC
MATERIAL	FINISH	WEIGHT	SIZE	CAGE CODE	DRAWING NO	RESTRICTED TO
1	2		A3	00779	C-1939756	
CUSTOMER DRAWING			SCALE	SHEET	REV	
			4:1	4 OF 4	D	

单击下面可查看定价，库存，交付和生命周期等信息

[>>TE Connectivity\(泰科\)](#)