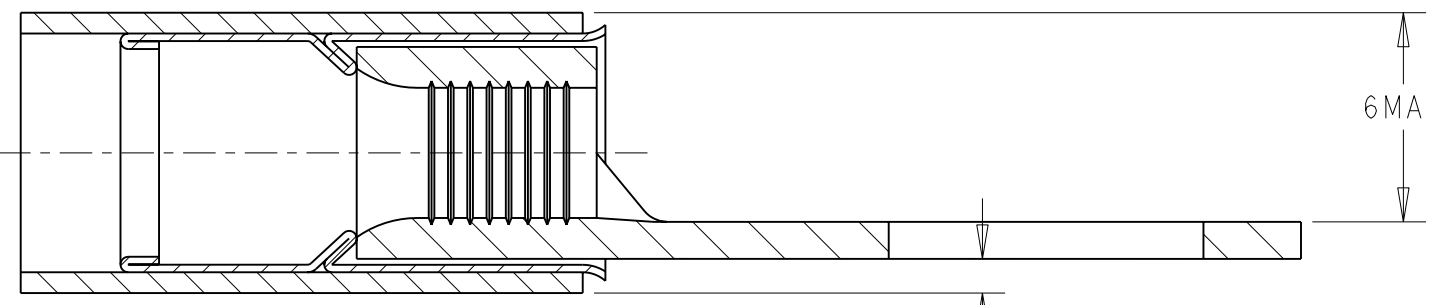


THIS DRAWING IS UNPUBLISHED. RELEASED FOR PUBLICATION 20  
 © COPYRIGHT 20 BY TYCO ELECTRONICS CORPORATION. ALL RIGHTS RESERVED.

LOC	DIST	REVISIONS				
P	LTR	DESCRIPTION	DATE	DWN	APVD	
F	00	B	HOLE DIA. TOLERANCES	09JUN2006	JJD	YP
		C	ECR 07-025006	29OCT2007	JT	GR

COUPE C - C

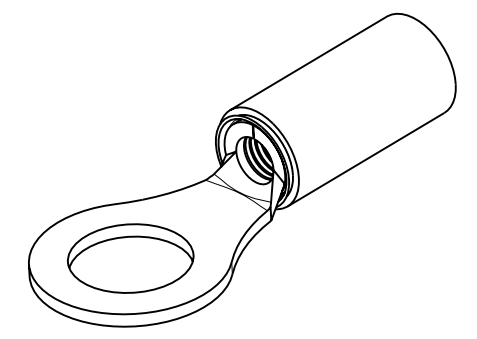


STAMP : AMP 12-10\*

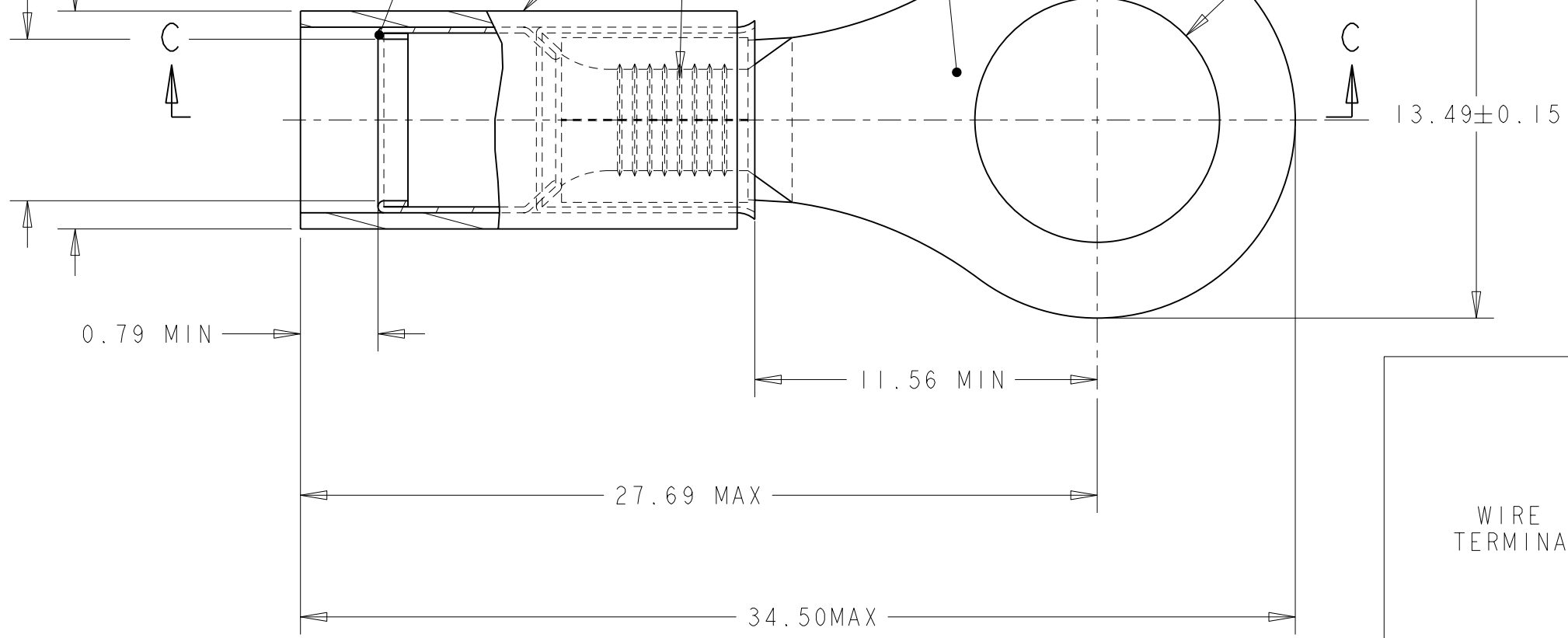
FOR INSULATION  
 $\varnothing 2.60 - 5.44$   
 $\varnothing 7.40 \text{ MAX}$

SLEEVE  
 INSULATION  
 SERRATIONS

BODY  $0.98 \pm 0.05$  TONGUE THICKNESS  
 $\varnothing 8.34 \pm 0.13$  FOR 5/16 OR M8 STUD



SCALE 2:1



WIRE TERMINAL	1577649-1	BODY : COPPER ANNEALED FINISH : NICKEL PLATED
		SLEEVE : COPPER ANNEALED FINISH : NICKEL PLATED
		INSULATION : PEEK COLOR : BLACK
DESCRIPTION	PART NUMBER	MATERIAL & FINISH

<small>THIS DRAWING IS A CONTROLLED DOCUMENT FOR TYCO ELECTRONICS CORPORATION          IT IS SUBJECT TO CHANGE AND THE CONTROLLING ENGINEERING ORGANIZATION          SHOULD BE CONTACTED FOR THE LATEST REVISION.</small>		DWN	27FEB2006	 Tyco Electronics France SAS 95300 Pontoise, France			
DIMENSIONS: mm		CHK	27FEB2006				
TOLERANCES UNLESS OTHERWISE SPECIFIED: 0 PLC ±- 1 PLC ±0.3 2 PLC ±- 3 PLC ±- 4 PLC ±- ANGLES ±5		APVD	27FEB2006				
MATERIAL SEE TABLE		FINISH	SEE TABLE				
		PRODUCT SPEC	108-15356	NAME TERMINAL, PEEK PIDG STRATO, 10 AWG			
FINISH SEE TABLE		APPLICATION SPEC	114-15102				
MATERIAL SEE TABLE		WEIGHT	2,9 gr	SIZE	CAGE CODE	DRAWING NO	RESTRICTED TO
CUSTOMER DRAWING		A300779		C=1577649		-	
		SCALE	5:1	SHEET	1	OF	1
				REV	C		

单击下面可查看定价，库存，交付和生命周期等信息

[>>TE Connectivity\(泰科\)](#)