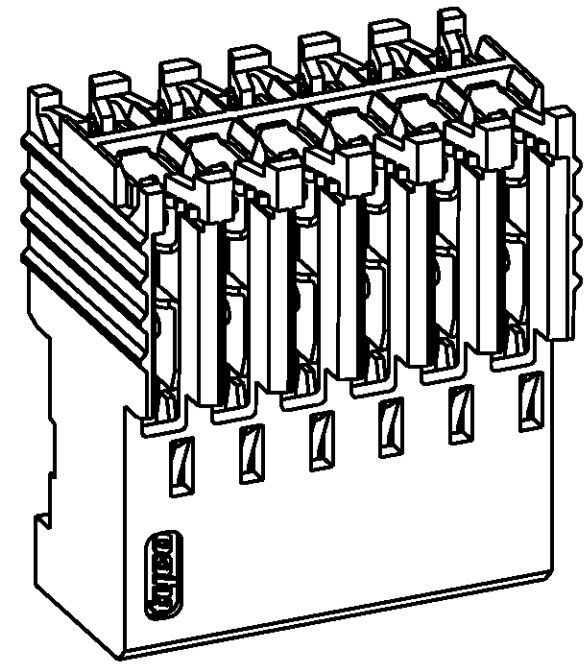
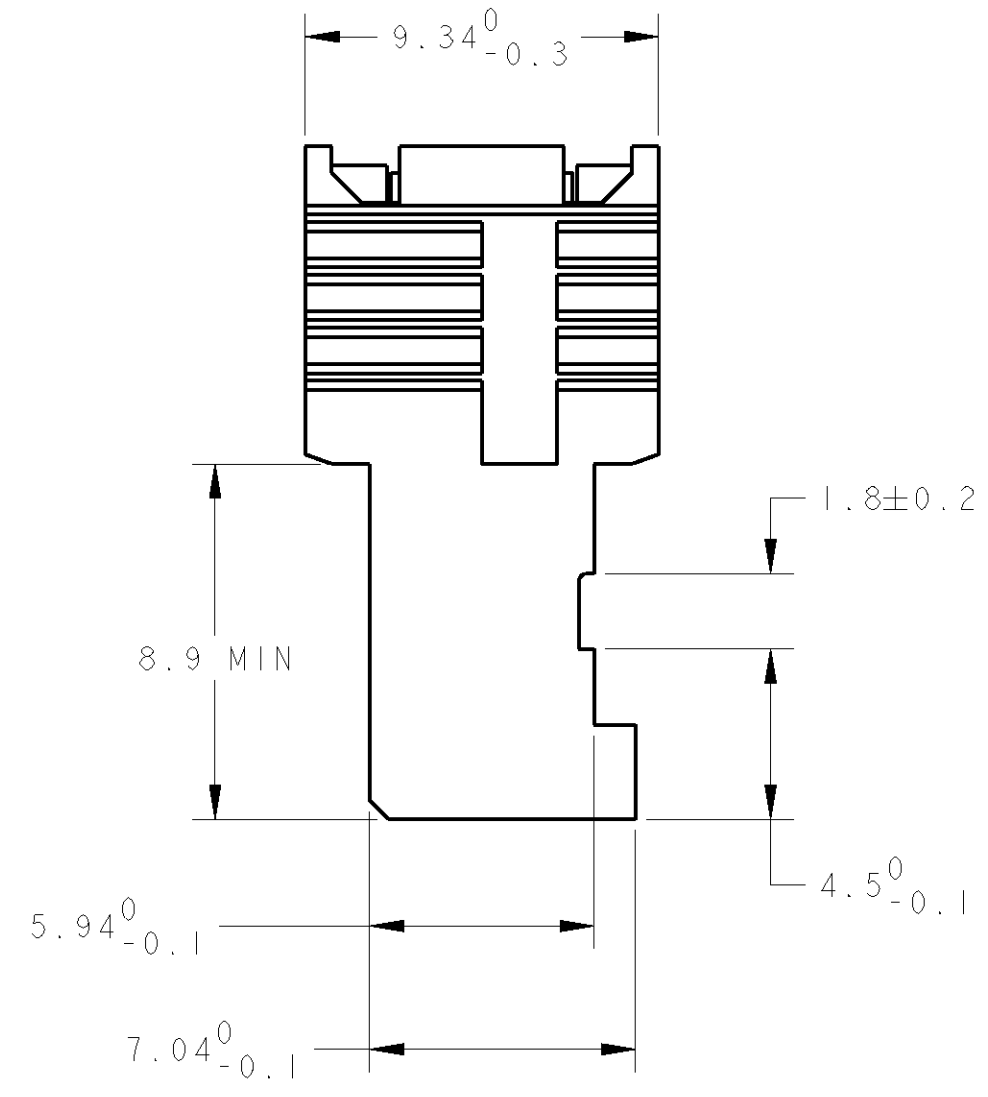
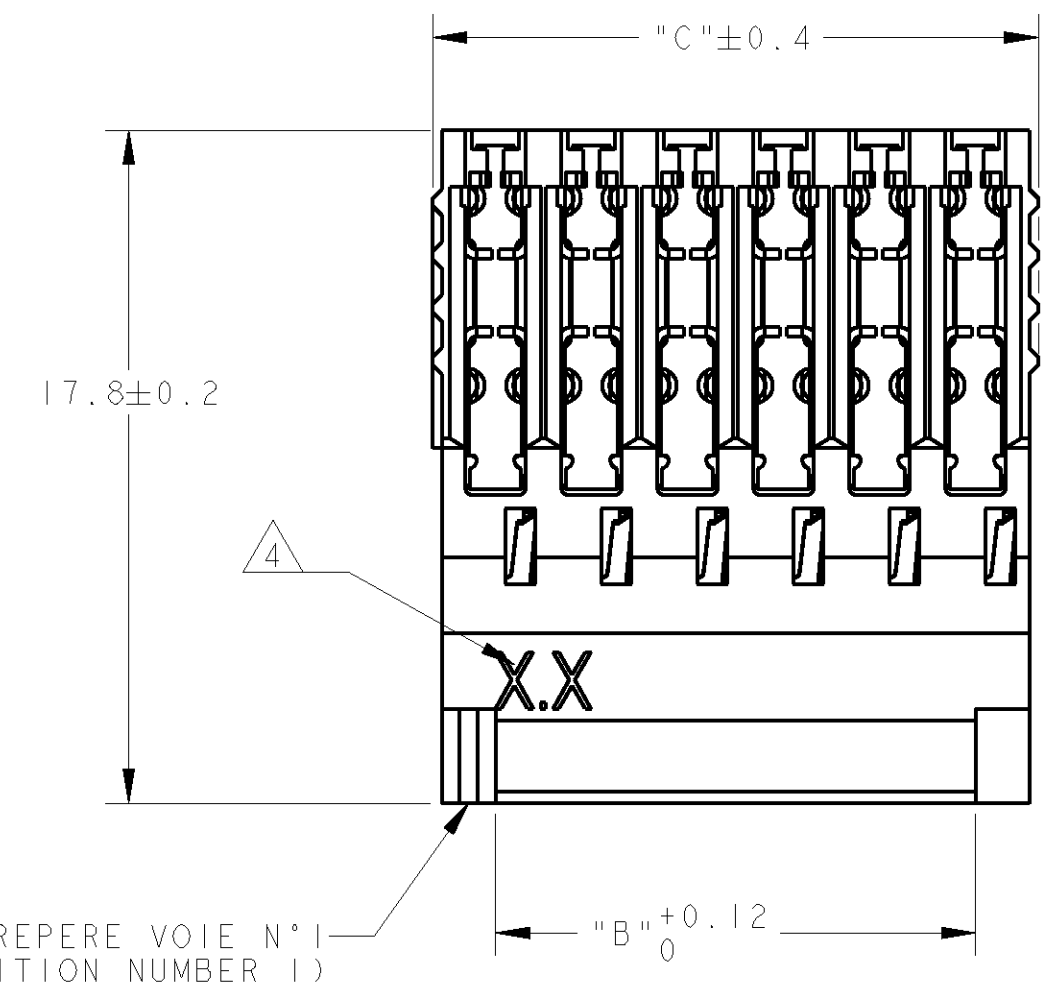
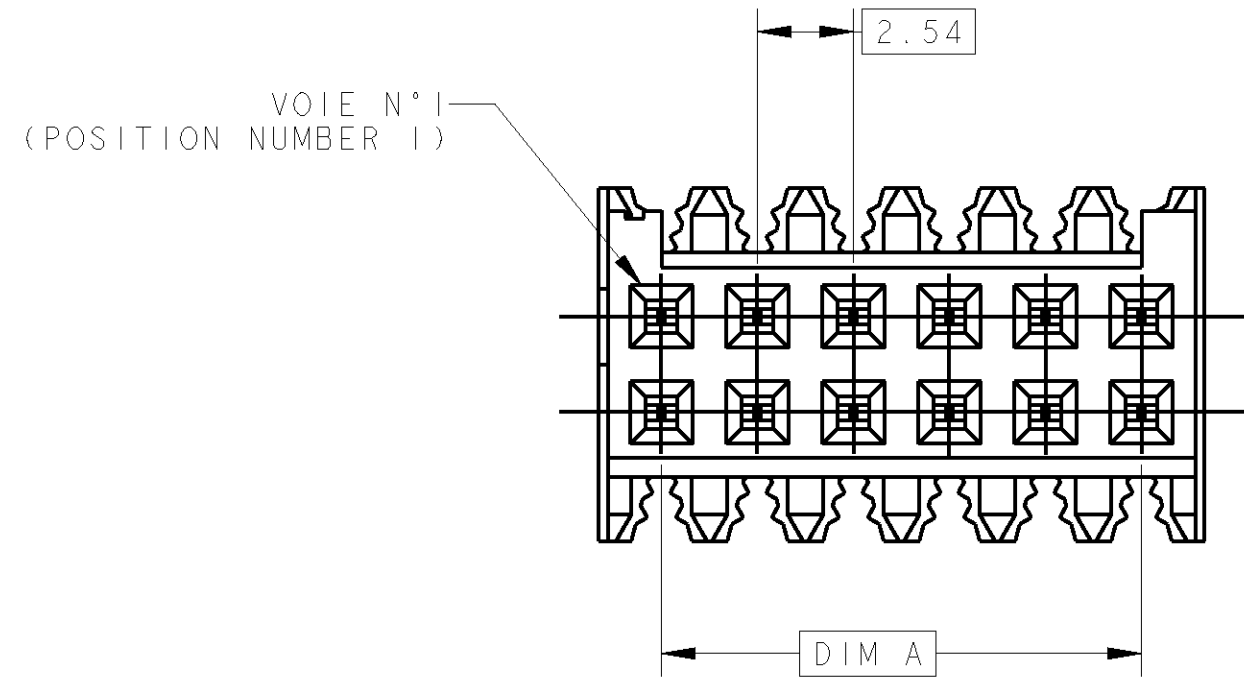


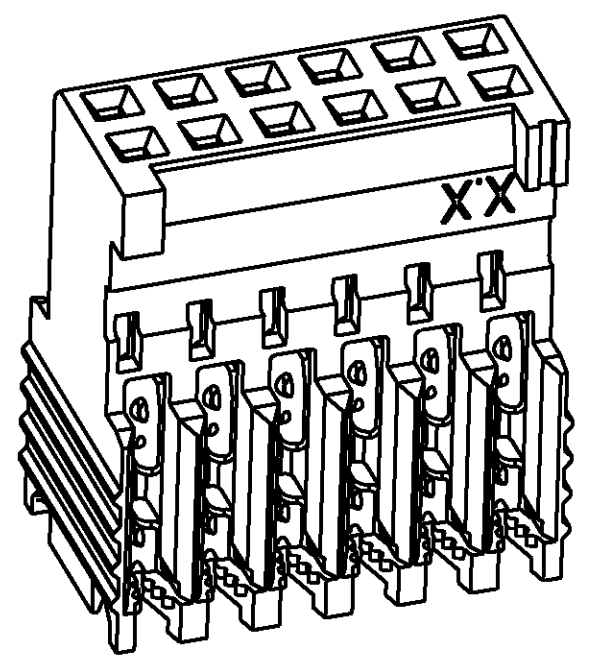
THIS DRAWING IS UNPUBLISHED. RELEASED FOR PUBLICATION
 DIFFUSION RESTREINTE. LIBRE A LA DIFFUSION
 © COPYRIGHT 20 BY TYCO ELECTRONICS CORPORATION. ALL RIGHTS RESERVED.
 TOUS DROITS RESERVES

FILS ADMISSIBLES (ACCEPTABLES WIRES)	
JAUGE (AWG) SECTION / 7 BRINS (7 STRANDS)	26-24 0.12-0.22mm ²
ISOLANT: Ø MAX / MATIERE (INSUL.: Ø MAX / MAT'L)	Ø 1.2 / PVC

REVISONS		DATE	DWN DESS.	APVD APP.
P	LTR	DESCRIPTION MODIFICATIONS		
	A	REDESSINE	06/90	AC
	B	REDESSINE SUR (REDRAWN ON) PRO/ENG	13SEP2002	CC YP
	C	UPDATED	28MAR2007	TC YP



ECHELLE 4:1
SCALE



ECHELLE 4:1
SCALE

- 1 CES CONNECTEURS SONT PREVUS POUR ETRE ACCOUPLES AVEC LES EMBASES 'HE1402' DOUBLE RANGEE (THESE CONNECTORS ARE DESIGNED TO BE MATED WITH 'HE1402' HEADERS DOUBLE ROW)
- 2 LES REFERENCES SUIVIES D'UN ' * ' SONT LES VERSIONS NORMALISEES SELON LA 'CEI 603-8' (THE PART-N₀ FOLLOWED BY ' * ' ARE COVERED BY THE INTERNATIONAL STANDARD 'IEC603-8')
- 3 REVETEMENT DES CONTACTS: ETAME (CONTACTS PLATING: TIN)
- 4 "X.X" EST REMPLACE PAR LES DEUX DEUXIEME CHIFFRES DU COUPLE DES JAUGES AWG ("X.X" REPLACED BY THE TWO SECOND DIGIT OF AWG RANGE AS DEFINED IN TABLE)
- 5 MATIERES - BOITIER: PBT UL94V0 - CONTACTS: BRONZE PHOSPHOREUX. (MATERIALS - HOUSING : PBT UL94V0 - CONTACTS: PHOSPHOR BRONZE)

46.52	43.18	2x 18	1- 281789-8 *
38.90	35.56	2x 15	1- 281789-5 *
31.28	27.94	2x 12	1- 281789-2 *
26.20	22.86	2x 10	1- 281789-0 *
21.12	17.78	2x 8	0- 281789-8 *
16.04	12.70	2x 6	0- 281789-6 *
13.50	10.16	2x 5	0- 281789-5 *
10.96	7.62	2x 4	0- 281789-4 *
8.42	5.08	2x 3	0- 281789-3 *
5.88	2.54	2x 2	0- 281789-2 *
C		A, B	Nb DE POS.
DIMENSIONS			REFERENCES (PART N°)

THIS DRAWING IS A CONTROLLED DOCUMENT FOR TYCO ELECTRONICS CORPORATION IT IS SUBJECT TO CHANGE AND THE CONTROLLING ENGINEERING ORGANIZATION SHOULD BE CONTACTED FOR THE LATEST REVISION. CE PLAN EST UN DOCUMENT CONTROLÉ PAR AMP INCORPORATED. IL EST SUSCEPTIBLE D'ÊTRE REVISÉ, CONTACTER LE SERVICE TECHNIQUE D'AMP DE FRANCE POUR OBTENIR LA DERNIÈRE RÉVISION.		DWN/DESSINE 29NOV2000 C. COMBEDOUZON CHK/VERIFIE 29NOV2000 T. CORRIOU APVD/APPROUVE 29NOV2000 Y. PETRONIN	AMP DE FRANCE 95301 PONTOISE
DIMENSIONS: mm	TOLERANCES UNLESS OTHERWISE SPECIFIED: (SUIV NB DE DECIMALES) 0 PLC/DEC: ± 1 PLC/DEC: ±0.3 2 PLC/DEC: ± 3 PLC/DEC: ± 4 PLC/DEC: ± ANGLES ±5°	PRODUCT SPEC SPEC, PRODUCT 108-15053 APPLICATION SPEC SPEC, APPLICATION 114-15031	NAME TITRE HE 1402 PLUG, 180° IDC DOUBLE ROW
MATERIAL/MATIERE 5	FINISH/FINITION 3	WEIGHT MASSE APPROX. - CUSTOMER DRAWING /PLAN CLIENT	SIZE FORMAT A2 CAGE CODE 00779 DRAWING NO No PLAN C-281789 RESTRICTED TO RESERVE A - REV C

单击下面可查看定价，库存，交付和生命周期等信息

[>>TE Connectivity\(泰科\)](#)