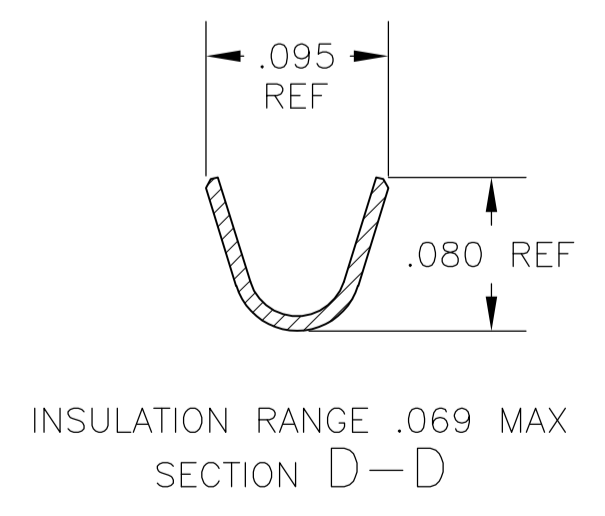
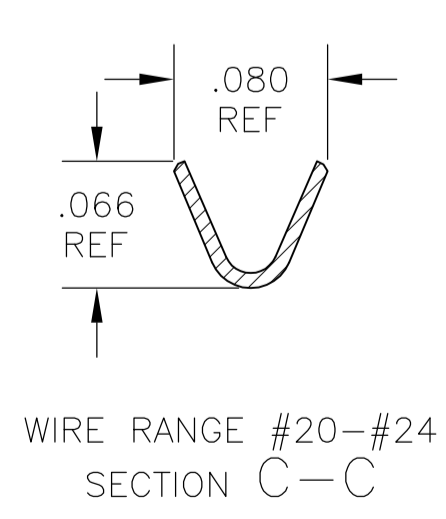
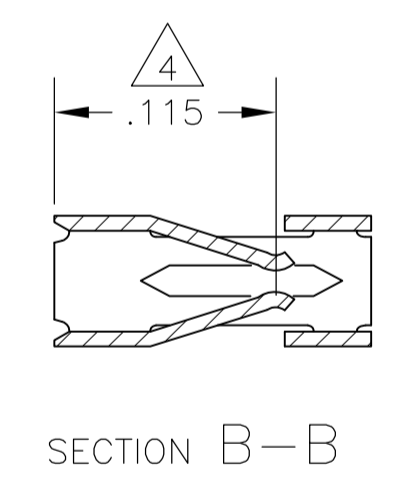
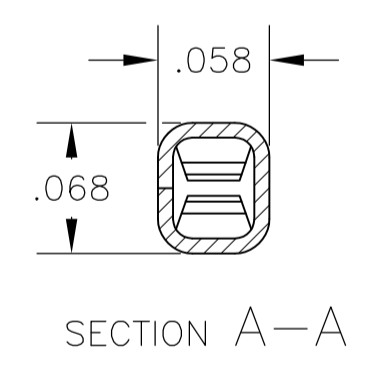
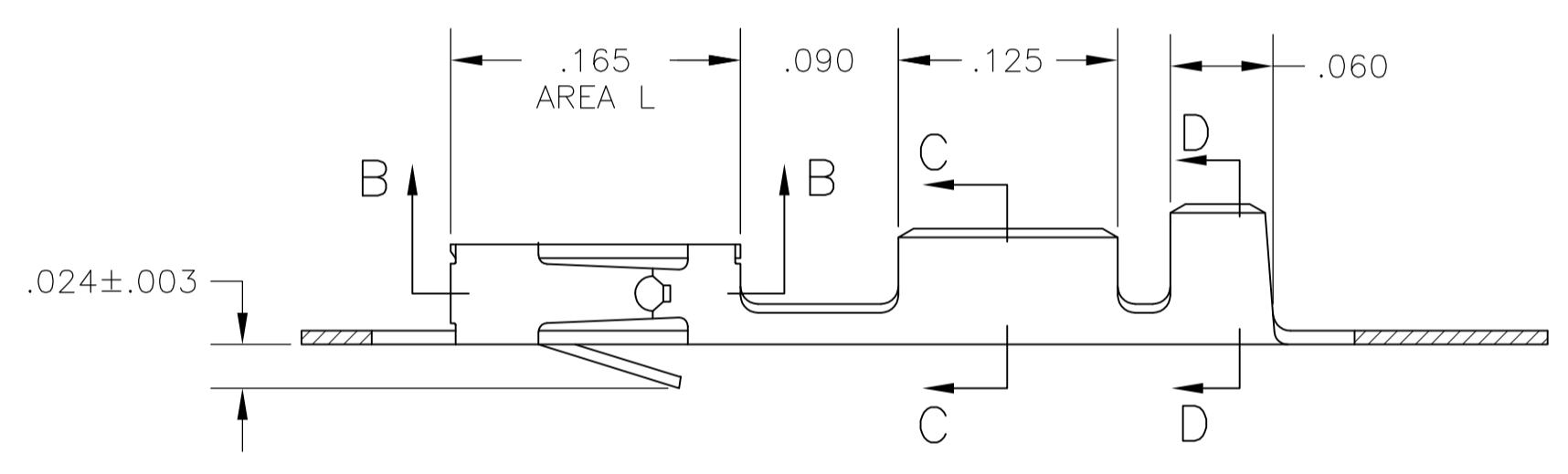


- 1 PLATING IS NOT REQUIRED IN THIS AREA.
- 2 CUT-OUTS ON BOX AT MANUFACTURER'S OPTION.
- 3 .006 MAX LOOSE PIECE CUT-OFF.
- 4 POINT OF MEASUREMENT FOR PLATING THICKNESS(INSIDE BEAMS).
- 5 .000015 GOLD IN CONTACT AREA, GOLD FLASH ON REMAINDER OF TERMINAL, ALL OVER .000050 NICKEL.
- 6 .000030 GOLD OVER .000050 NICKEL.
- 7 .000030 GOLD IN CONTACT AREA, GOLD FLASH ON REMAINDER OF TERMINAL, ALL OVER .000050 NICKEL.
- 8 PREPLATED: .000078-.000158 BRIGHT TIN.
- 9 .000030 GOLD IN CONTACT AREA, GOLD FLASH IN AREA L, ALL OVER .000050 NICKEL.
- 10 .000050 GOLD IN CONTACT AREA, GOLD FLASH ON REMAINDER OF TERMINAL, ALL OVER .000050 NICKEL.
- 11 SHEARED EDGES PERMITTED TO BE UNPLATED.
- 12 OBSOLETE PART NUMBER.
- 13 OBSOLETE PARTS: OBSOLETE CIS STREAMLINING PER D.RENAUD/D.SINISI.



OBSOLETE	12	-6	1-	12	-7	10	1-86492	-8
	12	-5	1-	12	-4	9	1-	-3
	87046	-4		12	-8	8		-9
		-3		12	-5	7		-6
		-2		12	-3	6		-4
	87046	-1		12	-1	5	86492	-2
	LOOSE PIECE PART NUMBER		STANDARD APPLICATOR PART NUMBER		FINISH		MINI APPLICATOR PART NUMBER	

THIS DRAWING IS A CONTROLLED DOCUMENT.

DIMENSIONS: INCHES	TOLERANCES UNLESS OTHERWISE SPECIFIED:	DIN L A MAYER 20MAY85	STE TE Connectivity
0 PLC ± -	1 PLC ± -	CHK R J DAVIS 07JUN85	
2 PLC ± -	3 PLC ± .005	APVO C LINDGREN 14JUN85	NAME CONTACT, MOD IV 1/2, RECEPTACLE, CRIMP SNAP-IN
4 PLC ± -	ANGLES ± -	PRODUCT SPEC	APPLICATION SPEC
MATERIAL CU-NI-SI	FINISH	SIZE A1	SCALE 10:1
		WEIGHT	SHEET 1 OF 1
		CUSTOMER DRAWING	REV

单击下面可查看定价，库存，交付和生命周期等信息

[>>TE Connectivity\(泰科\)](#)