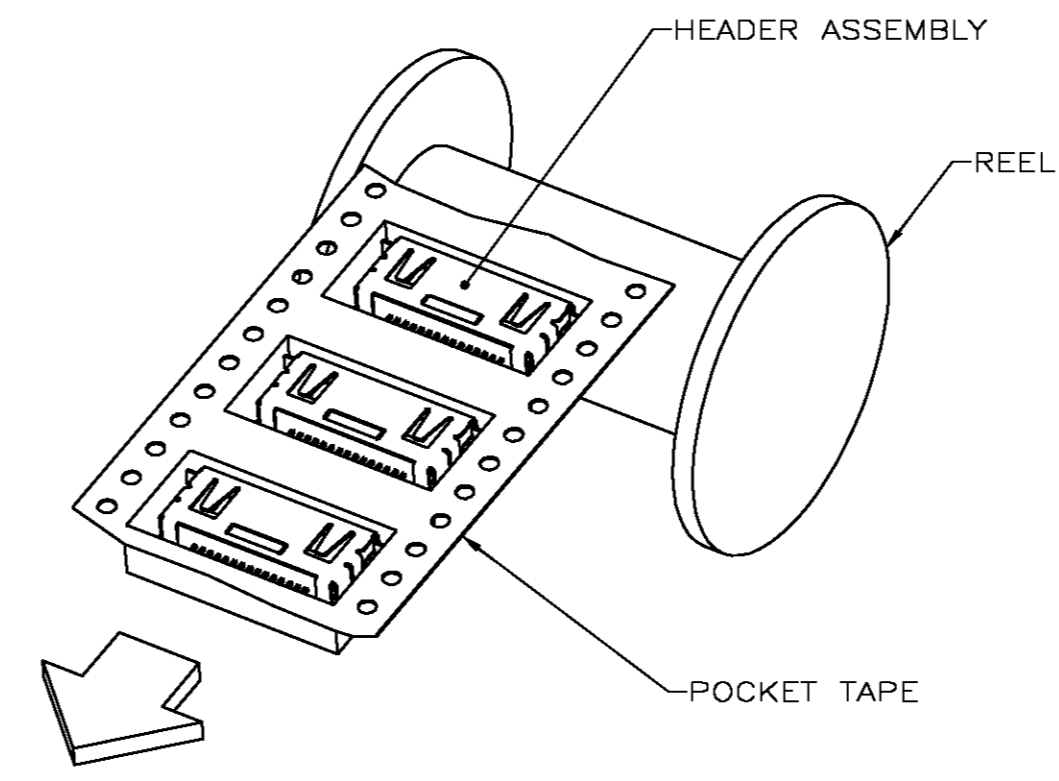
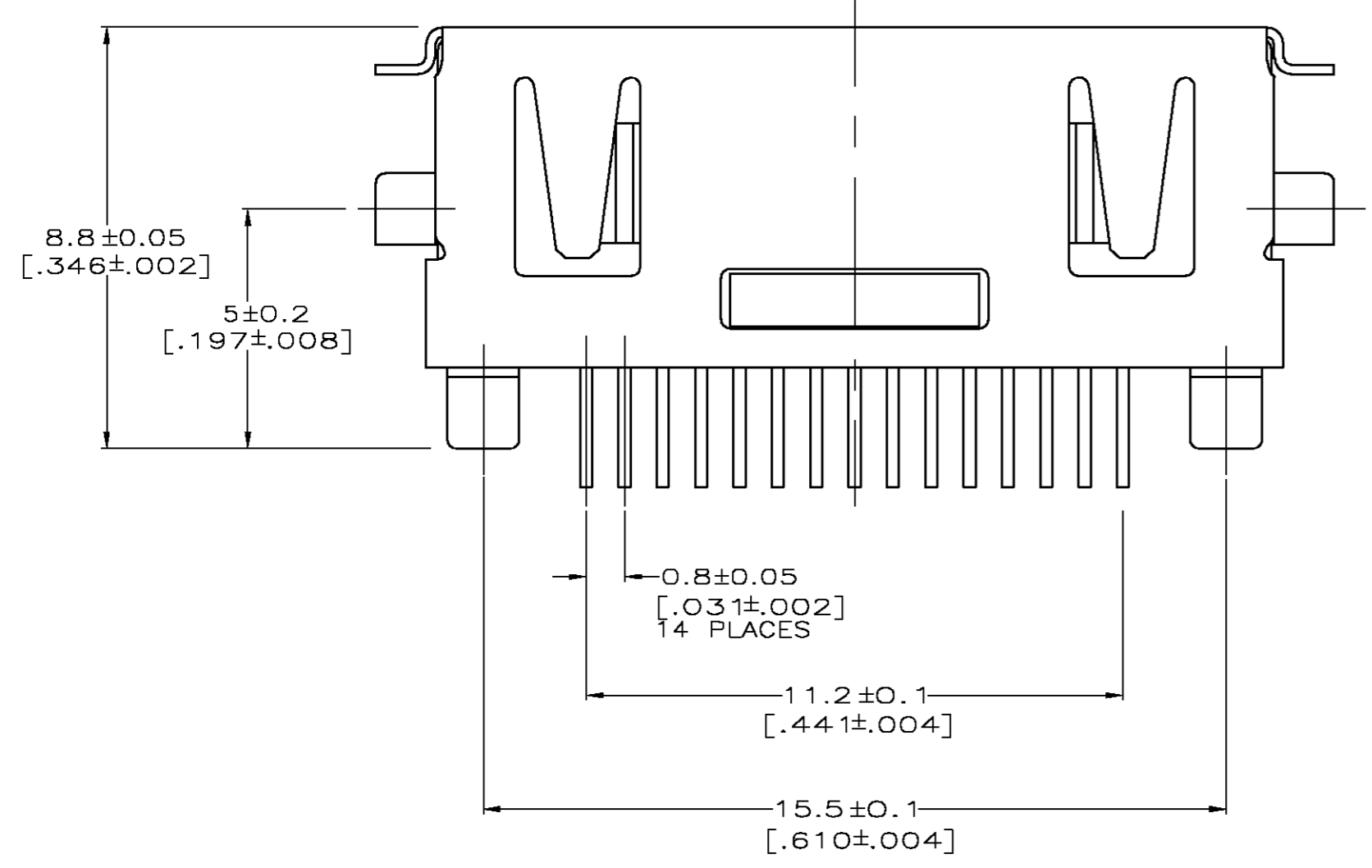
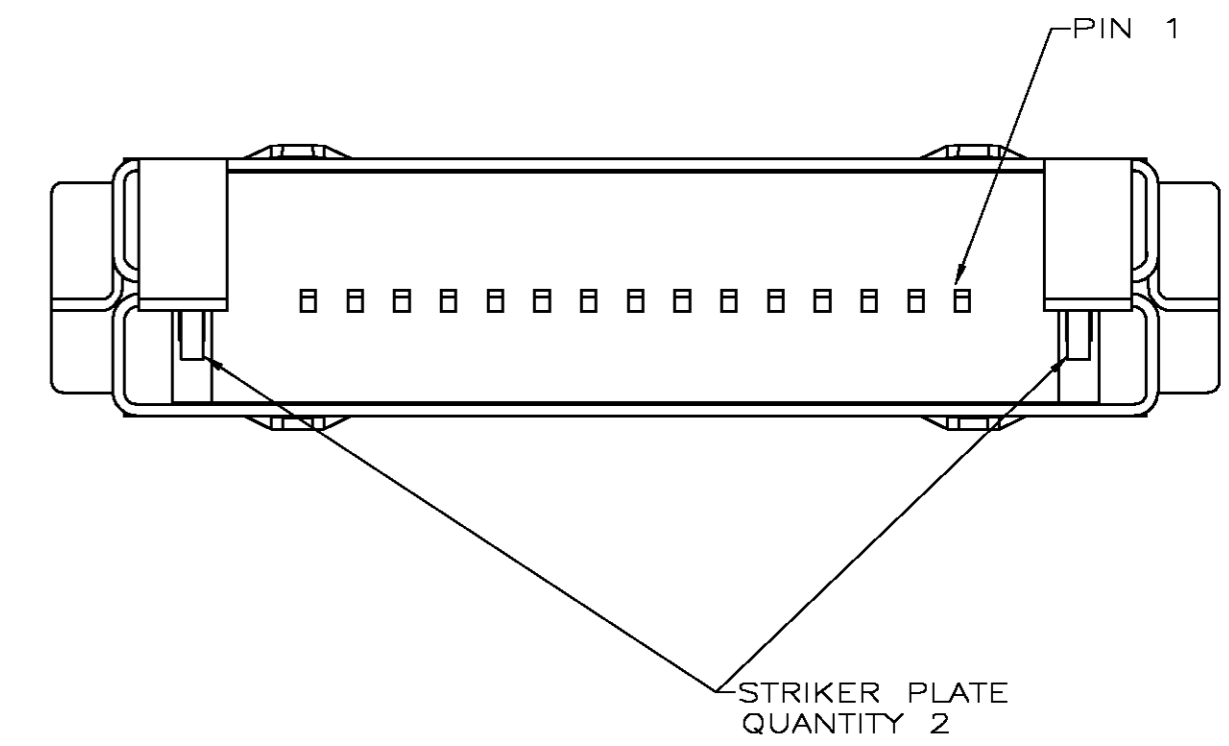
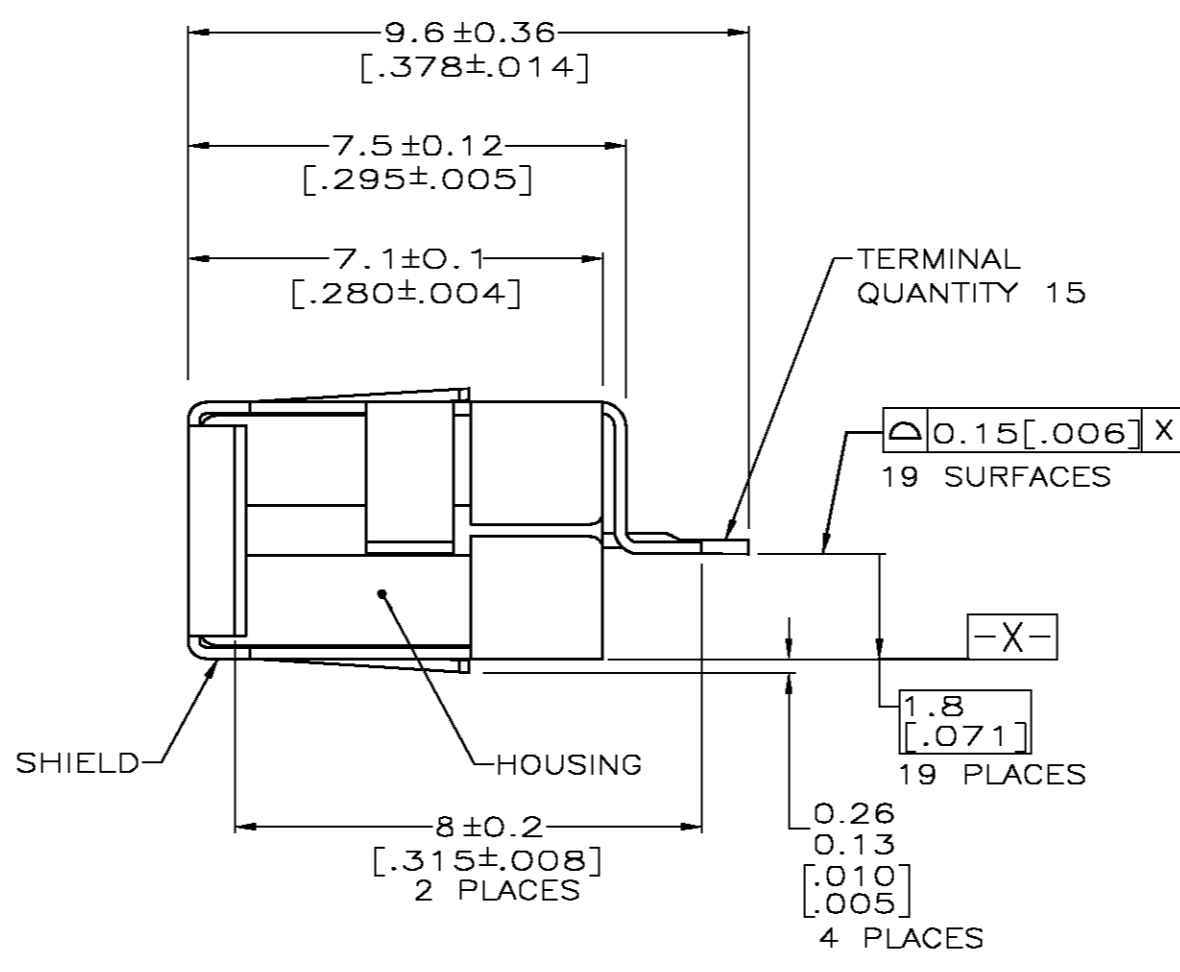
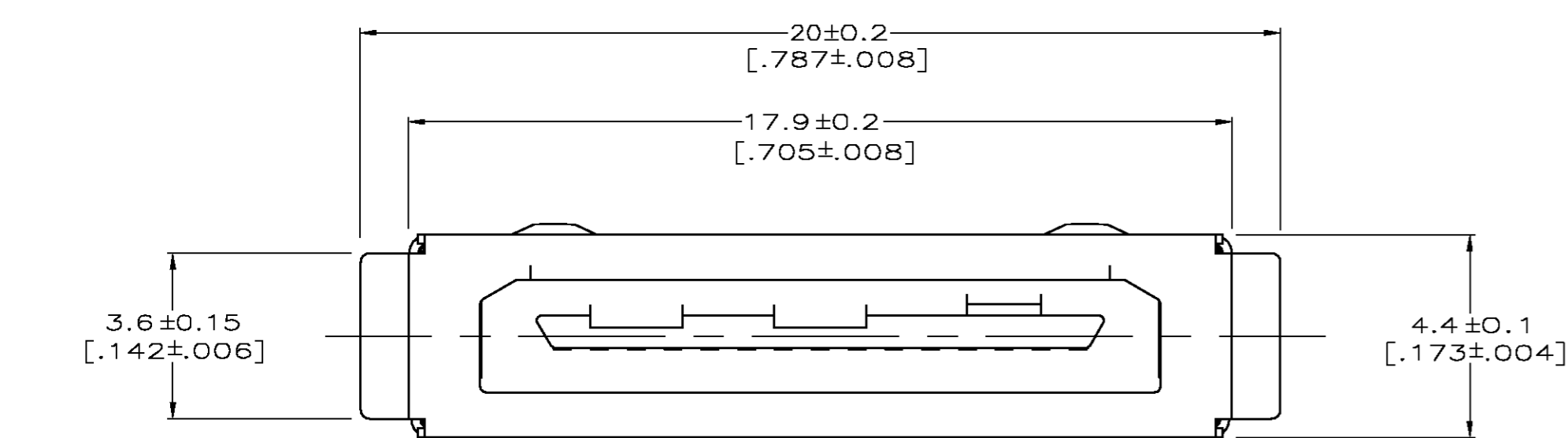


⚠ MATERIAL: HOUSING - NYLON MOLDING COMPOUND, 94V-0, GLASS FILLED, BLACK.  
 TERMINALS - 0.25[.010] THICK BRASS PLATED WITH 0.254 MICRONS[.000010] MINIMUM THICK GOLD OVER 1.016 MICRONS [.000040] MINIMUM THICK PALADIUM NICKEL OVER 0.05 MICRONS[.000002] MINIMUM THICK GOLD IN CONTACT AREAS AND 3.8 MICRONS[.000150] MINIMUM THICK TIN ON SOLDER TINES OVER 2.54 MICRONS[.000100] MINIMUM THICK NICKEL UNDERPLATE.  
 SHIELD - STAINLESS STEEL, TIN PLATED  
 STRIKER PLATE - STAINLESS STEEL.

2. PACKAGED IN TAPE AND REEL.



KEY 5-15	5-5558556-5
KEY 4-15	5-5558556-4
KEY 3-15	5-5558556-3
KEY 2-15	5-5558556-2
KEY 1-15	5-5558556-1
KEYING OPTION	PART NUMBER

THIS DRAWING IS A CONTROLLED DOCUMENT.

OWN: B. McMASTER	23JUN05	Tyco Electronics Corporation Harrisburg, Pa 17105-3608
CHK: D. GORENC	23JUN05	
APPD: M. WALMSLEY	23JUN05	NAME: M. WALMSLEY
PRODUCT SPEC: -		APPLICATION SPEC: -
SIZE: -		SCALE: 10:1
WEIGHT: -		SHEET: 1 OF 2
CUSTOMER DRAWING		REV: 0

THIS DRAWING IS A CONTROLLED DOCUMENT. DIMENSIONS: mm [INCHES]. TOLERANCES UNLESS OTHERWISE SPECIFIED: 0 PLG ± -; 1 PLG ± -; 2 PLG ± -; 3 PLG ± -; 4 PLG ± -; ANGLES FINISH ± -.

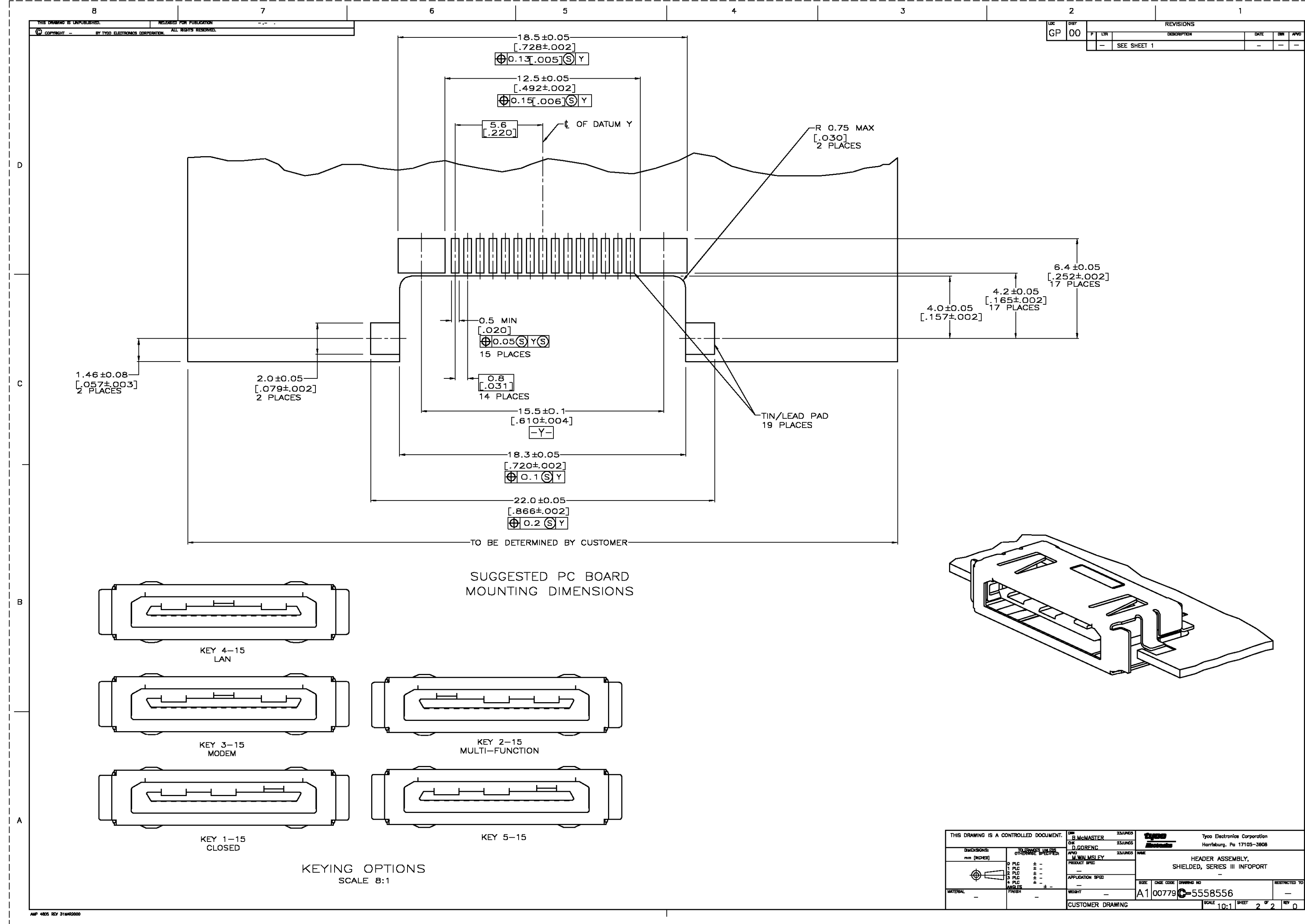
APPROVED: M. WALMSLEY

DATE: 23JUN05

SCALE: 10:1

SHEET: 1 OF 2

REV: 0



THIS DRAWING IS A CONTROLLED DOCUMENT.		DATE: 11/11/93	BY: J. McMASTER	SCALE: 10:1	REV: 0
DRAWN BY: M. WILMSLEY		DATE: 11/11/93	BY: D. GORENC	SCALE: 10:1	REV: 0
CHECKED BY: M. WILMSLEY		DATE: 11/11/93	BY: M. WILMSLEY	SCALE: 10:1	REV: 0
MATERIAL: -		DATE CODE: A1	DWG NO: 00779	SCALE: 10:1	REV: 0
FINISH: -		DATE CODE: -	DWG NO: 5558556	SCALE: 10:1	REV: 0
CUSTOMER DRAWING		DATE CODE: -	DWG NO: -	SCALE: 10:1	REV: 0
TYCO ELECTRONICS CORPORATION		DATE CODE: -	DWG NO: -	SCALE: 10:1	REV: 0
HERRLINGSBURG, PA 17105-3808		DATE CODE: -	DWG NO: -	SCALE: 10:1	REV: 0
HEADER ASSEMBLY, SHIELDED, SERIES III INFOPORT		DATE CODE: -	DWG NO: -	SCALE: 10:1	REV: 0

单击下面可查看定价，库存，交付和生命周期等信息

[>>TE Connectivity\(泰科\)](#)