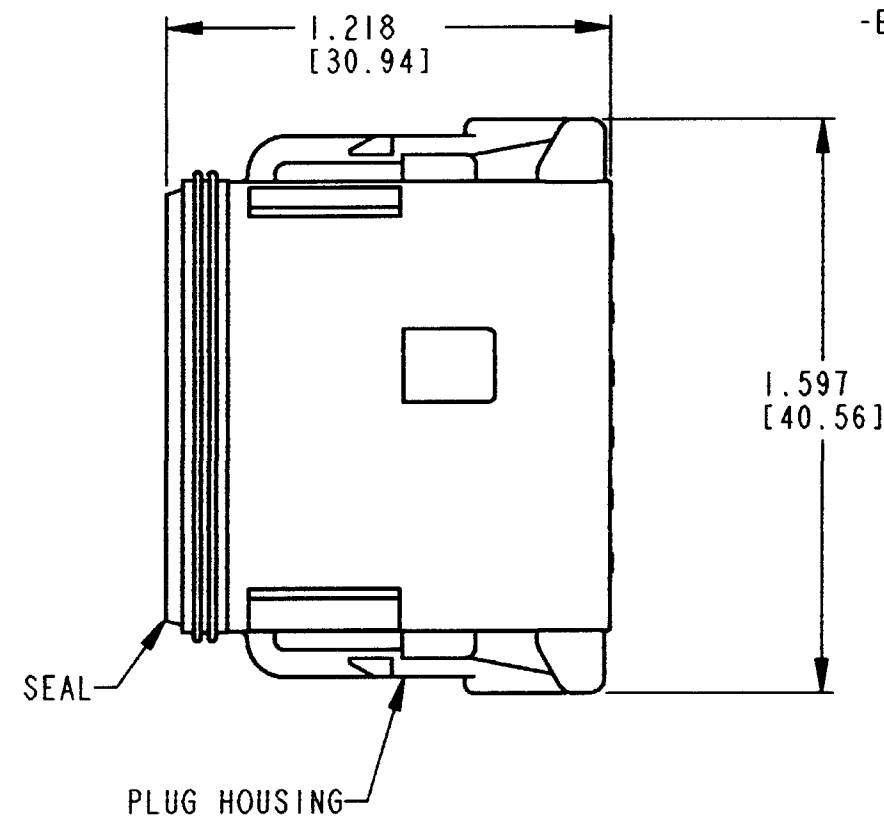
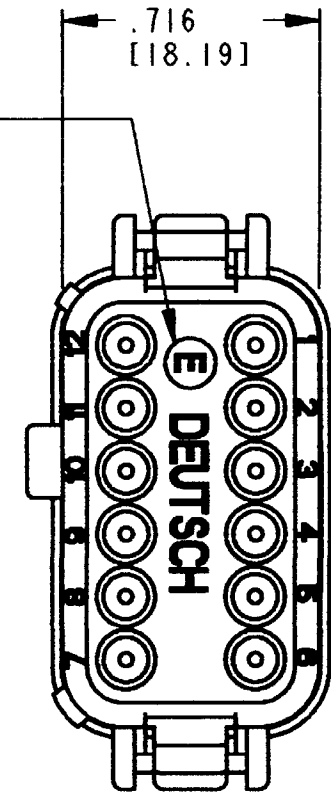


**DATE LEGEND**

YEARS TO BE REPRESENTED BY LAST NUMERICAL DIGIT  
MONTH USES SEQUENTIAL ALPHA CHARACTERS, EX: A= JANUARY ...



-E- SYMBOL DESIGNATES REDUCED WIRE SEAL



REV		REVISIONS		
SYM	DESCRIPTION	DATE	APPROVED	
A	DT06-12SA-CE06			
NC	NEW RELEASE PER E.O. P16023	5/20/99	R.D.R.	
A	REVISED PER E.O. P19139	1-19-06	RDR	

CONTACT SIZE	MIN. INSUL O.D.	MAX. INSUL O.D.	WIRE RANGE [mm <sup>2</sup> ]
16	.053 [1.35]	.120 [3.05]	14-20 AWG [2.0-0.5]

- NOTES:
1. DIMENSIONS ARE IN INCHES [MILLIMETERS].
  2. DIMENSIONS ARE ±.025[0.63] UNLESS OTHERWISE SPECIFIED.
  3. FOR CONTACTS AND WIRE PERFORMANCE AND APPLICATION CHARACTERISTICS SEE ENVELOPE DRAWING 0425-015-0000 AND 0425-017-0000.
  4. THIS PLUG MATES WITH THE DT04-12PA-\*\*\*\* RECEPTACLE (\*\*\*\* = ALL MODIFICATIONS). CONSULT FACTORY FOR MODIFICATIONS.

SIGNATURE & DATE	
DR	D. SPENCER 08APR99
CHK	B. Byrd 1/18/06
PE	[Signature] 1/4/06
APPD	R. Paul 1-18-06
SCALE	NONE WT

12 WAY PLUG  
-CE06 MOD.  
COLOR: GRAY  
DT SERIES

ENVELOPE

CP	MATL. CODE
<b>The Deutsch Company</b> DEUTSCH I.P.D. 3850 INDUSTRIAL AVE. HEMET, CALIF. 92545	
<b>B</b>	<b>DT06-12SA-CE06</b>
DWG SIZE	CODE 11139 SHEET 1 OF 1

单击下面可查看定价，库存，交付和生命周期等信息

[>>TE Connectivity\(泰科\)](#)