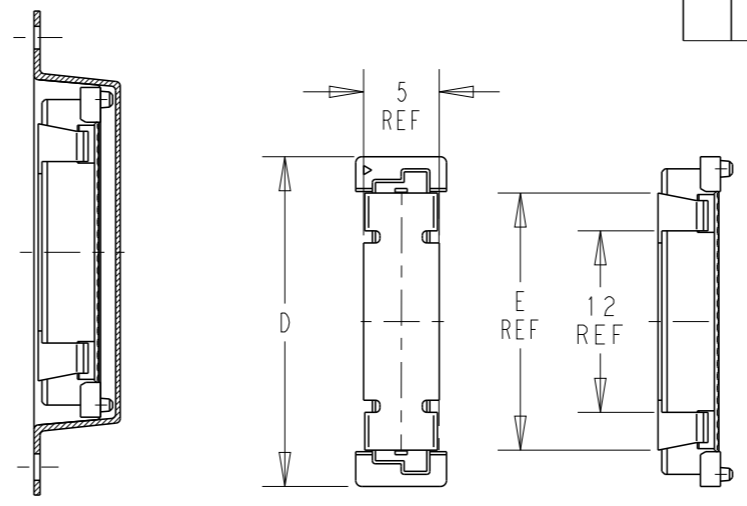
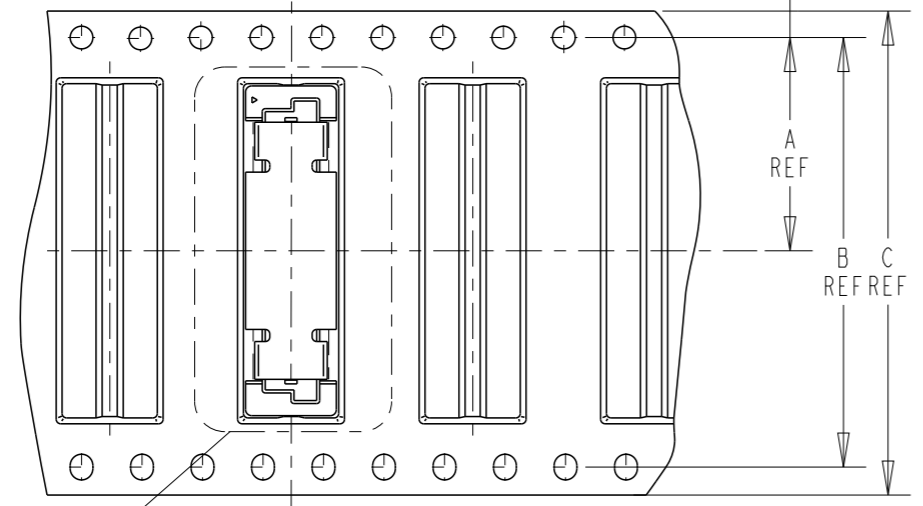


THIS DRAWING IS UNPUBLISHED. RELEASED FOR PUBLICATION 20  
 © COPYRIGHT 20 BY - ALL RIGHTS RESERVED.

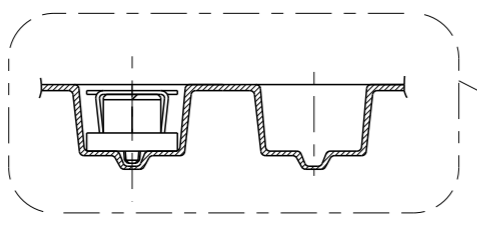
REVISIONS					
P	LTR	DESCRIPTION	DATE	DWN	APVD
	B	REVISED PER ECO-17-005660	12OCT2017	B. J	S. Y
	B1	Add dimension table on page 2	27NOV2019	AL	HL
	B2	ADD NEW P/N 1-5353999-1, REACTIVE -2	25MAR2021	A. L	H. L

DIRECTION OFF TOP OF REEL

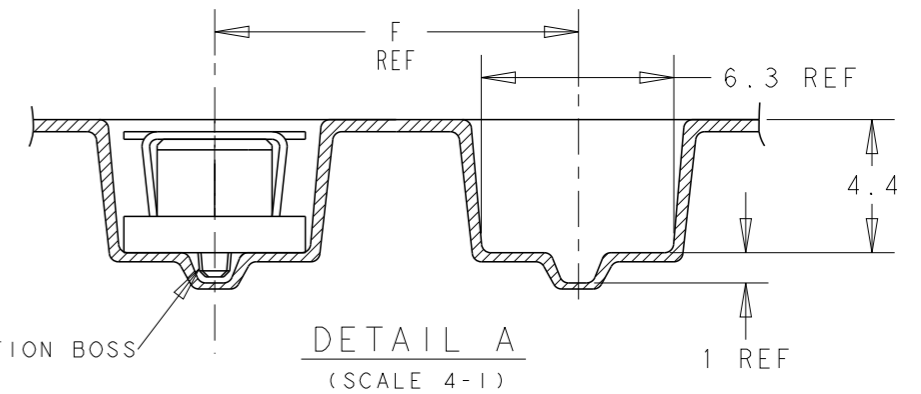


DETAIL B

DETAIL B

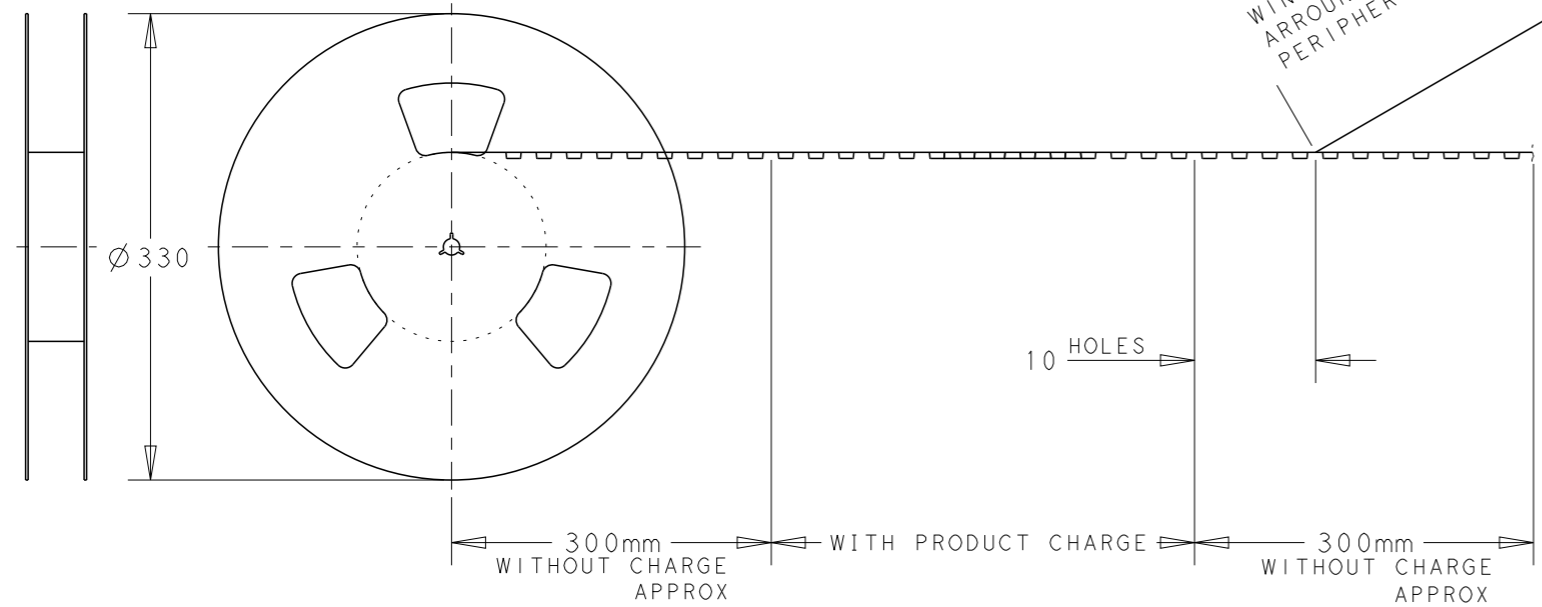


DETAIL A



DETAIL A (SCALE 4-1)

WINDING THE COVER TAPE AROUND THE OUTER PERIPHERY IN A TURN.



AVAILABLE	1000	12	17	29.8	44	40.4	20.2	60	2-	-2
		↑	↑	↑	85.8	↑	↑	↑	200	1-
				77.8	104	100.4	50.2	180		-9
				69.8	↑	↑	↑	160		-8
				61.8	88	84.4	42.2	140		-6
				53.8	↑	↑	↑	120		-5
	700	16		45.8	72	68.4	34.2	100		-4
	↑	↑		37.8	56	52.4	26.2	80		-3
				29.8	44	40.4	20.2	60		-2
	1000	12	17	21.8	32	28.4	14.2	40		5353999-1
TOOLING STATUS	QTY	F	E	D	C	B	A	POS	PART NO.	

NOTES:

- 5 OBSOLETE PARTS: OBSOLETE CIS STREAMLINING PER D.RENAUD/D.SINISI
- 6 CONNECTOR WITH BLACK HOUSING

LOW HALOGEN

THIS DRAWING IS A CONTROLLED DOCUMENT.	
DIMENSIONS: mm	TOLERANCES UNLESS OTHERWISE SPECIFIED:
	0 PLC ±-
	1 PLC ±0.3
	2 PLC ±0.25
	3 PLC ±0.2
	4 PLC ±-
	ANGLES ±-
MATERIAL	FINISH

16SEP04  
 DWN FLORENCE TAN  
 CHK ERIC TNG  
 APVD SE LEONG  
 PRODUCT SPEC 108-5390  
 APPLICATION SPEC -  
 WEIGHT -

**STE** TE Connectivity

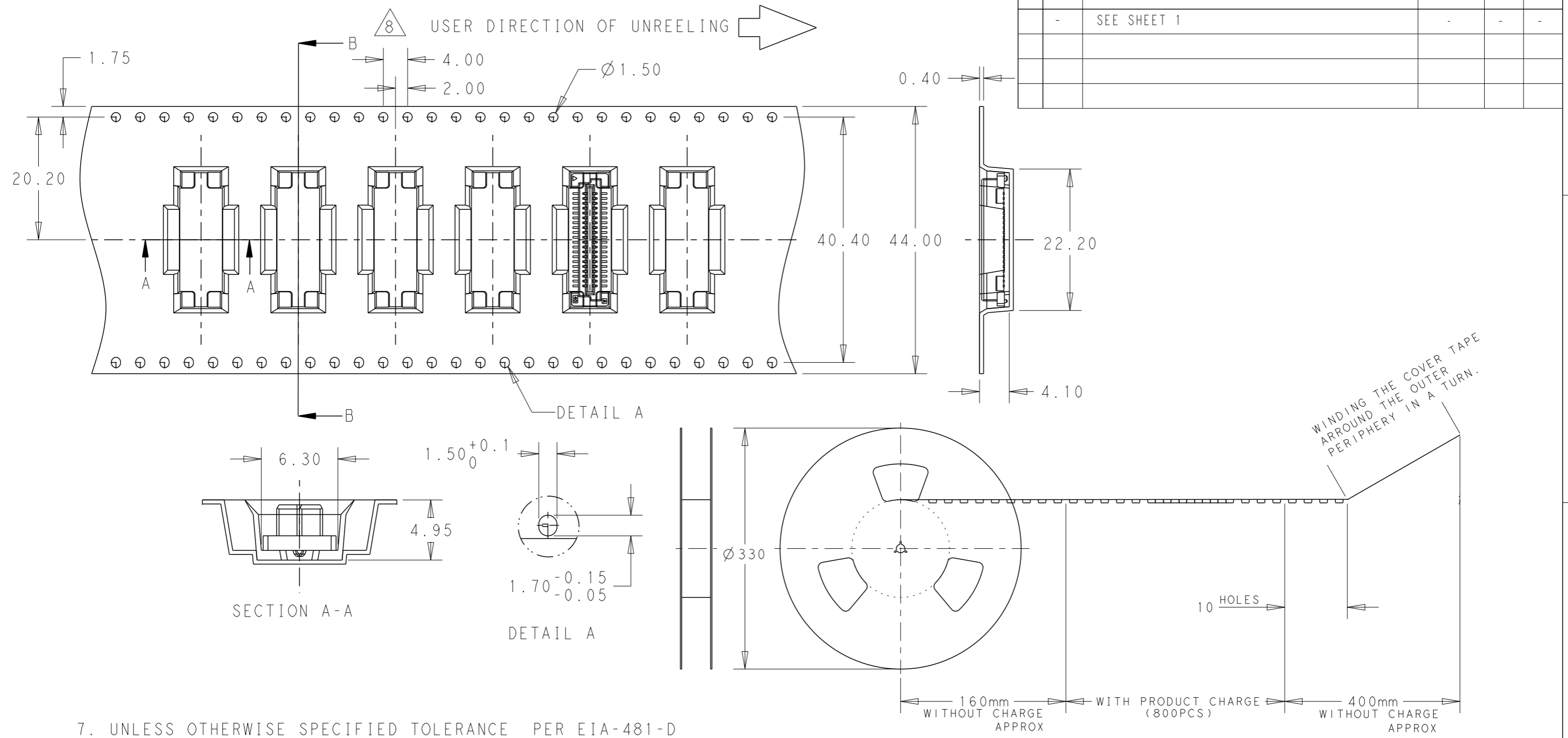
NAME REC ASSY, 5H, 0.76 GOLD  
 0.8FH, BTB CONNECTOR  
 0.5 BOSS LENGTH

SIZE	CAGE CODE	DRAWING NO	RESTRICTED TO
A3	00779	C-5353999	-

CUSTOMER DRAWING SCALE 4:1 SHEET 1 OF 3 REV B2

THIS DRAWING IS UNPUBLISHED. RELEASED FOR PUBLICATION 20  
 © COPYRIGHT 20 BY - ALL RIGHTS RESERVED.

REVISIONS					
P	LTR	DESCRIPTION	DATE	DWN	APVD
-	-	SEE SHEET 1	-	-	-




7. UNLESS OTHERWISE SPECIFIED TOLERANCE PER EIA-481-D

8 USER DIRECTION OF UNREELING.

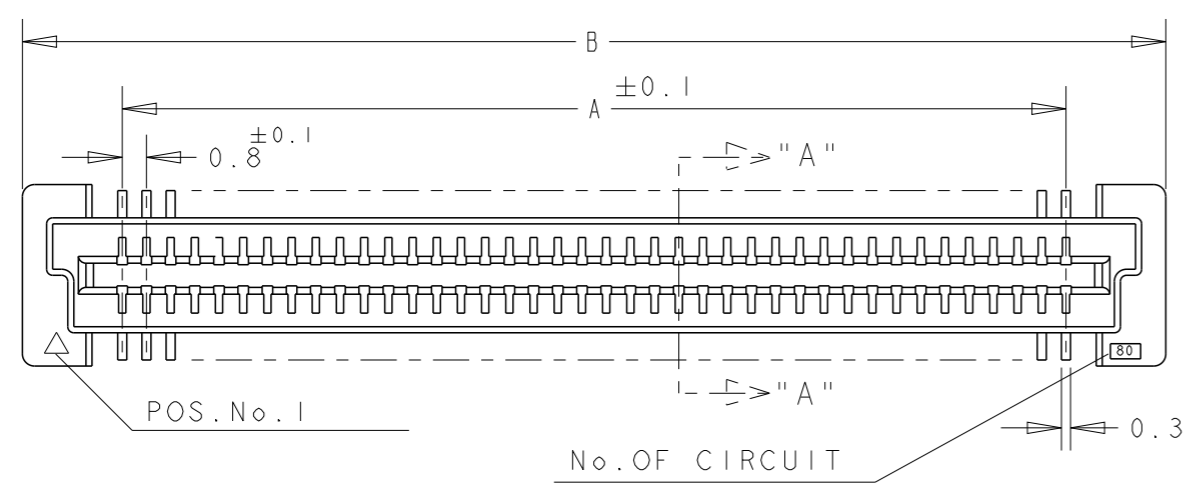
9. REEL CONFIGURATION AND DIMENSIONS PER EIA-481-2-A OR ENGINEERING APPROVED EQUIVALENTS.

1-5353999-1 EMBOSS PACKAGE AS SHOWN (WITHOUT COVER)

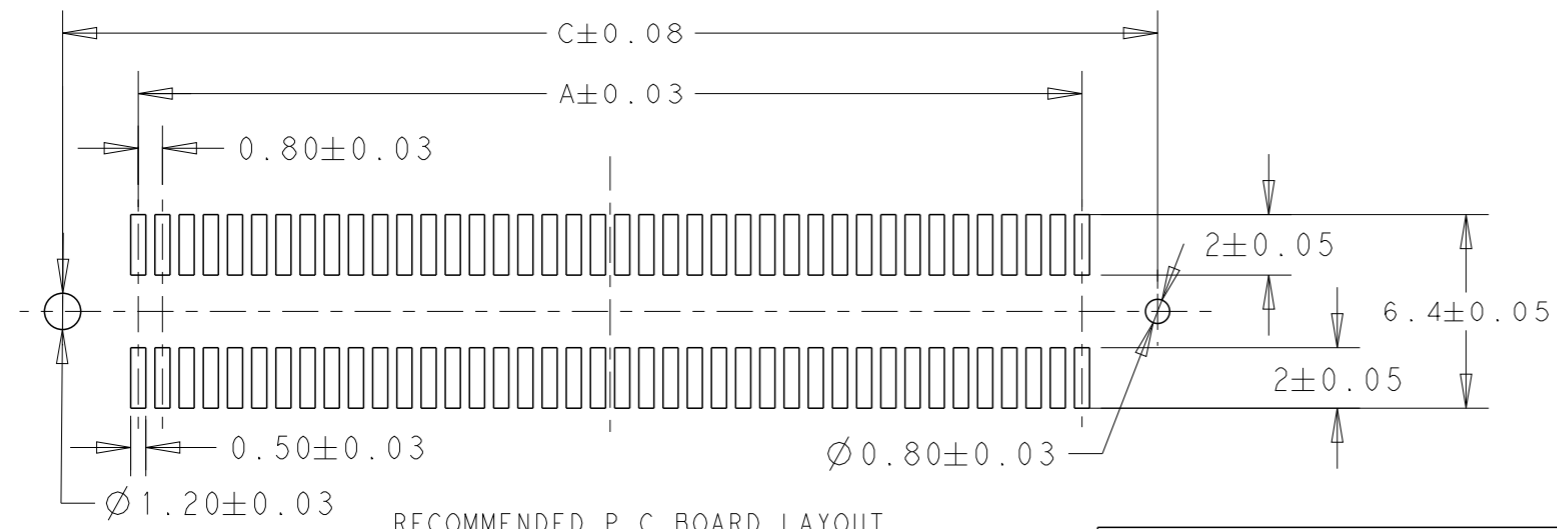
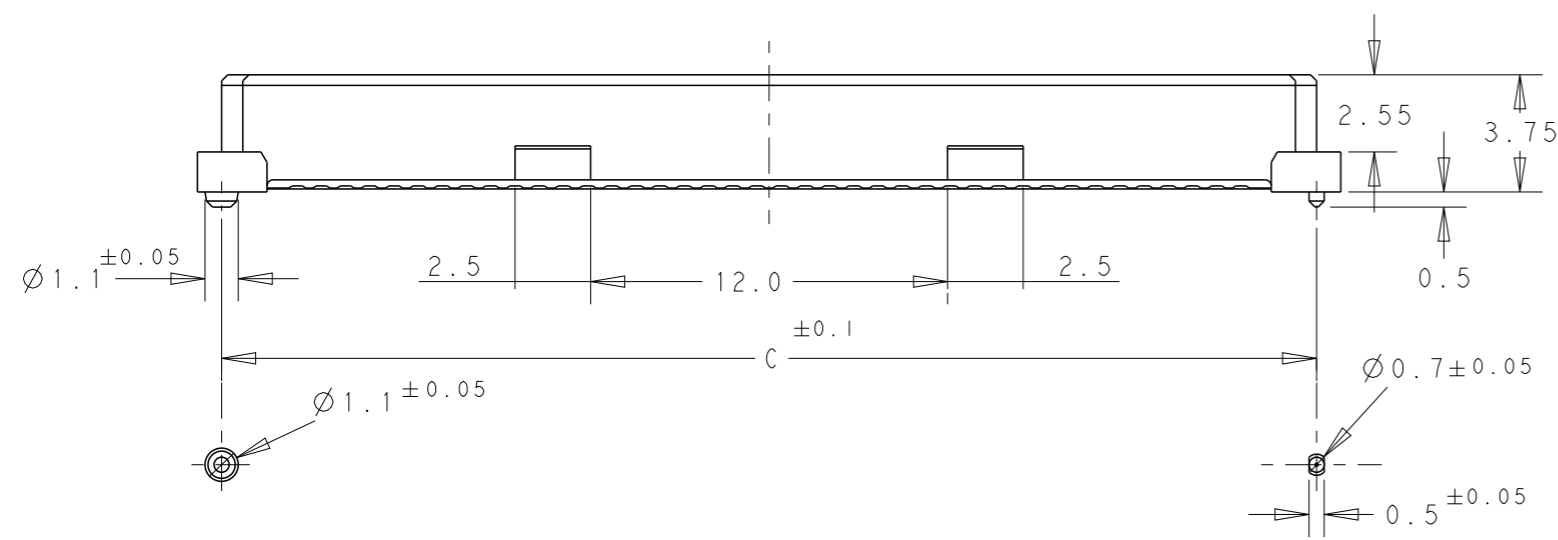
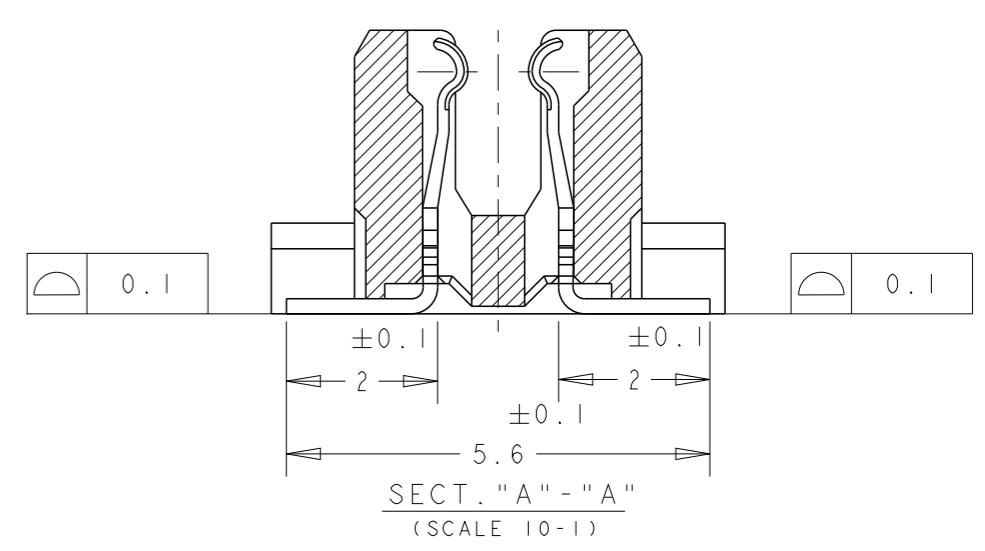
THIS DRAWING IS A CONTROLLED DOCUMENT.		DWN 16SEP04 FLORENCE TAN	 TE Connectivity	
DIMENSIONS: mm		CHK ERIC TNG		
TOLERANCES UNLESS OTHERWISE SPECIFIED:		APVD SF LEONG	NAME REC ASSY, 5H, 0.76 GOLD	
0 PLC ±-		PRODUCT SPEC 108-5390	0.8FH, BTB CONNECTOR	
1 PLC ±0.3		APPLICATION SPEC -	0.5 BOSS LENGTH	
2 PLC ±0.25		WEIGHT -	SIZE A3	CAGE CODE 00779
3 PLC ±0.2		CUSTOMER DRAWING	DRAWING NO C-5353999	RESTRICTED TO -
4 PLC ±-			SCALE 4:1	SHEET 2 OF 3
ANGLES ±-				REV B2
FINISH -				

THIS DRAWING IS UNPUBLISHED. RELEASED FOR PUBLICATION 20  
 © COPYRIGHT 20 BY - ALL RIGHTS RESERVED.

REVISIONS					
P	LTR	DESCRIPTION	DATE	DWN	APVD
-	-	SEE SHEET 1	-	-	-



LOW HALOGEN



84.2	85.8	79.2	200
76.2	77.8	71.2	180
68.2	69.8	63.2	160
60.2	61.8	55.2	140
52.2	53.8	47.2	120
44.2	45.8	39.2	100
36.2	37.8	31.2	80
28.2	29.8	23.2	60
20.2	21.8	15.2	40
C	B	A	POS.

- NOTES:
- 1 MATERIAL: HOUSING: L.C.P. (HIGH TEMP. THERMOPLASTIC)  
UL 94V-0, NATURAL.  
CONTACT: BERYLIUM COPPER.
  - 2 FINISH: CONTACT AREA: 0.00076 MIN GOLD ON  
0.0013 MIN ALL OVER NICKEL.  
SOLDERING AREA: 0.002 MIN MATTE-TIN.
  - 3. POSITION SERIES: SEE TABLE.
  - 4. CONN STACK HEIGHT COMBINE OF PLUG "Y" H VS REC "X" H.  
STACK HEIGHT = Y + X - 5

RECOMMENDED P.C. BOARD LAYOUT

THIS DRAWING IS A CONTROLLED DOCUMENT.	
DIMENSIONS: mm	TOLERANCES UNLESS OTHERWISE SPECIFIED:
	0 PLC ±0.3
	1 PLC ±0.25
	2 PLC ±0.2
	3 PLC ±0.2
	4 PLC ±0.2
	ANGLES ±
MATERIAL	FINISH

DWN	16SEP04
FLORENCE TAN	
CHK	ERIC TNG
APVD	SE LEONG
PRODUCT SPEC	108-5390
APPLICATION SPEC	-
WEIGHT	-
CUSTOMER DRAWING	

**STE** TE Connectivity

NAME: REC ASSY, 5H, 0.76 GOLD  
0.8FH, BTB CONNECTOR  
0.5 BOSS LENGTH

SIZE	CAGE CODE	DRAWING NO	RESTRICTED TO
A3	00779	C-5353999	-

SCALE 4:1 SHEET 3 OF 3 REV B2

单击下面可查看定价，库存，交付和生命周期等信息

[>>TE Connectivity\(泰科\)](#)