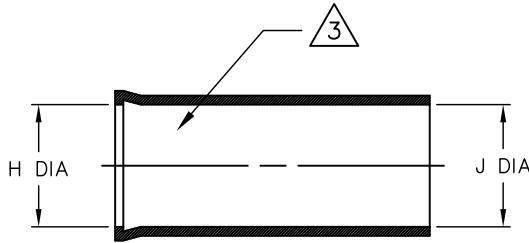


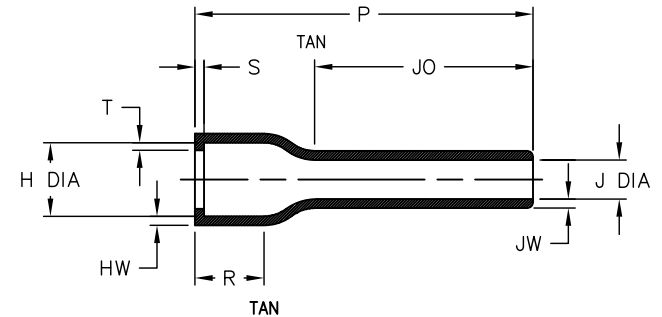
REVISIONS		
LTR	DESCRIPTION	DATE
B	REVISED PER ECO-11-002238	01/31/2011

NOTES

- ALL DIMENSIONS ARE IN INCHES
[MILLIMETERS]
- DIMENSIONS APPEARING IN TABLE ARE AS FOLLOWS:
a - AS SUPPLIED
b - AFTER UNRESTRICTED RECOVERY
- COATING (ADHESIVE): IS OPTIONAL AS SUPPLIED DIMENSIONS APPEARING IN TABLE ARE FOR UNCOATED PARTS. WHEN COATING IS ADDED, ENTRY DIAMETER WILL BE REDUCED BY .06 [1.5] MAX.



AS SUPPLIED



AFTER UNRESTRICTED RECOVERY

4. ORDERING INFORMATION

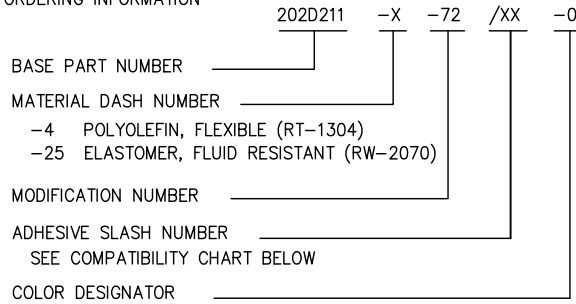


TABLE OF DIMENSIONS

PART DESCRIPTION	H		J		P ±10% b	R REF b	S REF b	T REF b	JO ±10% b	HW ±20% b	JW ±20% b
	MIN	MAX	MIN	MAX							
	a	b	a	b							
202D211-X-72	.88 [22,4]	.45 [11,4]	.88 [22,4]	.25 [6,3]	2.50 [63,5]	.46 [11,7]	.12 [3,0]	.04 [1,0]	1.73 [43,9]	.06 [1,52]	.045 [1,1]

If this document is printed it becomes uncontrolled. Check for the latest revision

CUSTOMER DRAWING

COMPATIBILITY CHART

MATERIAL DASH NO.	ADHESIVE (COATING) SLASH NUMBER	ADHESIVE (COATING) S NUMBER
-4	/42; /86	S-1017; S-1048
-25	N/A	N/A

UNLESS OTHERWISE SPECIFIED DIMENSIONS ARE INCHES. METRIC DIMENSIONS ARE IN BRACKETS.
DECIMAL TOLERANCES
.XXX ± 0.005 [0.13 mm]
.XX ± 0.01 [0.25 mm]
.X ± 0.1 [0.50 mm]
ANGLE TOLERANCE
.X ± 1 DEG.

DRAWN
UNGUYEN
APPROVED
DHURRELL
THIRD ANGLE PROJECTION

Tyco Electronics Raychem Molded Parts
305 Constitution Dr
Menlo Park, CA 94025

TITLE
BOOT, STRAIGHT, WITH LIP

SIZE B CODE IDENT. NO. 06090 DWG. NO. 202D211-X-72

© 2007-2011 Tyco Electronics Corporation. All rights reserved. DO NOT SCALE THIS DRAWING SHEET 1 OF 1

单击下面可查看定价，库存，交付和生命周期等信息

[>>TE Connectivity\(泰科\)](#)