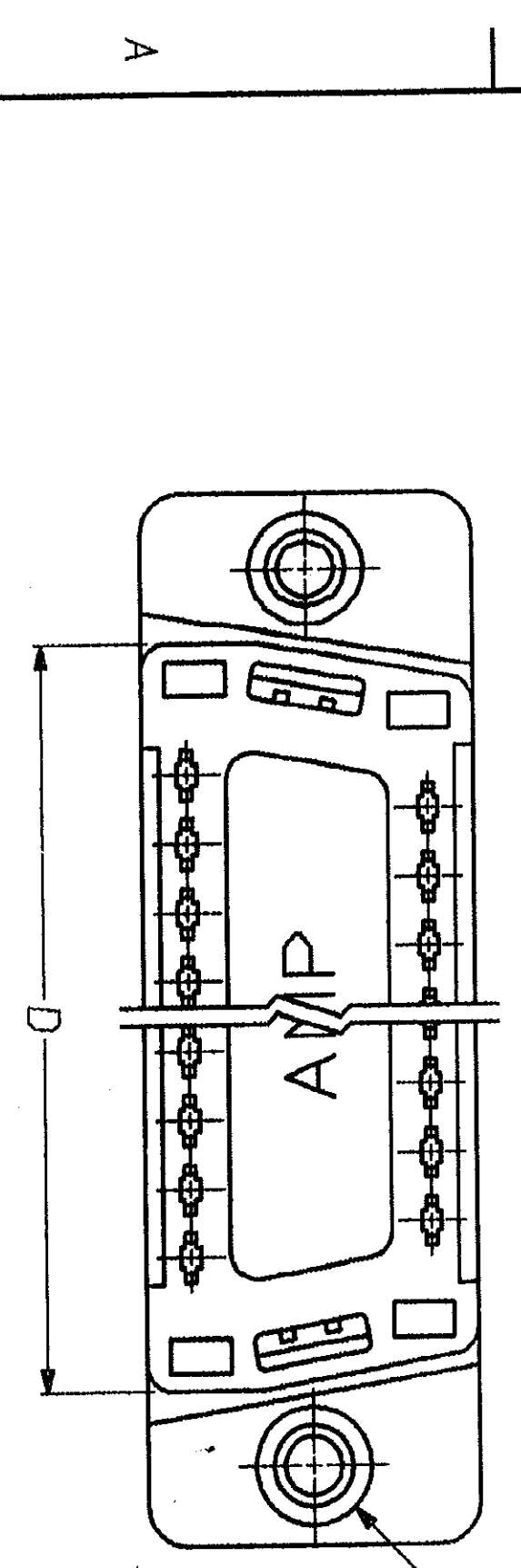
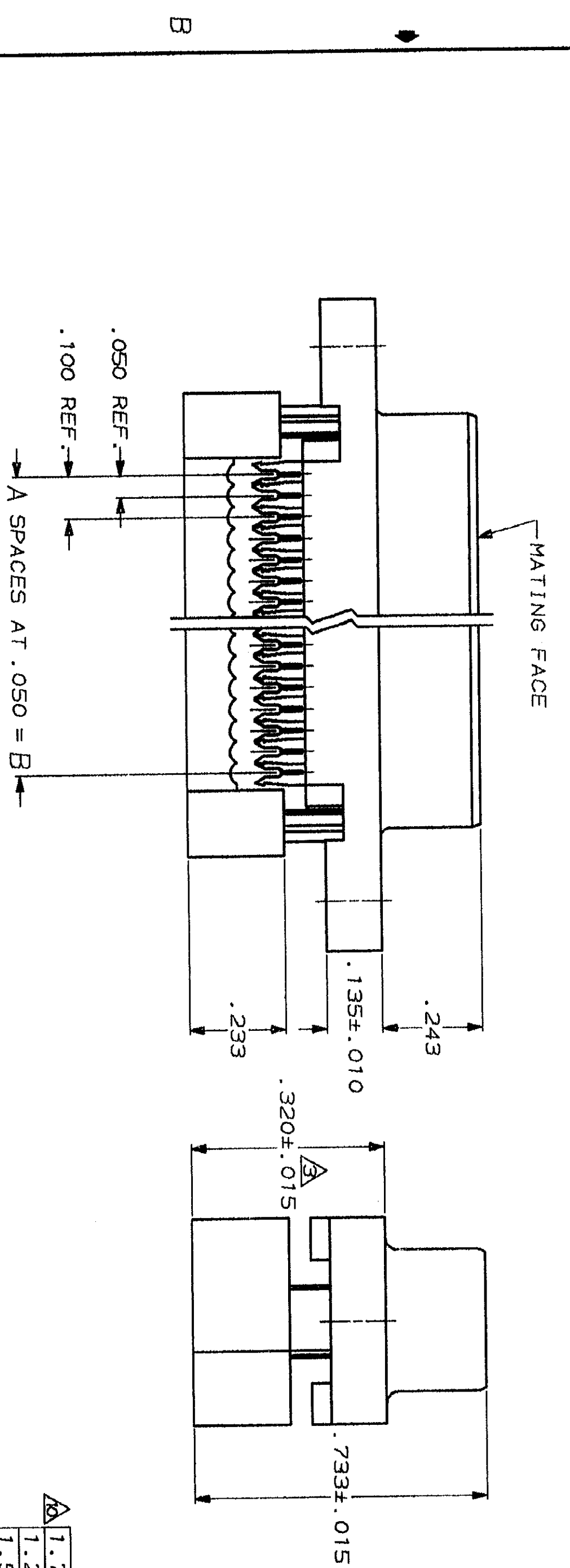
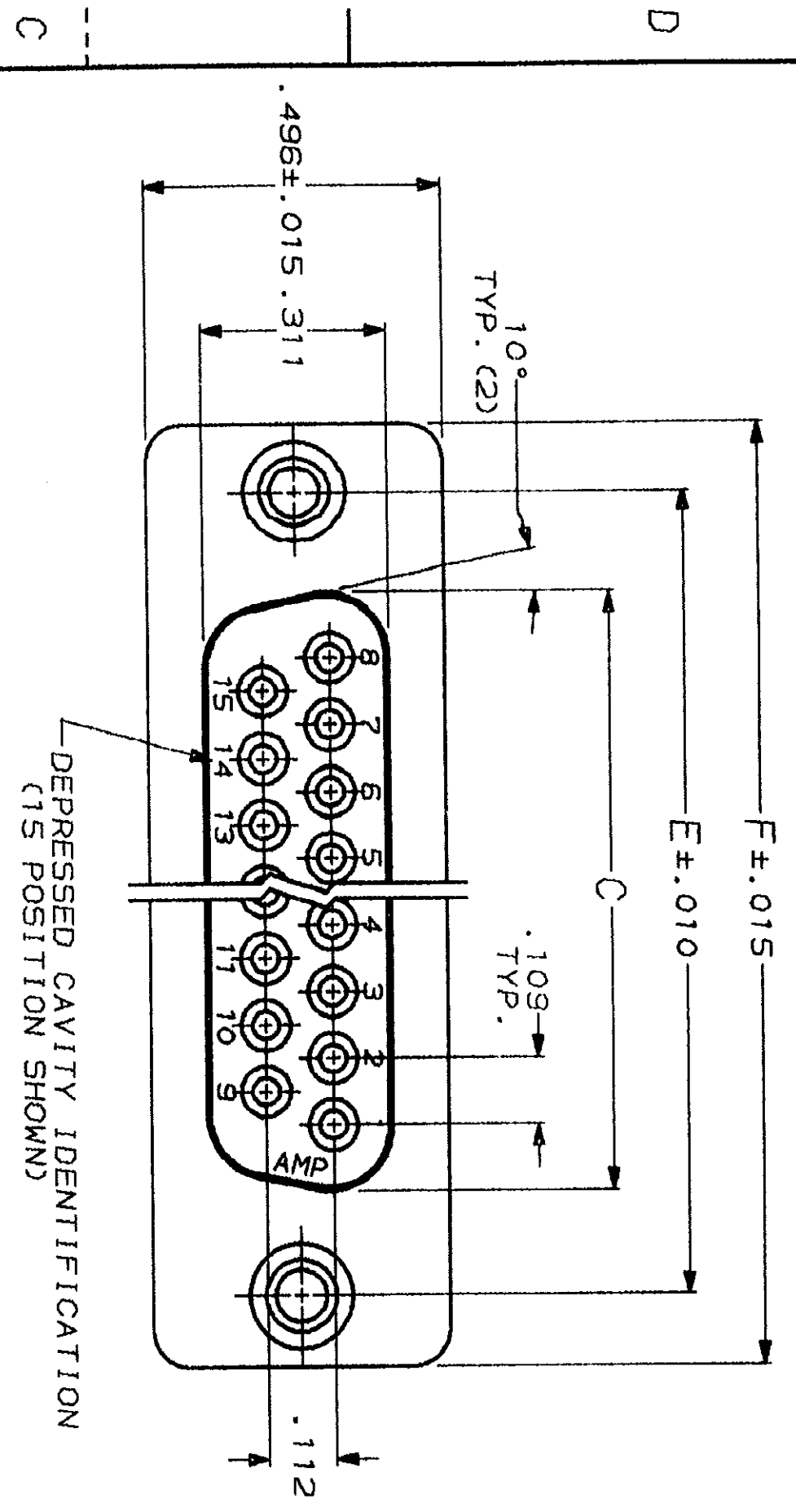


THIS DRAWING IS UNPUBLISHED. RELEASED FOR PUBLICATION
 © COPYRIGHT 19 BY AMP INCORPORATED, HARRISBURG, PA. ALL INTERNATIONAL RIGHTS RESERVED. AMP PRODUCTS MAY BE COVERED BY U.S. AND FOREIGN PATENTS AND/OR PATENTS PENDING.



- CONNECTORS COMPLY WITH AMP SPEC. 108-40, 012 AND MATE WITH ANY SAME NUMBER POSITION PLUG CONNECTOR IN AMPLIMITE SERIES.
- CONNECTOR DESIGNED FOR 28 AND 26 AWG STRANDED AND SOLID CONDUCTOR RIBBON CABLE ON .050φ.
- DIMENSION APPLIES TO TERMINATED CONNECTOR.
- INSERTS WILL WITHSTAND 6 IN. LBS. TORQUE AND 50 LBS. PULL OUT FORCE FROM MATING FACE SIDE.
- MOLDED PARTS: FLAME RETARDANT 94V-0 RATED THERMOPLASTIC; COLOR: BLACK.
- PHOS. BRONZE PER QQ-B-750.
- BRASS PER MIL-C-50.
- GOLD PLATING PER MIL-G-45204, BRIGHT TIN PLATING PER MIL-T-10727, TIN LEAD PLATING PER MIL-P-81728, NICKEL PLATING PER QQ-N-290.
- PLATED WITH .000030 GOLD IN LOCALIZED GOLD PLATE AREA, .000100-.000200 BRIGHT TIN LEAD ON TERMINATION END, ALL OVER .000050 NICKEL ON ENTIRE CONTACT.
- ADVANCED PART NUMBER, NOT PRODUCTION TOOLED.

REVISIONS				MOD	LOC	DIST
P	F	ZONE	LTR	DESCRIPTION	DATE	APPROVED
				01 REV PER ECN 0520	J.P.	10-18-82
				A REVISED ECN-CF1457		10-28-82
				B REV PER ECN B02622		2-18-83
				C REV PER ECN B04356		08/18/90

NO.	DESCRIPTION	DATE	APPROVED
1	1.764 1.526 1.287 1.140 .900 18 19 747051-5		
2	1.216 .984 .759 .643 .400 8 9 747051-4		
3	1.541 1.312 1.087 .971 .700 14 15 747051-3		
4	2.090 1.852 1.623 1.511 1.200 24 25 747051-2		
5	2.732 2.500 2.275 2.159 1.800 36 37 747051-1		

UNLESS OTHERWISE SPECIFIED DIMENSIONS ARE IN INCHES. TOLERANCES ON DECIMALS ± .005 ANGLES ± 2°

MATERIAL: MOLDED PARTS: A FINISH: CONTACTS: UNPLATED INSERTS: A

CONTRACT NO: DR J. GERACE 11-1-82
 CHK J. GERACE 11-1-82
 APPD R. LEGGETT 11-5-82
 APPD E. GILL 11-8-82

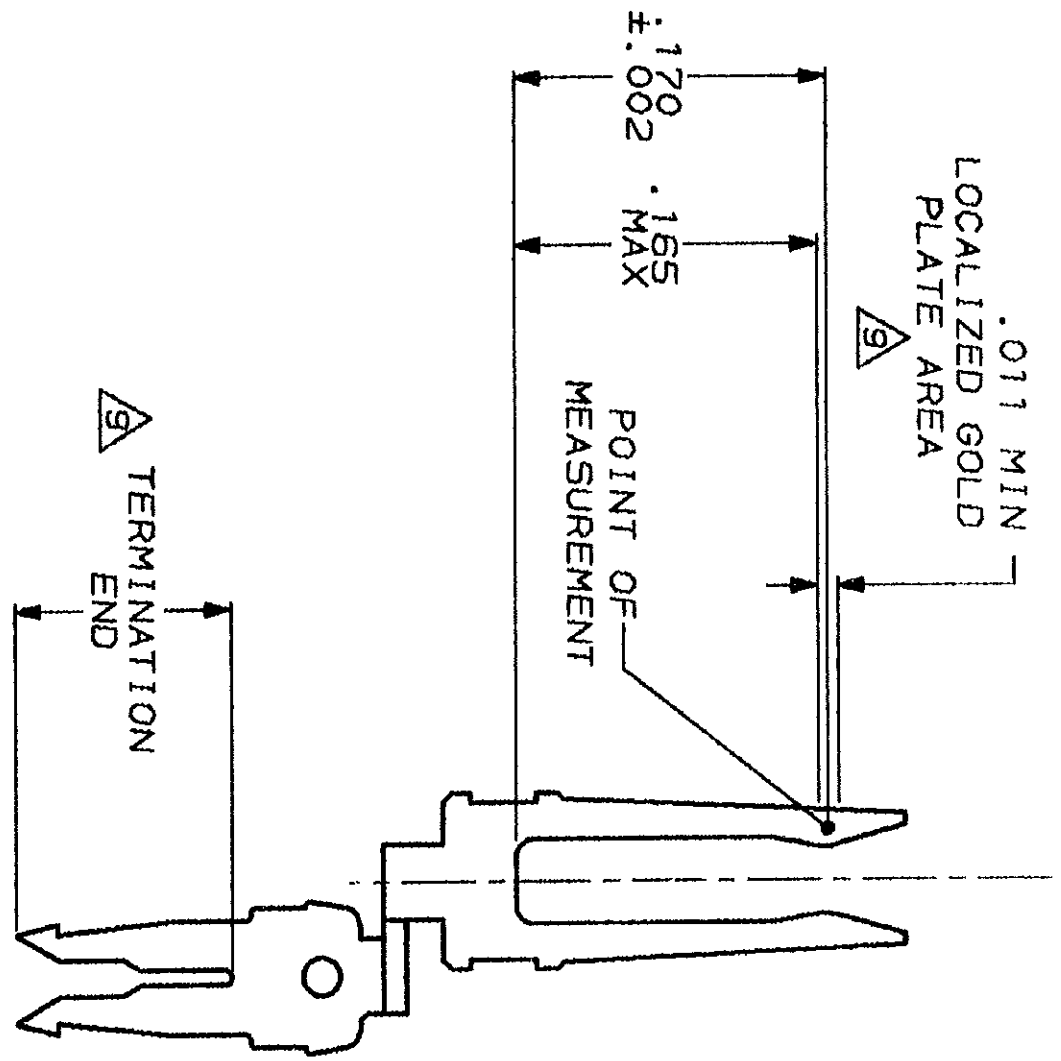
AMP INCORPORATED
 HARRISBURG, PA.

RECEPTACLE ASSEMBLY, LOW PROFILE
 HDF, W/ PREASSEMBLED COVER &
 THREADED INSERTS

SIZE: C FSOM NO: 00779 DRAWING NO: 747051
 SCALE: NTS SHEET: 1 OF 2

DRAWING MADE IN THIRD ANGLE PROJECTION
 THIS DRAWING IS UNPUBLISHED. RELEASED FOR PUBLICATION
 COPYRIGHT 1987 BY AMP INCORPORATED. ALL INTERNATIONAL RIGHTS RESERVED.

MOD	LOC	Q137	REVISIONS	
20	BD	39	P	F
			ZONE	LTR
			C	SEE SHEET 1
			DATE	APPD



CONTACT DETAIL
 SCALE 10:1

DO NOT SCALE PRINT. UNLESS SPECIFIED DIMENSIONS IN INCHES TOLERANCES ON:		DR 11-3-87 M. EPLER	NAME RECEPTACLE ASSEMBLY, LOW PROFILE HDF, W/ PREASSEMBLED COVER & THREADED INSERTS	
2 PLC DEC #	-	CHK 11-3-87 W. G. LENKER	AMP	AMP INCORPORATED Harrisburg, Pa. 17105
3 PLC DEC #	.005	APPD -	SIZE	FSCH NO
ANGLES	± 2°	PRODUCT SPEC	C	00779
MATERIAL	-	APPLICATION SPEC	SCALE	NTS
FINISH	-	WEIGHT	DRAWING NO	747051
			SHEET	2 OF 2

CUSTOMER DRAWING

AMP 1471-B REV 3-87
 19 SEP 1990 14:24:40 AMP7098

747051

单击下面可查看定价，库存，交付和生命周期等信息

[>>TE Connectivity\(泰科\)](#)