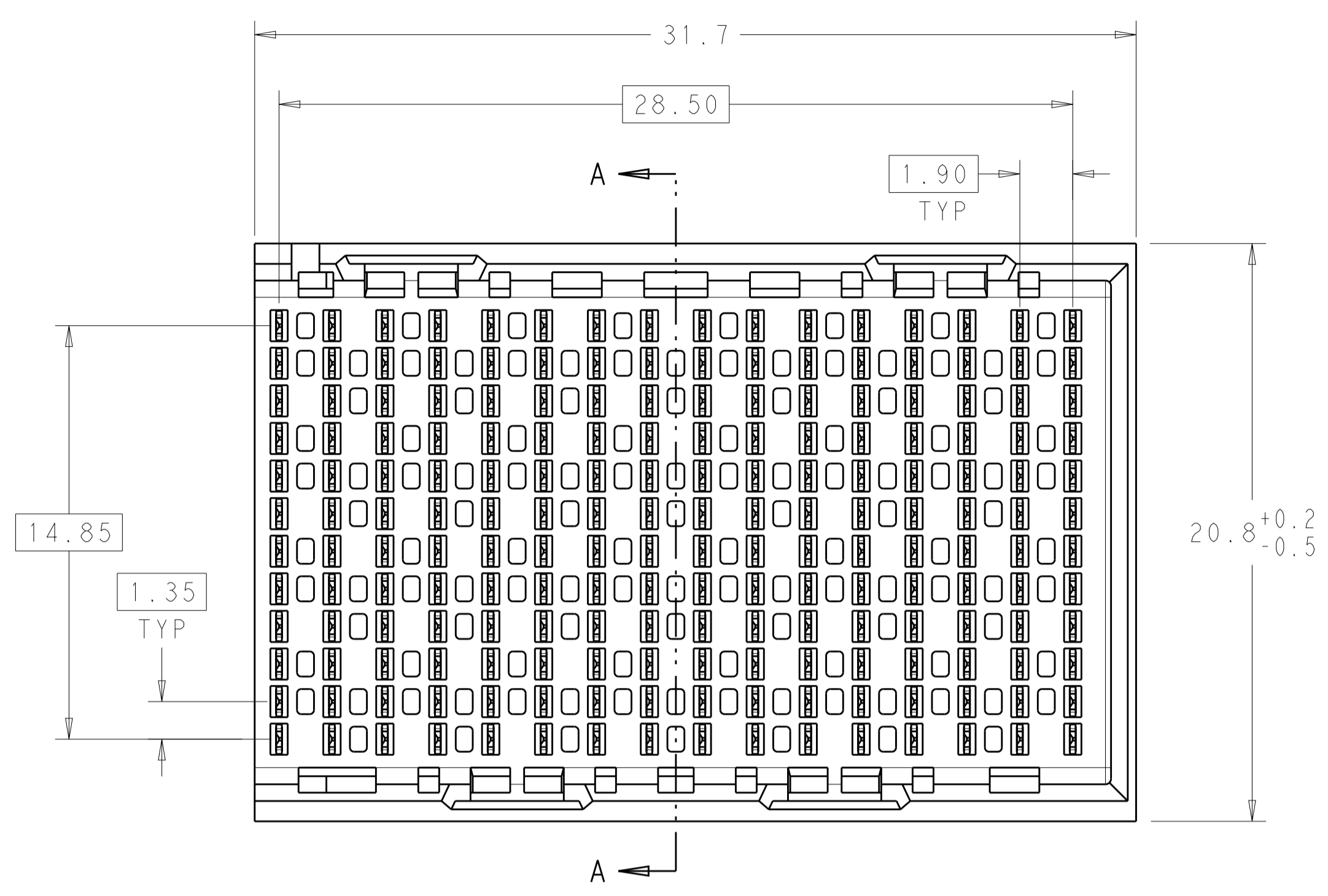
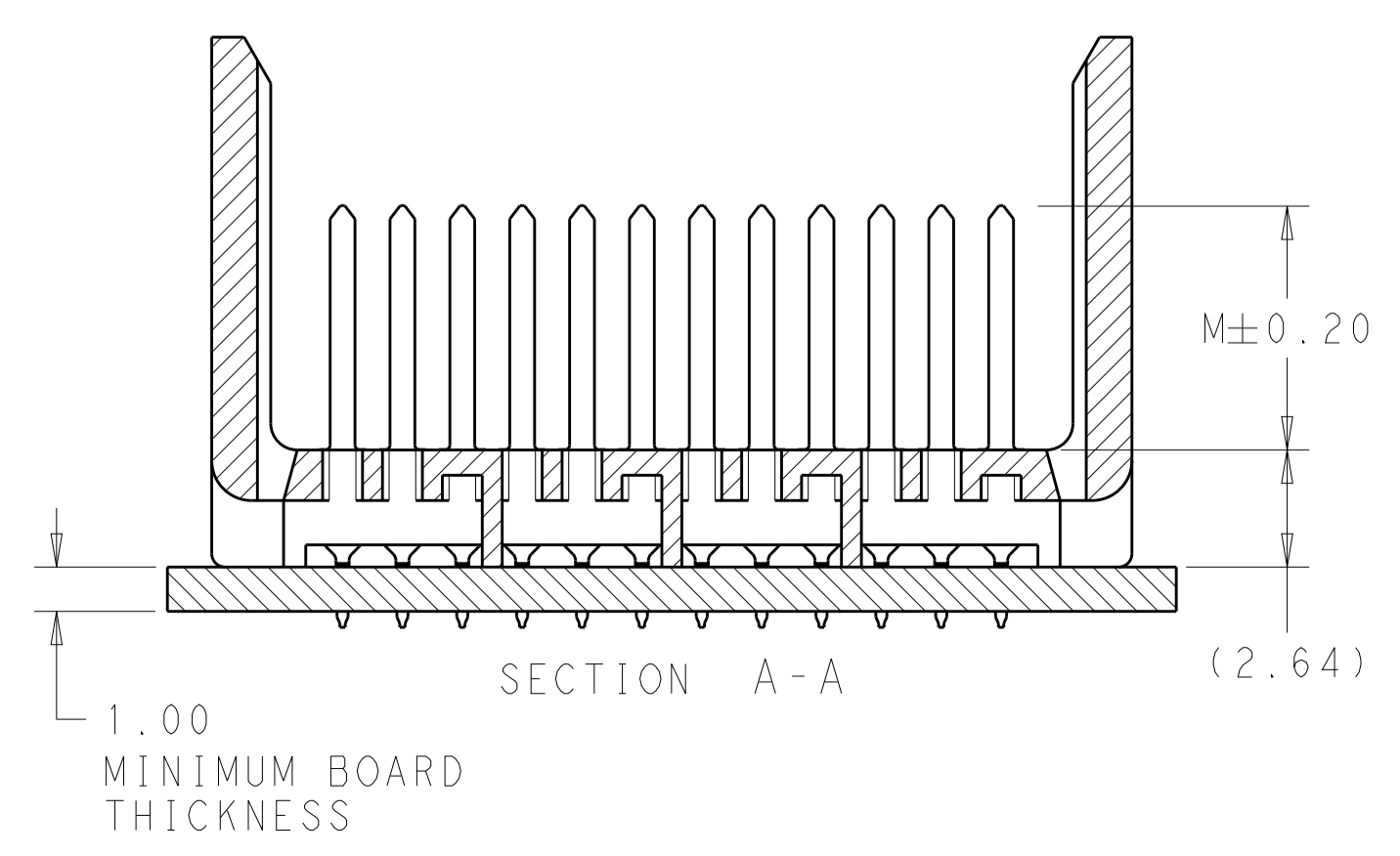
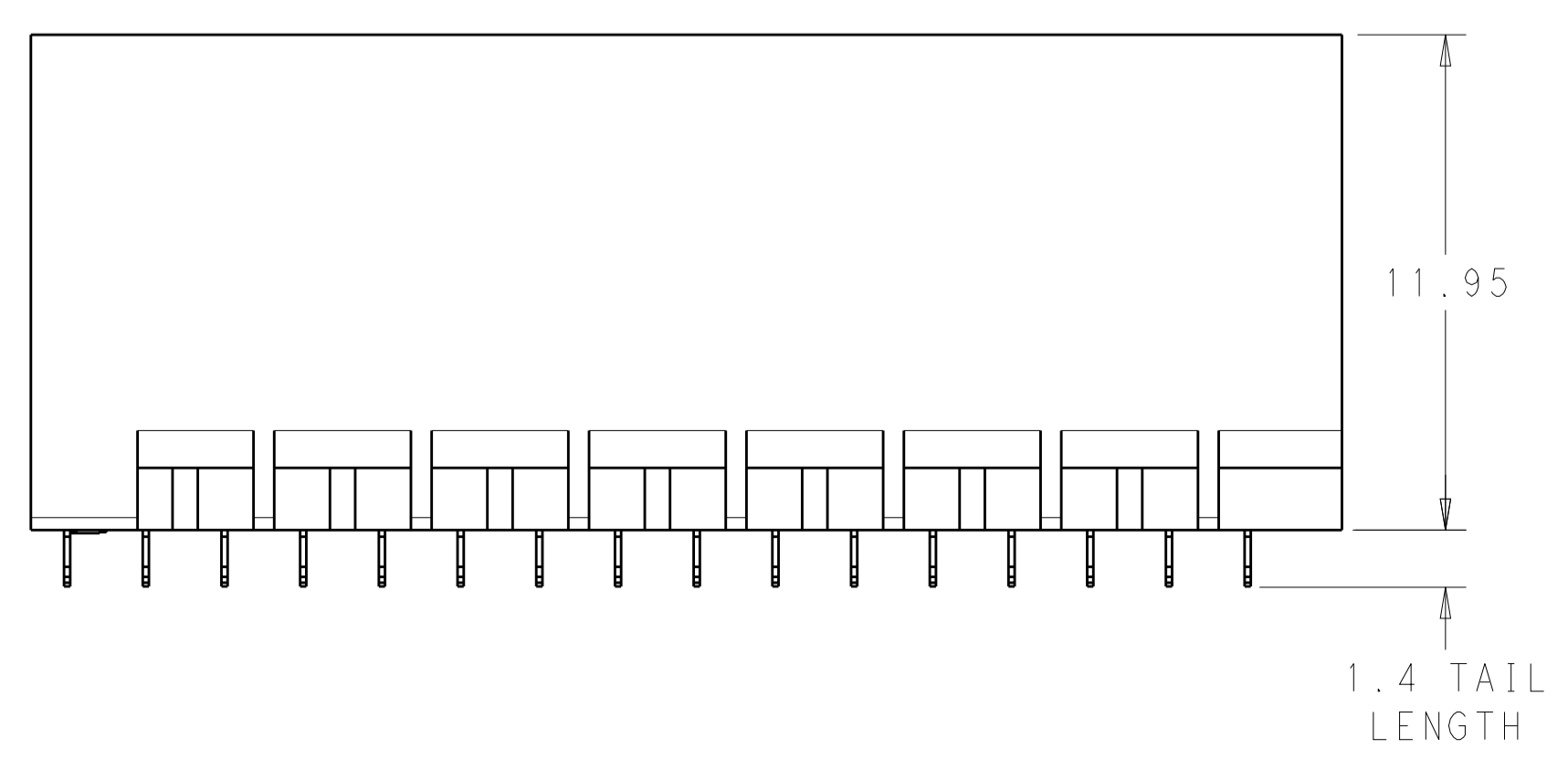
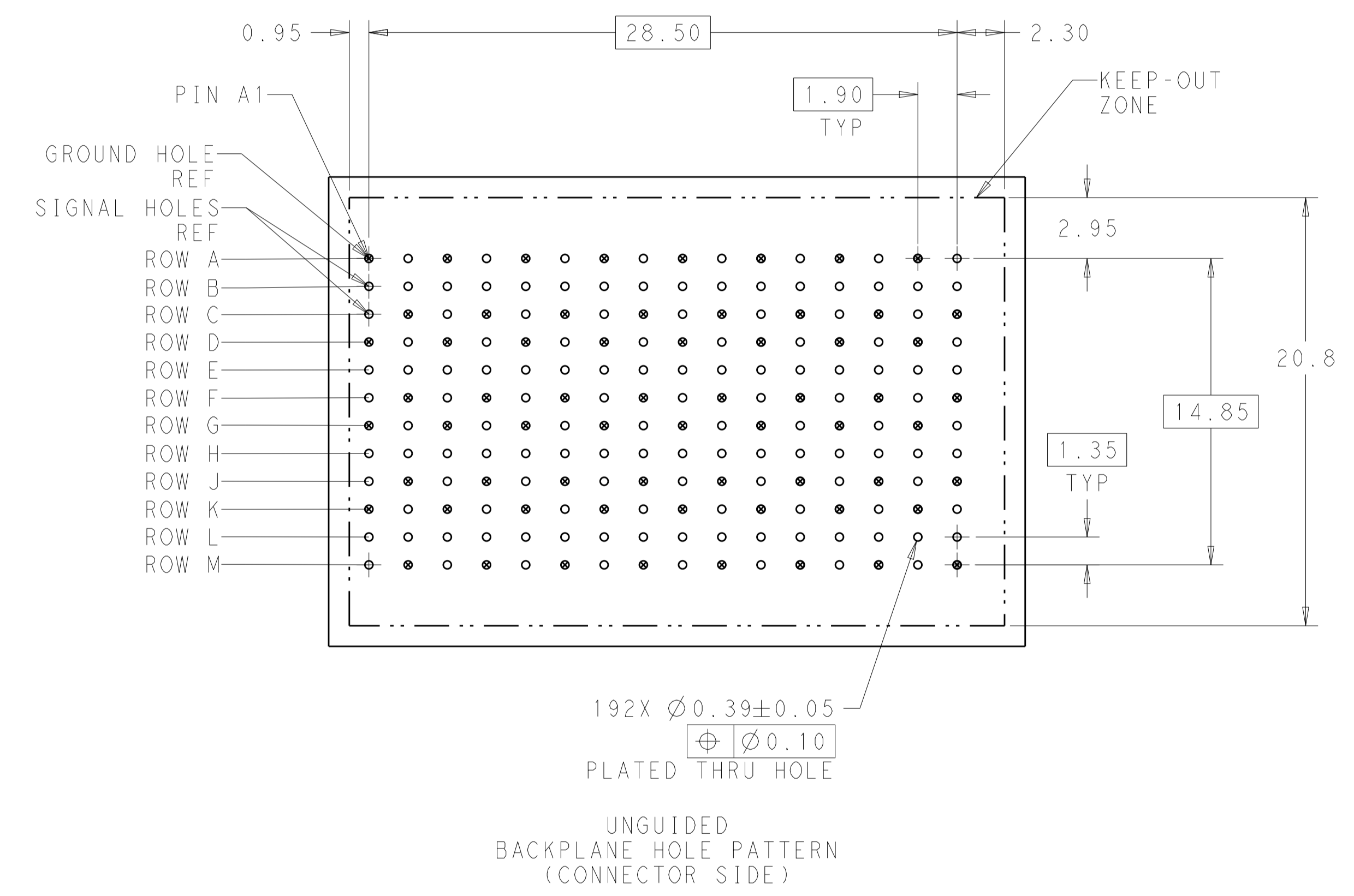
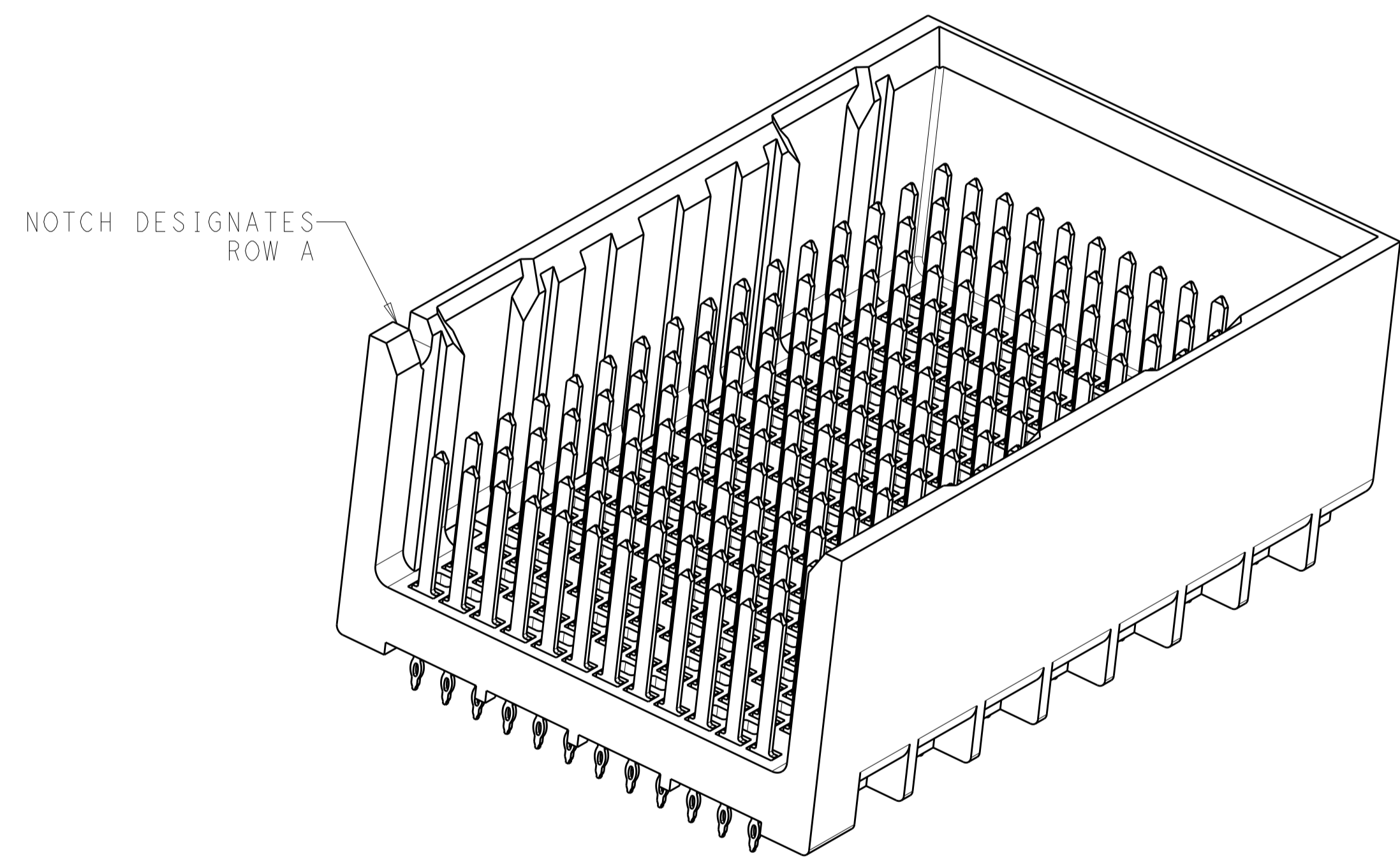


LOC		DIST		REVISIONS			
AD	00	P	LTN	DESCRIPTION	DATE	DWN	APVD
		B1		REVISED PER ECO-15-001494	05FEB2015	AP	DD



MATERIAL:
 HOUSING: LCP, GLASS FILLED, UL94V-0.
 TERMINALS: HIGH PERFORMANCE COPPER ALLOY.

FINISH:
 30μ" MIN GOLD IN CONTACT AREA. SELECTIVE TIN
 ON PCB TAILS, NICKEL OVERALL..



THIS DRAWING IS A CONTROLLED DOCUMENT.		DWN: J. K. SHOBER 13JAN2011	 TE Connectivity
DIMENSIONS: mm		CHK: J. EARY 13JAN2011	
TOLERANCES UNLESS OTHERWISE SPECIFIED:		APVD: J. EARY 13JAN2011	NAME: IMPACT, 4 PAIR, 16 COLUMN, HEADER UNGUIDED, RIGHT END WALL SIGNAL MODULE, 0.39 PTH
0 PLC ±	1 PLC ±0.25	PRODUCT SPEC	SIZE: CAGE CODE DRAWING NO. RESTRICTED TO
2 PLC ±0.13	3 PLC ±	APPLICATION SPEC	A100779C=2007839
4 PLC ±	ANGLES ±	WEIGHT	CUSTOMER DRAWING
FINISH: SEE TABLE		SCALE: 6:1	SHEET 1 OF 2

THIS DRAWING IS UNPUBLISHED.	RELEASED FOR PUBLICATION	20
© COPYRIGHT 20	ALL RIGHTS RESERVED.	

LOC	DIST	REVISIONS					
		P	LTN	DESCRIPTION	DATE	DMN	APVD
AD	00	-	-	SEE SHEET 1	-	-	-

	5.5	2007839-3
	4.9	2007839-2
	4.5	2007839-1
FINISH	DIM M	PART NUMBER

REFER TO WWW.TE.COM
FOR PRODUCT AVAILABILITY

THIS DRAWING IS A CONTROLLED DOCUMENT.		DMN J. K. SHOBER 13JAN2011	
DIMENSIONS: mm		CHK J. EARY 13JAN2011	
TOLERANCES UNLESS OTHERWISE SPECIFIED: 0 PLC ± 1 PLC ±0.25 2 PLC ±0.13 3 PLC ± 4 PLC ± ANGLES ±		APVD J. EARY 13JAN2011	NAME IMPACT, 4 PAIR, 16 COLUMN, HEADER UNGUIDED, RIGHT END WALL SIGNAL MODULE, 0.39 PTH
MATERIAL -		FINISH SEE TABLE	RESTRICTED TO -
CUSTOMER DRAWING		WEIGHT -	SIZE A100779
SCALE 5:1		SHEET 2	OF 2
REV B1			

单击下面可查看定价，库存，交付和生命周期等信息

[>>TE Connectivity\(泰科\)](#)