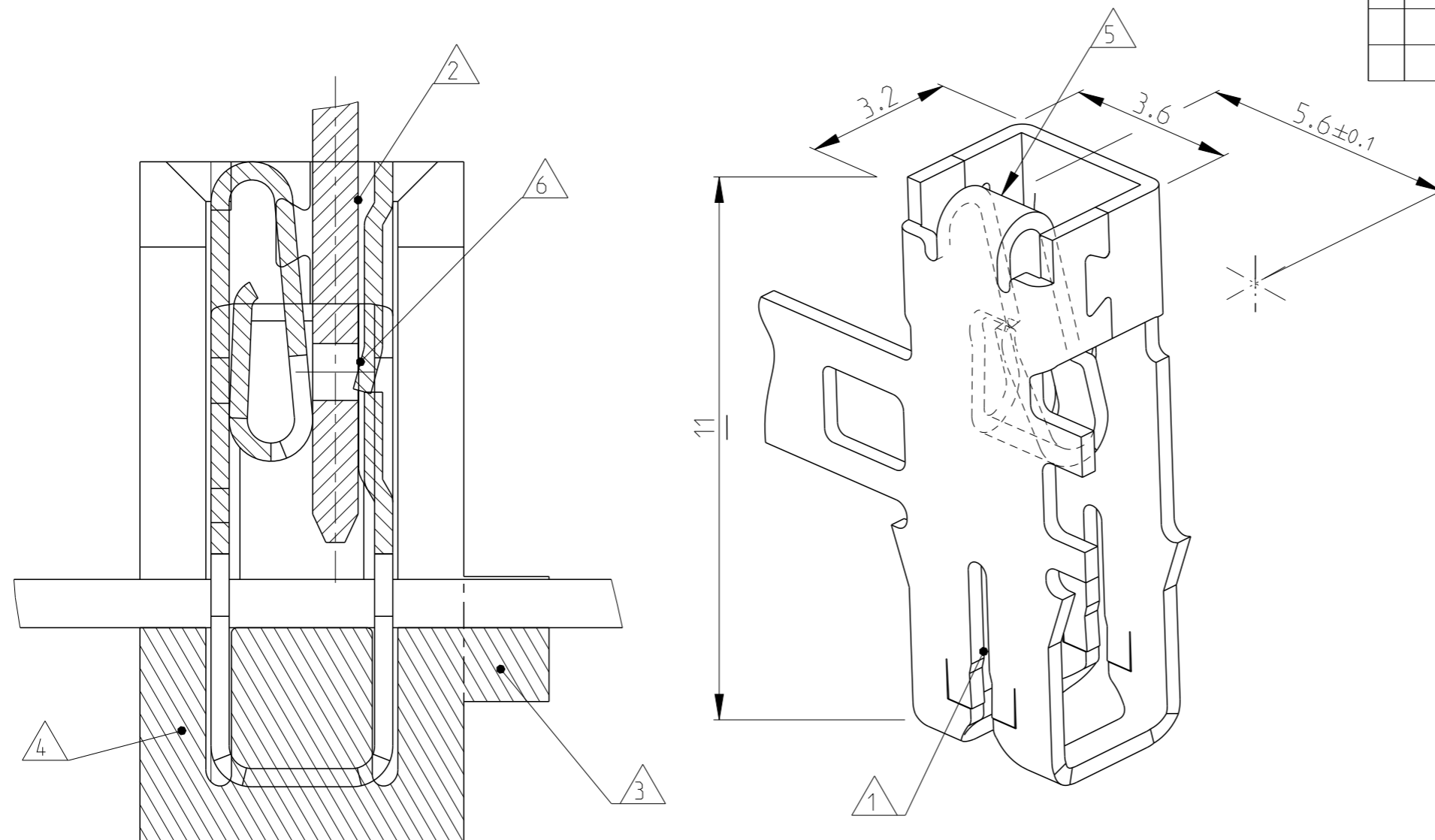


REVISIONS

P	LTR	DESCRIPTION	DATE	DWN	APVD
	A3	PN 1-964106-1 OBSOLETE	07OCT14	PKS	RRP



- △1 Kontakt geeignet fuer:
Lackdraht Ø0.6-0.80mm
(Einzeldraht oder zwei Draehte gleichen Durchmessers)
Slot accepts:
SINGLE MAGNET WIRE Ø0.6-0.80mm
DOUBLE MAGNET WIRE SAME DIAMETERS
- △2 Flachstecker A2.8-0.5mm oder A2.8-0.8mm nach DIN 46244
FLAT PIN A2.8-0.5mm OR A2.8-0.8mm ACCORDING TO DIN 46244
- △3 Bereich wird beim Kontaktieren abgetrennt
AREA WILL BE CUTTED OF BY TERMINATION
- △4 Kontakt Kammer nach Zeichnung 411-18514
CAVITY ACCORDING DWG 411-18514
- △5 Kennziffer fuer Lackdrahtbereich (12)
IDENTIFICATION NO. (12)
- △6 Unter Vorstrich-Zahl 1-... auch "ohne" Rastnase lieferbar
UNDER PRAEFIX NO: 1- ALSO "WITHOUT LOCKING NOSE AVAILABEL

COSTUMER PART NO	REV	PCS	DESCRIPTION	MATERIAL	SURFACE COLOR
1-964106-2 △6	A	-	MAG-MATE Kontakt "without"	CuNiSi	POSTTINNED
1-964106-1 △6	A	-	MAG-MATE Kontakt "without"	CuNiSi	PRETINNED
964106-2	A	-	MAG-MATE Kontakt "with"	CuNiSi	POSTTINNED
964106-1	A	-	MAG-MATE Kontakt "with"	CuNiSi	PRETINNED

THIS DRAWING IS A CONTROLLED DOCUMENT.

DIMENSIONS:	TOLERANCES UNLESS OTHERWISE SPECIFIED:
mm	±0.2mm
	0 PLC ±
	1 PLC ±
	2 PLC ±
	3 PLC ±
	4 PLC ±
	ANGLES ±1°
MATERIAL	FINISH
SEE TABLE	SEE TABLE

DWN	A.Holch	10-02-92	 TE Connectivity	NAME MAG-MATE TERMINAL WITH TAB-RECEPT. 2.8-0.5/0.8		
CHK	H.PL	10-02-92				
APVD	-	-				
PRODUCT SPEC	-	-				
APPLICATION SPEC	-	-	SIZE	CAGE CODE	DRAWING NO	RESTRICTED TO
WEIGHT	-	-	A3	00779	©=964106	-
Customer Drawing	SCALE	10:1	SHEET	1 OF 1	REV	A3

单击下面可查看定价，库存，交付和生命周期等信息

[>>TE Connectivity\(泰科\)](#)