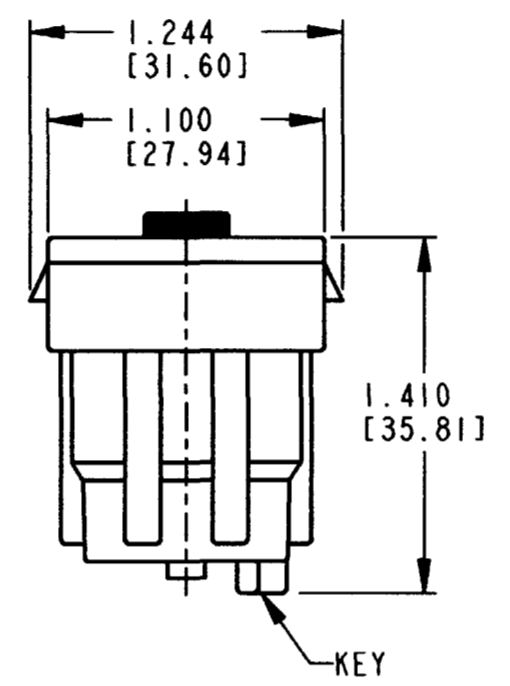


REV D **DRC26-40S ***

REVISIONS			
SYM	DESCRIPTION	DATE	APPROVED
A	REVISED PER E.O. A14635	9-6-94	R.D.R.
B	REVISED PER E.O. A14773	12-2-94	R.D.R.
C	REVISED & REDRAWN PER E.O. P17012	12-22-00	R.D.R.
D	REVISED PER E.O. P18865	3-31-05	RDR



DRC26-40SA



DRC26-40SB



DRC26-40SC



DRC26-40SD



CONTACT SIZE	MIN. INSUL. O.D.	MAX. INSUL. O.D.	WIRE RANGE [mm ²] REF ONLY
20	.040 [1.016]	.095 [2.413]	16-20 AWG [1.0-0.5]

- 5. THIS PLUG MATES WITH DRC23-40P*-**** RECEPTACLE. (* = A,B,C,D KEYS; **** = ALL MODIFICATIONS)
- 4 FOR CONTACT AND WIRE PERFORMANCE AND APPLICATION CHARACTERISTICS SEE ENVELOPE DRAWING 0425-015-0000.
- 3. PLUG IS SUPPLIED WITH DUST CAP (NOT SHOWN).
- 2. DIMENSION TOLERANCE: ±.025 [.635]
- 1. DIMENSIONS ARE IN INCHES [mm].
- NOTES: UNLESS OTHERWISE SPECIFIED

- 7. MATERIAL: HOUSING: PLASTIC (BLACK); BOLT: STAINLESS STEEL; CLIP: STEEL; GROMMET: RUBBER.
- 6. RECOMMENDED RETAINING BOLT TORQUE: 25-28 IN-LB [2.82-3.16 NM].

SIGNATURE & DATE		PLUG 40 CONTACTS, SIZE 20 DRC SERIES ENVELOPE	CP	MATL. CODE	
DR	D. MEYER 11/30/00		The Deutsch Company DEUTSCH I.P.D. 3850 INDUSTRIAL AVE. HEMET, CALIF. 92545		
CHK	R. Meyer 7/24/05		B	DRC26-40S *	
PE	D. Meyer 3/28/05			DWG. SIZE	CODE 11139
APPD	R. Road 3-31-05			SHEET OF	
SCALE	NONE	WT			

单击下面可查看定价，库存，交付和生命周期等信息

[>>TE Connectivity\(泰科\)](#)