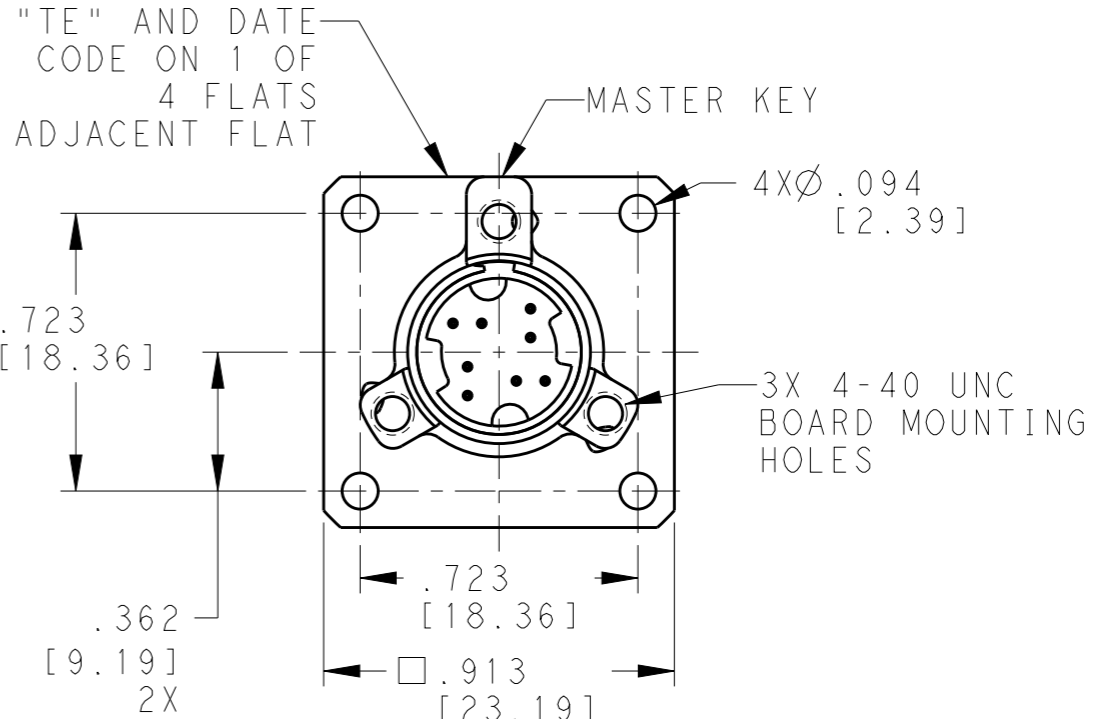
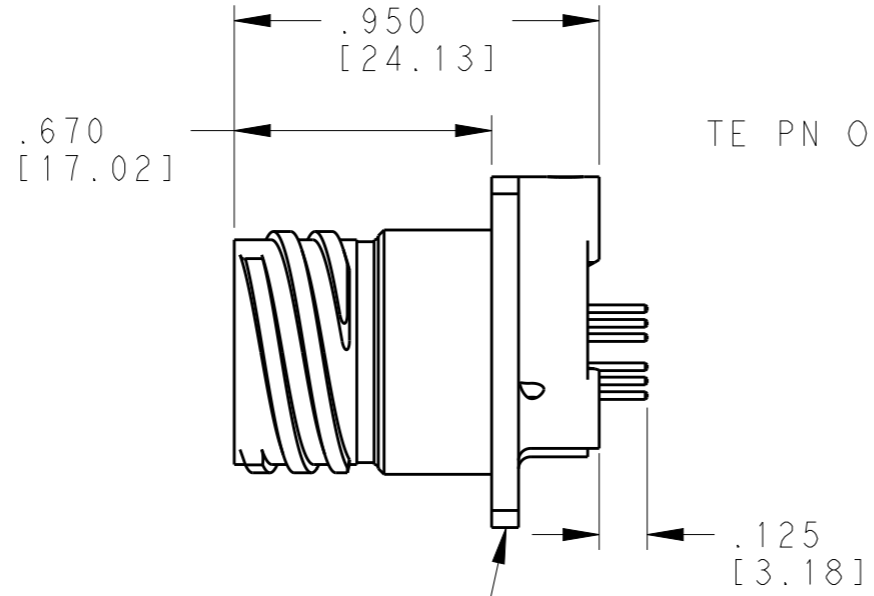
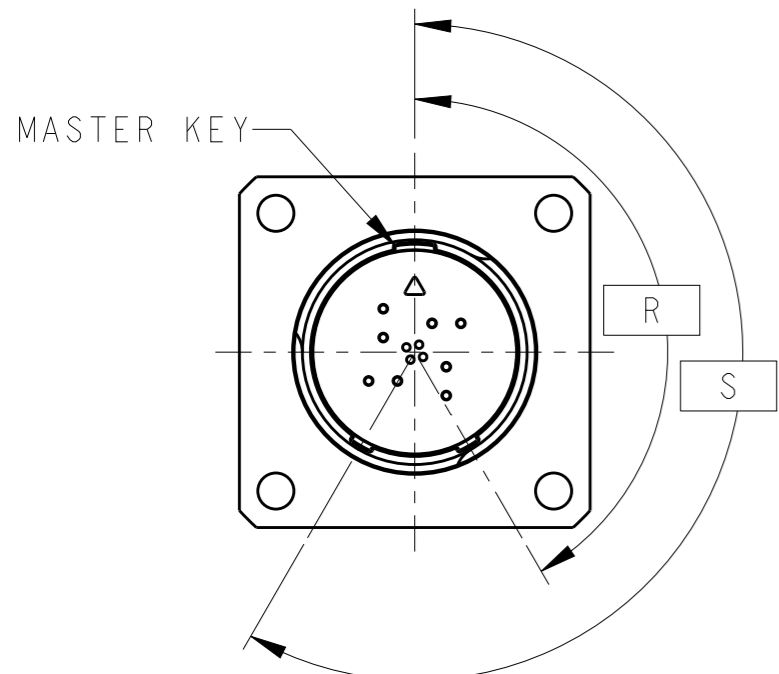
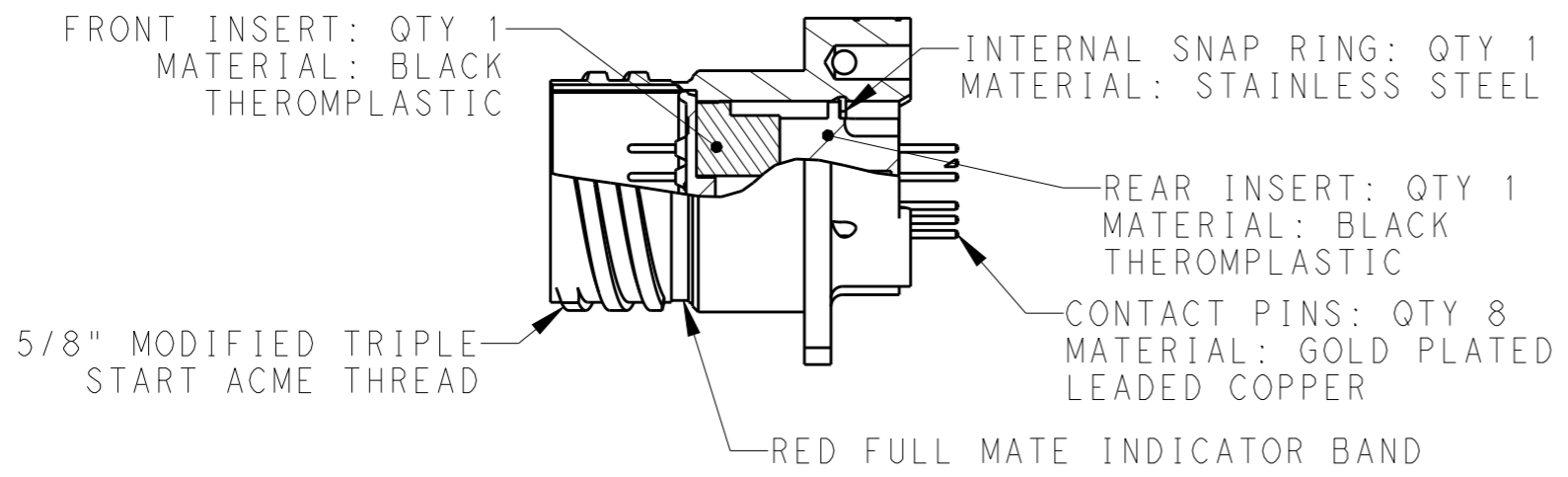
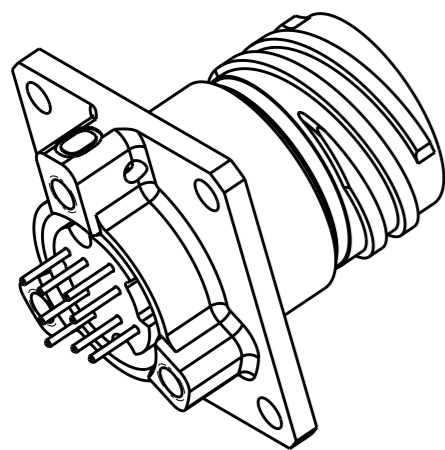


THIS DRAWING IS UNPUBLISHED. RELEASED FOR PUBLICATION
 © COPYRIGHT - BY - ALL RIGHTS RESERVED.

LOC	DIST	REVISIONS			
P	LTR	DESCRIPTION	DATE	DWN	APVD
-	-	B	REV PER ECO 13-001557	2-12-13	CT DM
-	-	C	REVISED PER ECO-15-013009	03DEC15	RS CT




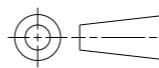
RECEPTACLE: QTY 1
 MATERIAL: ALUMINUM
 FINISH: SEE TABLE



B	BLACK ZINC NICKEL PLATE	2102453-6
B	NICKEL PLATE	2102453-5
A	BLACK ZINC NICKEL PLATE	2102453-4
A	NICKEL PLATE	2102453-3
NORMAL	BLACK ZINC NICKEL PLATE	2102453-2
NORMAL	NICKEL PLATE	2102453-1
KEYING OPTION	FINISH	PART NUMBER

KEY OPTION	KEY ROTATION	
	"R"	"S"
NORMAL	150°	210°
A	140°	215°
B	132°	248°

THIS DRAWING IS A CONTROLLED DOCUMENT. DIMENSIONING AND TOLERANCING PER ASME Y14.5M (ISO STANDARDS)

DIMENSIONS: INCHES [mm]	TOLERANCES UNLESS OTHERWISE SPECIFIED:	DWN MCKIBBEN, JOHN 18AUG2011	 TE Connectivity NAME PCB SQUARE FLANGE RECEPTACLE MOUNT ASSEMBLY
	0 PLC ±-	CHK DOWHOWER, KENNETH 18AUG2011	
	1 PLC ±-	APVD DOWHOWER, KENNETH 18AUG2011	
	2 PLC ±-	PRODUCT SPEC 108-2482	
MATERIAL -	FINISH -	APPLICATION SPEC 114-32025	RESTRICTED TO -
		WEIGHT -	SIZE A3 CAGE CODE 00779 DRAWING NO C-2102453
		CUSTOMER DRAWING	SCALE 2:1 SHEET 1 OF 2 REV C

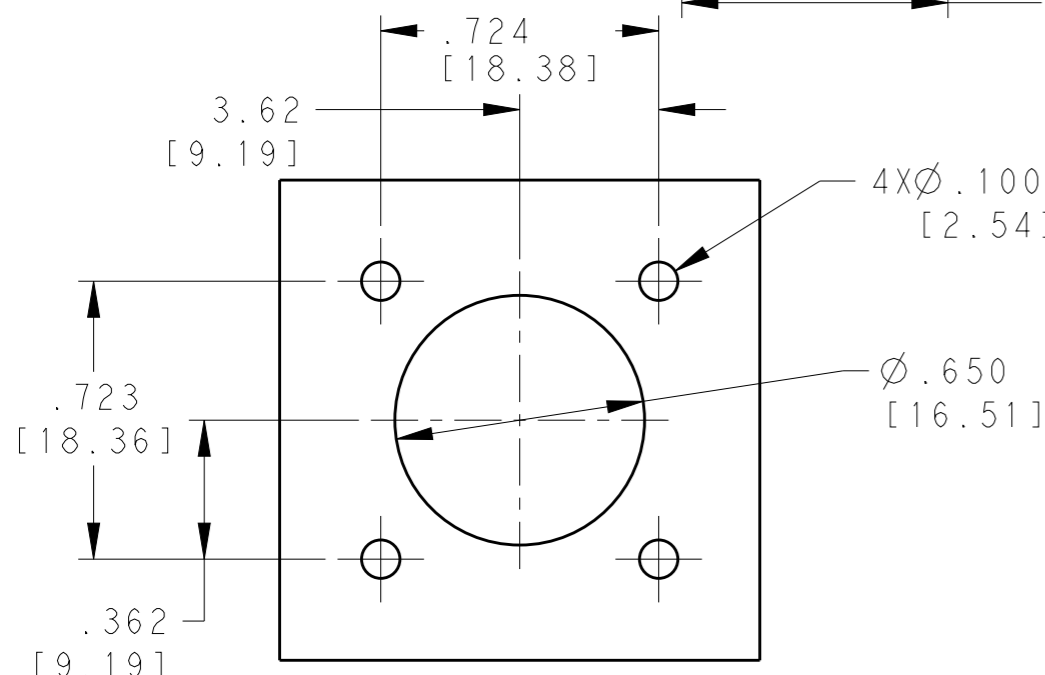
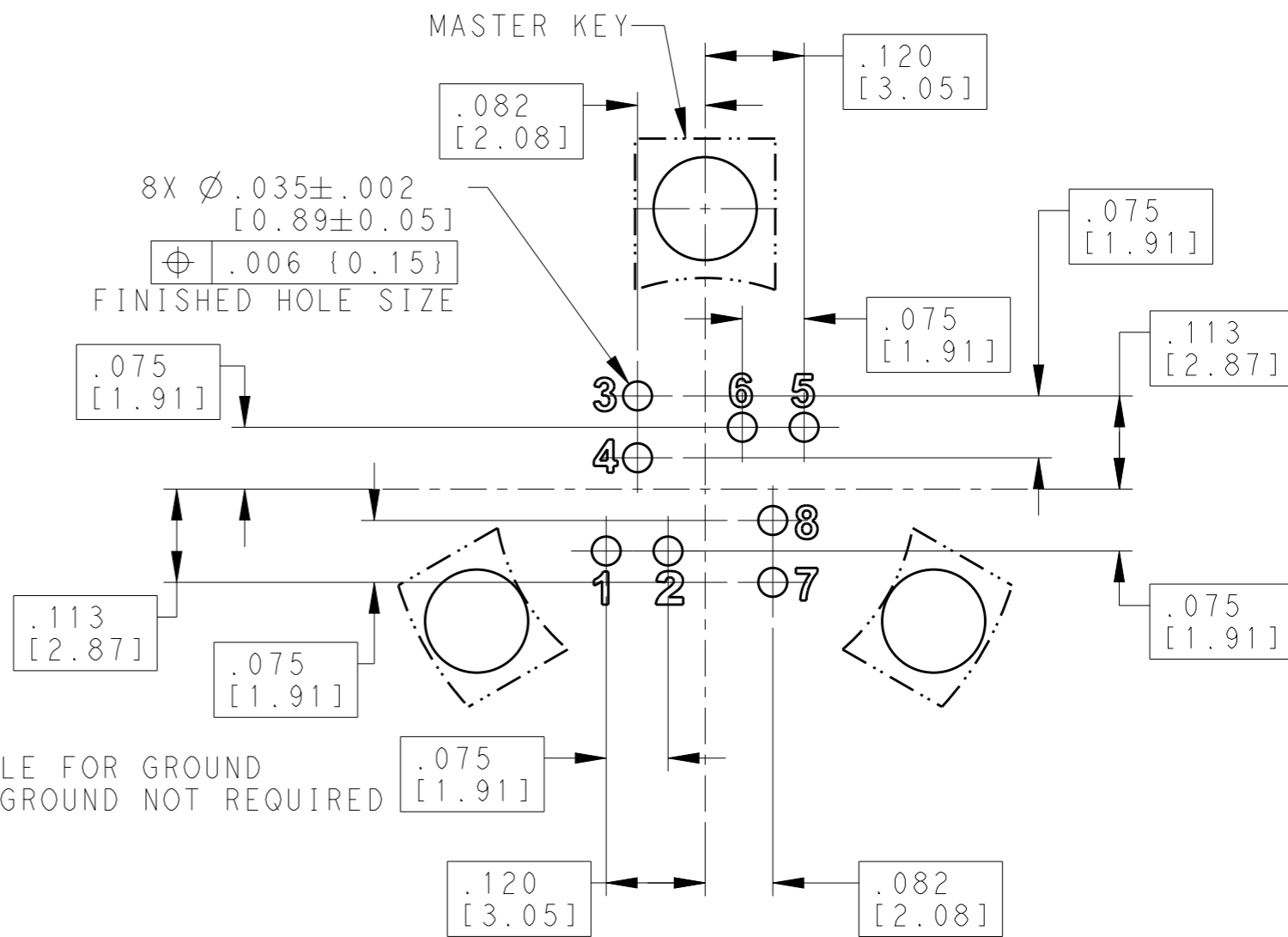
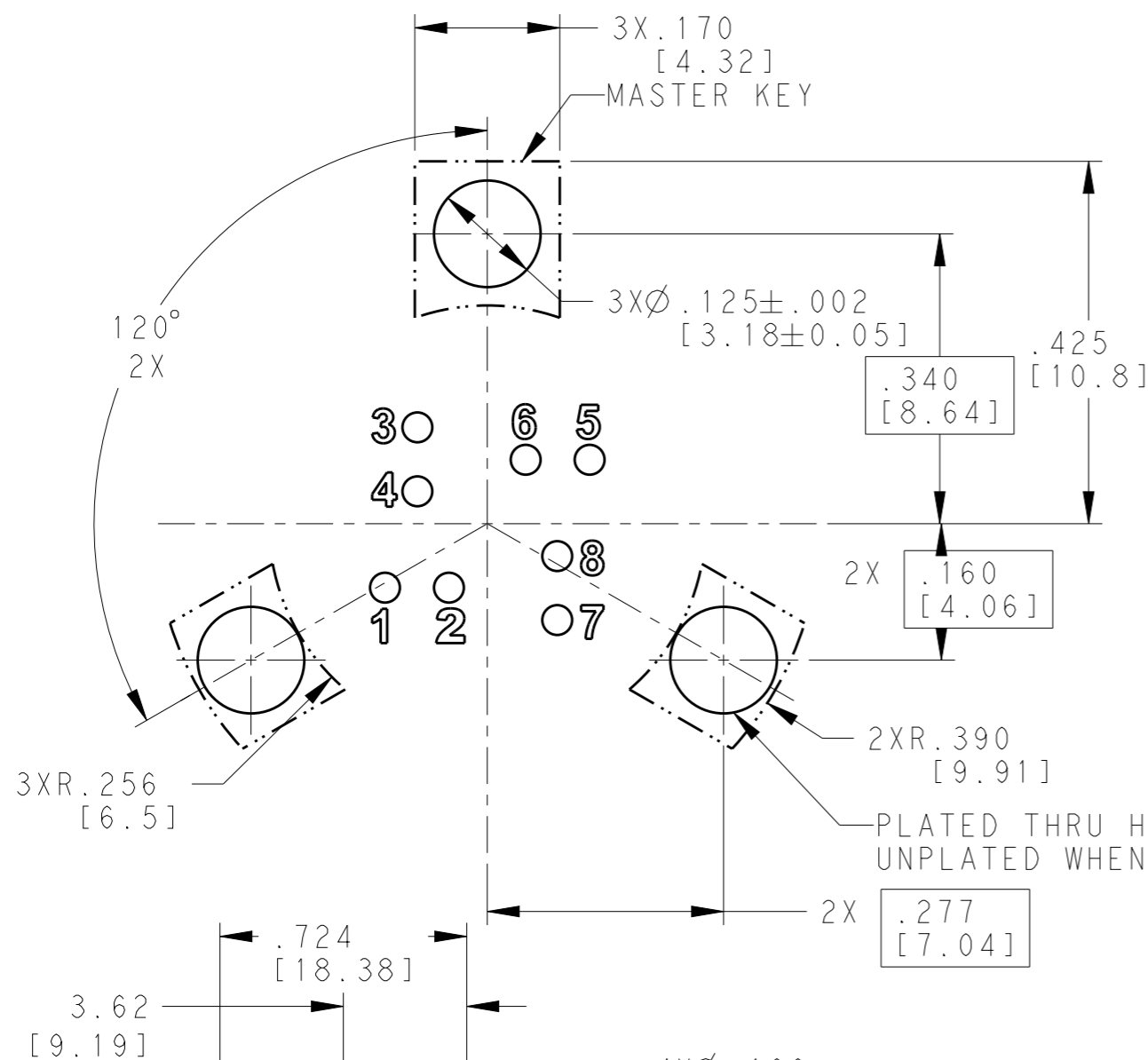
THIS DRAWING IS UNPUBLISHED.

RELEASED FOR PUBLICATION

© COPYRIGHT - BY - ALL RIGHTS RESERVED.

LOC	DIST	REVISIONS			
P	LTR	DESCRIPTION	DATE	DWN	APVD
-	-	SEE SHEET 1	-	-	-

RECOMMENDED BOARD LAYOUT



PANEL CUTOUT DIMENSIONS

THIS DRAWING IS A CONTROLLED DOCUMENT.
DIMENSIONING AND TOLERANCING PER
ASME Y14.5M (ISO STANDARDS)

DIMENSIONS:	TOLERANCES UNLESS OTHERWISE SPECIFIED:
INCHES [mm]	
	0 PLC \pm -
	1 PLC \pm -
	2 PLC \pm -
	3 PLC \pm .005 [0.13]
	4 PLC \pm -
	ANGLES \pm -

MATERIAL - FINISH -

DWN 18AUG2011
MCKIBBEN, JOHN

CHK 18AUG2011
DOWHOWER, KENNETH

APVD 18AUG2011
DOWHOWER, KENNETH

PRODUCT SPEC -

APPLICATION SPEC -

WEIGHT -

CUSTOMER DRAWING



NAME PCB RECEPTACLE MOUNT ASSEMBLY

SIZE	CAGE CODE	DRAWING NO	RESTRICTED TO
A3	00779	C=2102453	-

SCALE 1:1 SHEET 2 OF 2 REV C

单击下面可查看定价，库存，交付和生命周期等信息

[>>TE Connectivity\(泰科\)](#)