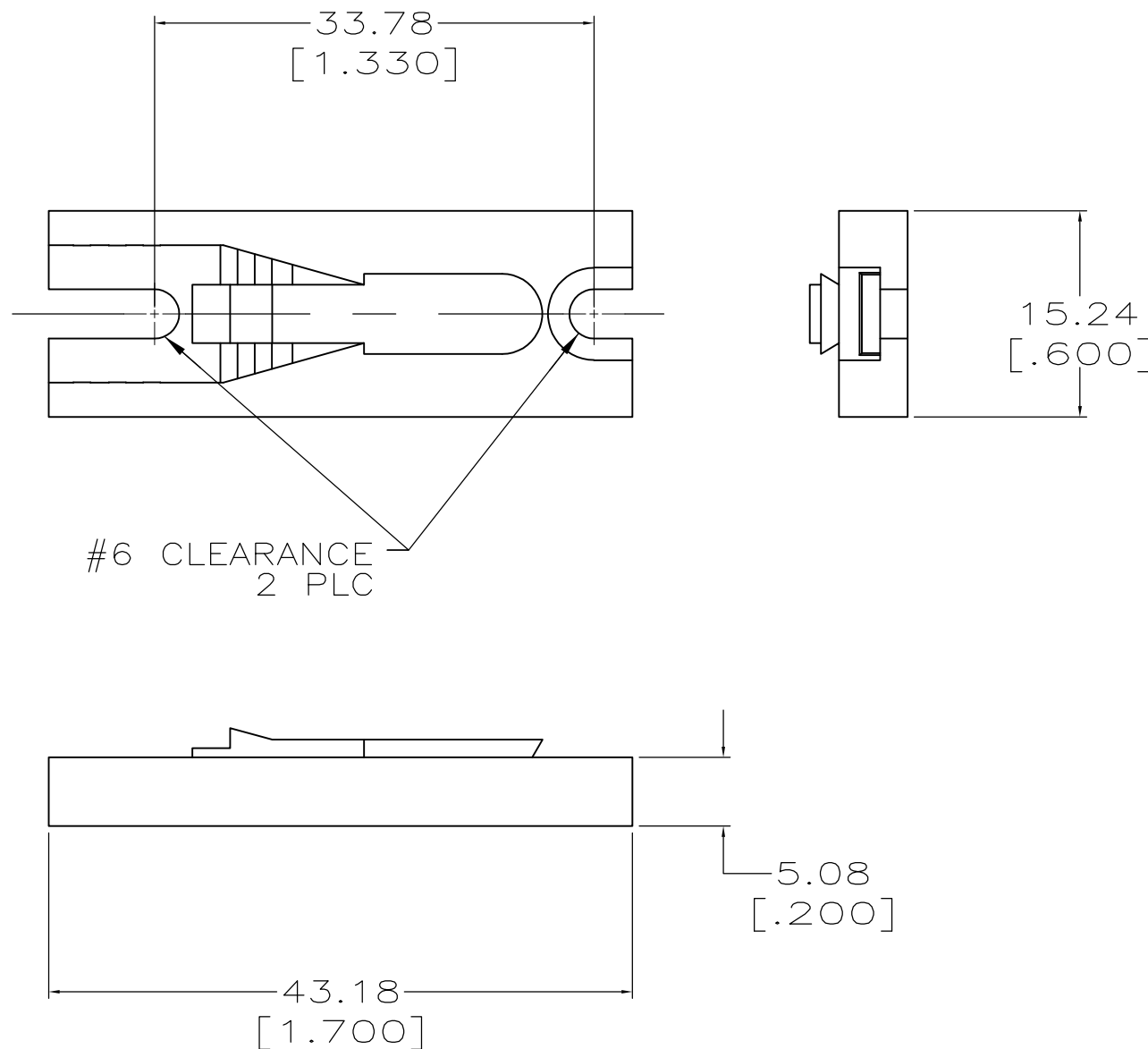


THIS DRAWING IS UNPUBLISHED. RELEASED FOR PUBLICATION
 © COPYRIGHT - BY TYCO ELECTRONICS CORPORATION. ALL RIGHTS RESERVED.

LOC	DIST	REVISIONS				
P	LTR	DESCRIPTION	DATE	DWN	APVD	
FT	0	E	REVISED PER ECO-07-012903	6/4/07	SS	FD

1. SURFACE MOUNTING ADAPTER TO BE USED WITH CONNECTOR 53884.



53885-1
PART NUMBER

THIS DRAWING IS A CONTROLLED DOCUMENT.		DWN M.BINNER 07 APR 97	Tyco Electronics Corporation Harrisburg, PA 17105-3608		
DIMENSIONS: mm [INCHES]		CHK R.STONE 24 APR 97	NAME MOUNTING ADAPTER, SURFACE, SERIES 2, POWER LOCK		
TOLERANCES UNLESS OTHERWISE SPECIFIED:		APVD M.MCALONIS 22 MAY 97	PRODUCT SPEC 108-11043		
0 PLC ± - 1 PLC ± - 2 PLC ± 0.25 [.010] 3 PLC ± - 4 PLC ± - ANGLES ± -		APPLICATION SPEC 114-6032	SIZE A3	CAGE CODE 00779	DRAWING NO C-53885
MATERIAL POLYCARBONATE,		FINISH -	WEIGHT -	RESTRICTED TO -	
CUSTOMER DRAWING			SCALE 4:1	SHEET 1 OF 1	REV E

单击下面可查看定价，库存，交付和生命周期等信息

[>>TE Connectivity\(泰科\)](#)