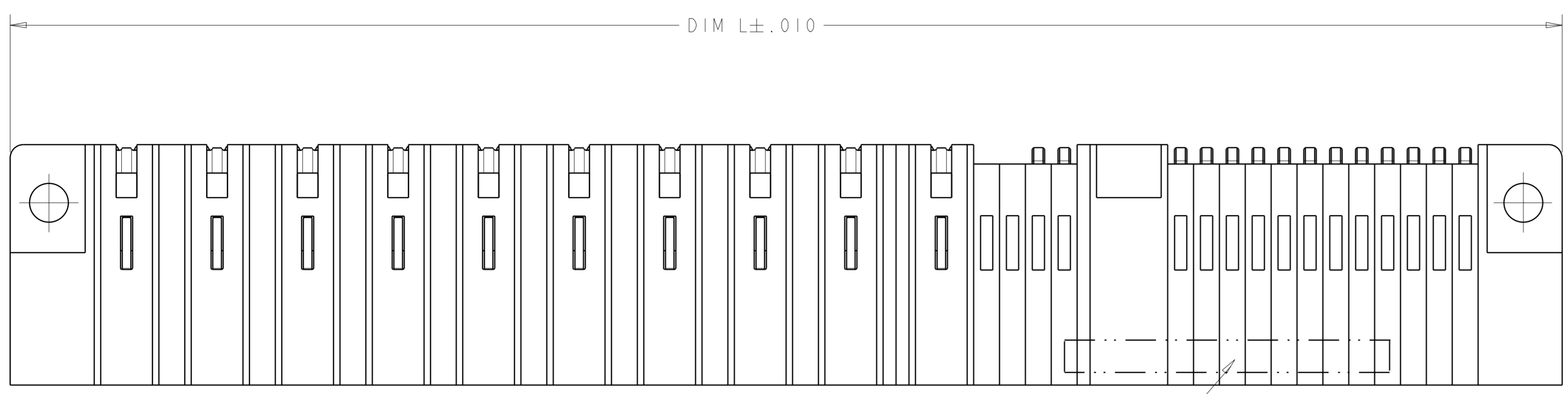
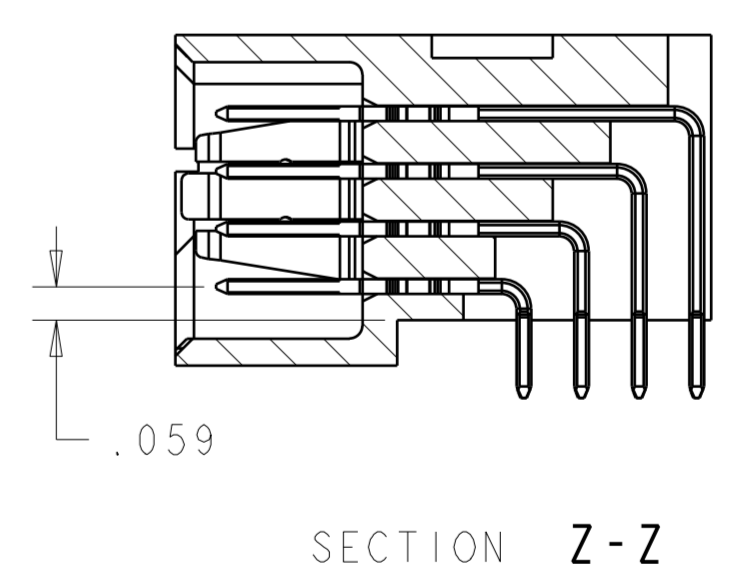
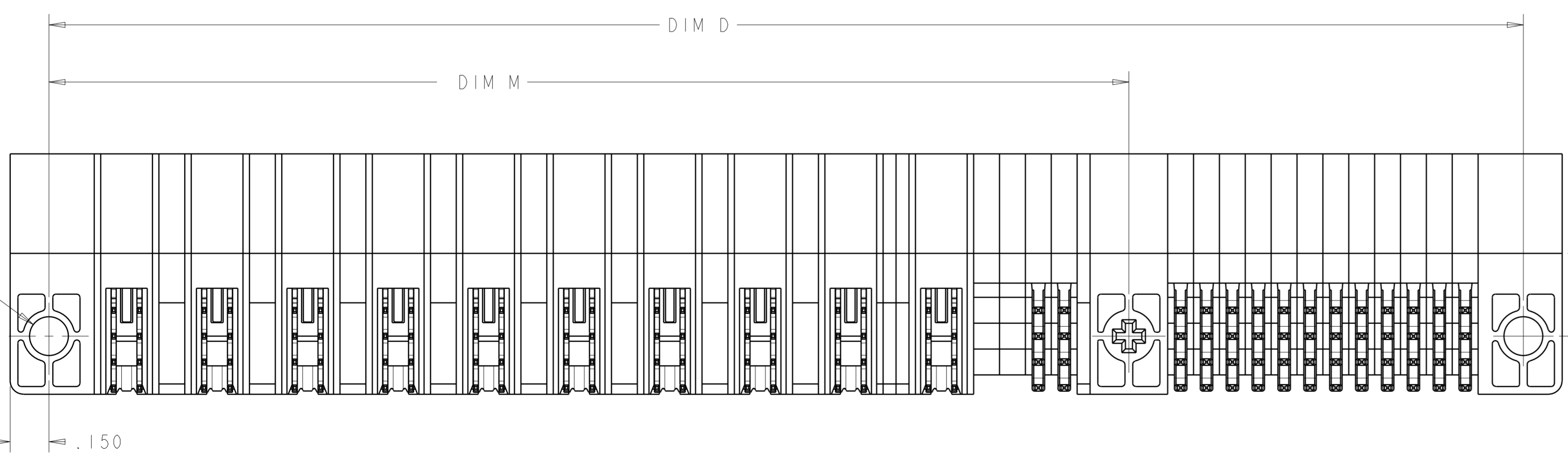
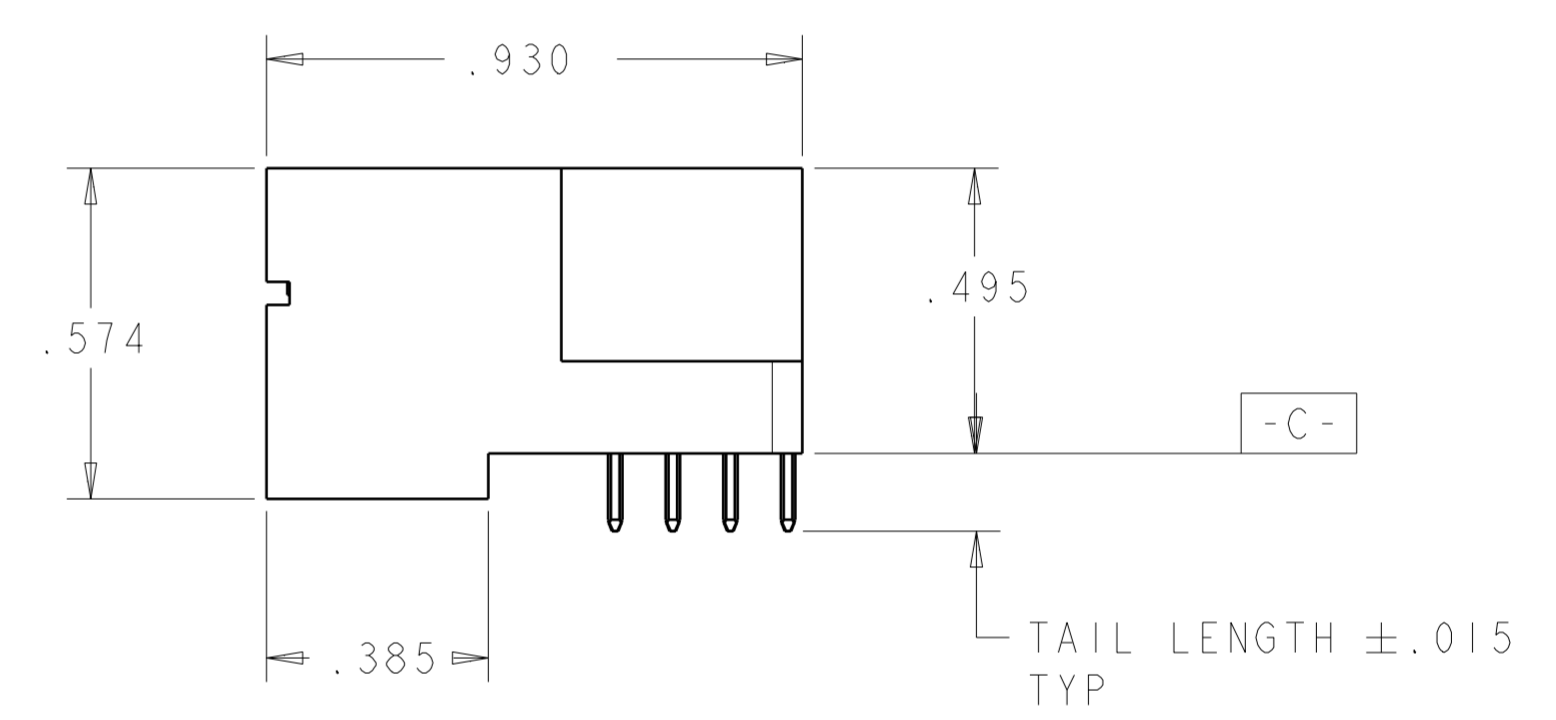
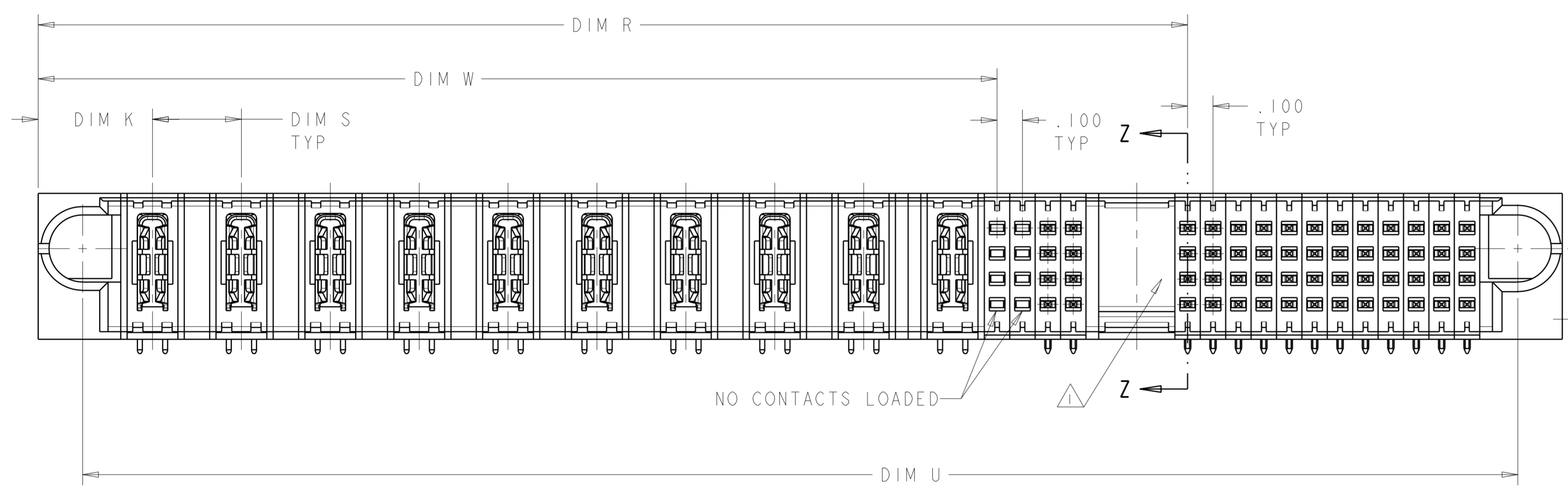


LOC	DIST	REVISIONS			
P	LTR	DESCRIPTION	DATE	DWN	APVD
A		PRELIMINARY RELEASE	18AUG2006	CZ	SY



- 1 OPTIONAL CENTER MODULE WITH Ø.150 THRU HOLE OR HOLD DOWN FEATURE.
- 2 "AMP", PART NUMBER, AND DATE CODE TO BE MARKED IN AREA SHOWN.
- 3 MATERIAL: HOUSING - GLASS FILLED HIGH TEMP THERMO PLASTIC, UL94 V-0
 SIGNAL CONTACT - COPPER ALLOY
 POWER CONTACT - HIGH CONDUCTIVITY COPPER ALLOY
- 4 CONTACT PLATING: SIGNAL CONTACTS - .000050 MIN Ni UNDER ALL.
 .000030 MIN Au ON CONTACT AREA.
 .000100 MIN Sn AT PCB INTERFACE.
 POWER CONTACTS - .000050 MIN Ni UNDER ALL.
 .000030 MIN Au ON CONTACT AREA.
 .000100 MIN Sn AT PCB INTERFACE.
- 5 MECHANICAL CONNECTOR KEEP OUT ZONE.
- 6 DATUM AND BASIC DIMENSIONS ESTABLISHED BY CUSTOMER.
- 7 PCB - ALL HOLE DIAMETERS ARE FINISHED HOLE SIZES.
- 8 PCB - .0453 +/- .0010 DRILLED HOLES PLATES WITH .0003 MIN Sn OVER .001 TO .003 PLATING TO ACHIEVE A .040 DIA. HOLE.



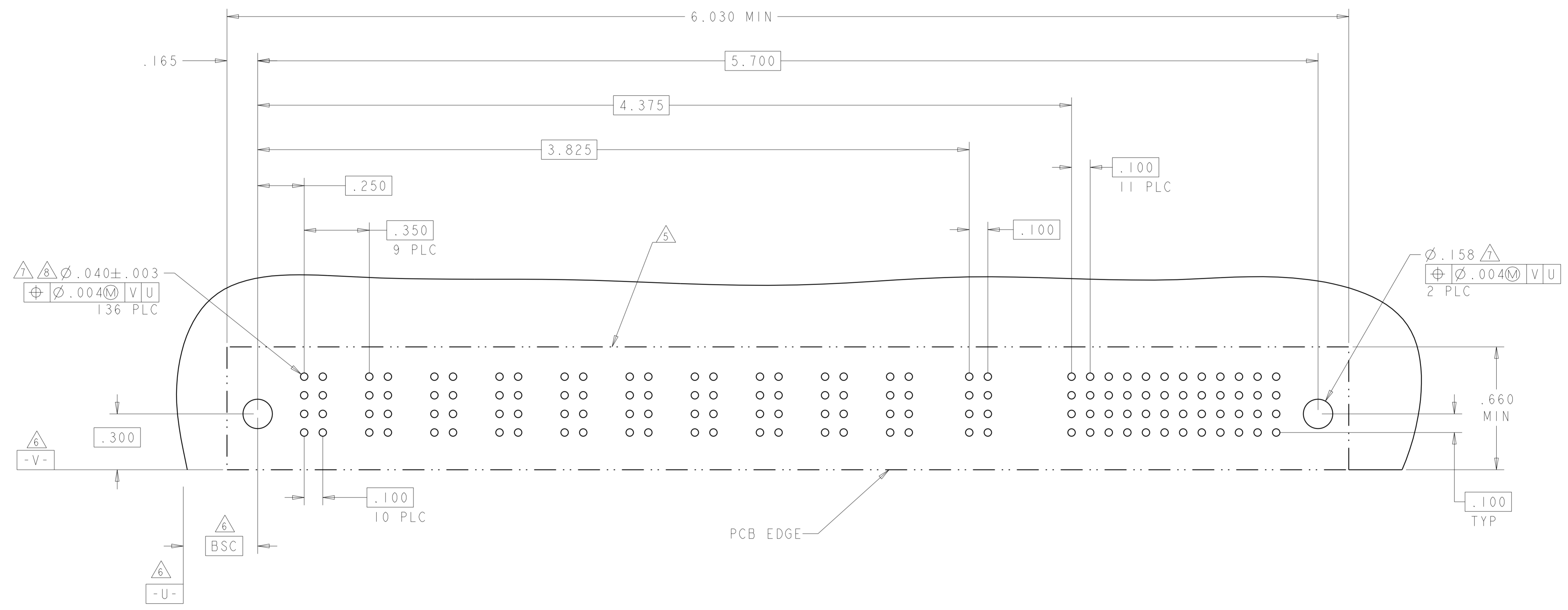
5.650	.350	4.525	3.775	5.700	4.175	2.250	.450	10ACP + 64S	1892122-1
DIM U	DIM S	DIM R	DIM W	DIM D	DIM M	DIM L	DIM K	DESCRIPTION	PART NUMBER

DIMENSIONS: INCHES		TOLERANCES UNLESS OTHERWISE SPECIFIED:		DWN: CECILY ZHOU		18AUG2006		AMP Tyco Electronics incorporated	
0 PLC	±	0.005	±	CHK: S. ZHAO	18AUG2006	NAME: S. YAO		Shanghai, P.R., China, 200233	
1 PLC	±	0.01	±	APVD: S. YAO	18AUG2006	PRODUCT SPEC: 108-1973		RIGHT ANGLE HEADER ASSEMBLY WITH GUIDES MULTI-BEAM XL	
2 PLC	±	0.01	±	APPLICATION SPEC: 114-13038		SIZE: A		RESTRICTED TO	
3 PLC	±	0.005	±	WEIGHT: -		SCALE: 4:1		SHEET 1 OF 2	
4 PLC	±	0.002	±	CUSTOMER DRAWING		REV: A			

LOC	DIST	REVISIONS					
ES	00	PT	LTR	DESCRIPTION	DATE	DWN	APVD
				SEE SHEET J			

PART NUMBER	ROWS	POWER										SIGNAL				BLANK																
		P1	P2	P3	P4	P5	P6	P7	P8	P9	P10	1	2	3	4		5	6	7	8	9	10	11	12	13	14	15	16				
1892122-1	D C B A	TM	TM	TM	TM	TM	TM	TM	TM	TM	TM			J	J	J	J	J	J	J	J	J	J	J	J	J	J	J	J			
														K	K	K	K	K	K	K	K	K	K	K	K	K	K	K	K			
														N	N	N	N	N	N	N	N	N	N	N	N	N	N	N	N	N		
														S	S	S	S	S	S	S	S	S	S	S	S	S	S	S	S	S		
10ACP + 64S																																

NO CONTACTS LOADED



CODE	TAIL LENGTH
TM	.135
POWER CONTACT	

CODE	MATING SEQUENCE	TAIL LENGTH	ROW
J	STD	.135	D
K	STD	.135	C
N	STD	.135	B
S	STD	.135	A
SIGNAL CONTACT			

THIS DRAWING IS A CONTROLLED DOCUMENT FOR TYCO ELECTRONICS CORPORATION. IT IS SUBJECT TO CHANGE AND THE CONTROLLING ENGINEERING DEPARTMENT SHOULD BE CONTACTED FOR THE LATEST REVISION.

DWN: CECILY ZHOU	18AUG2006	 Tyco Electronics incorporated Shanghai, P.R.China. 200233
CHK: S. ZHAO	18AUG2006	
APVD: S. YAO	18AUG2006	
NAME: R. GHT		
PRODUCT SPEC	RIGHT ANGLE HEADER WITH GUIDES ASSEMBLY	
APPLICATION SPEC	MULTI-BEAM XL	
SIZE: 114-13038	RIGHT ANGLE HEADER ASSEMBLY	
WEIGHT: -	RESTRICTED TO	
MATERIAL: -	FINISH: -	SCALE: 4:1
CUSTOMER DRAWING		SHEET 2 OF 2
		REV A

单击下面可查看定价，库存，交付和生命周期等信息

[>>TE Connectivity\(泰科\)](#)