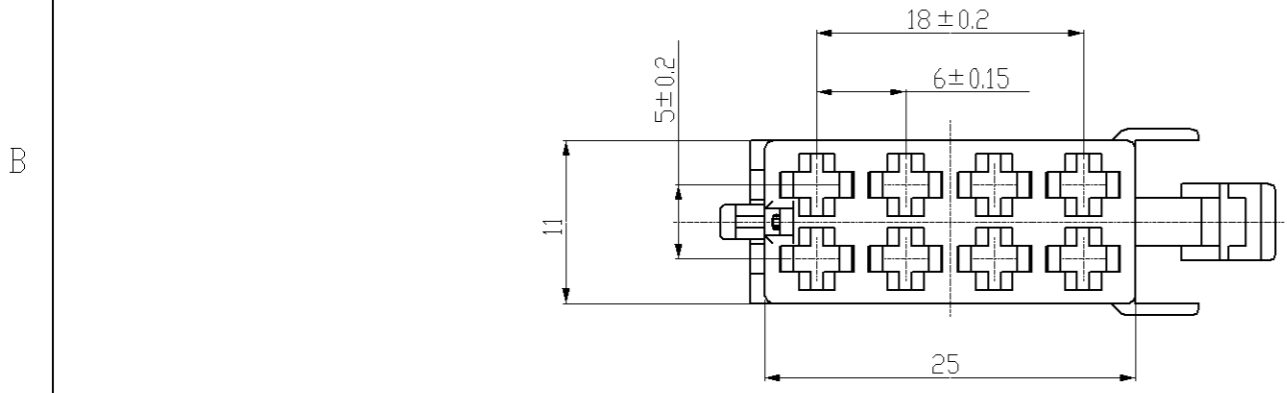
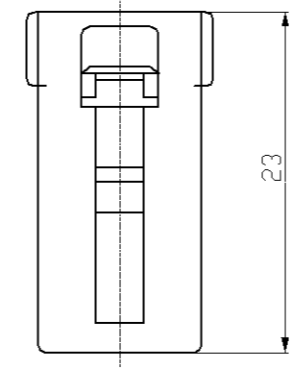
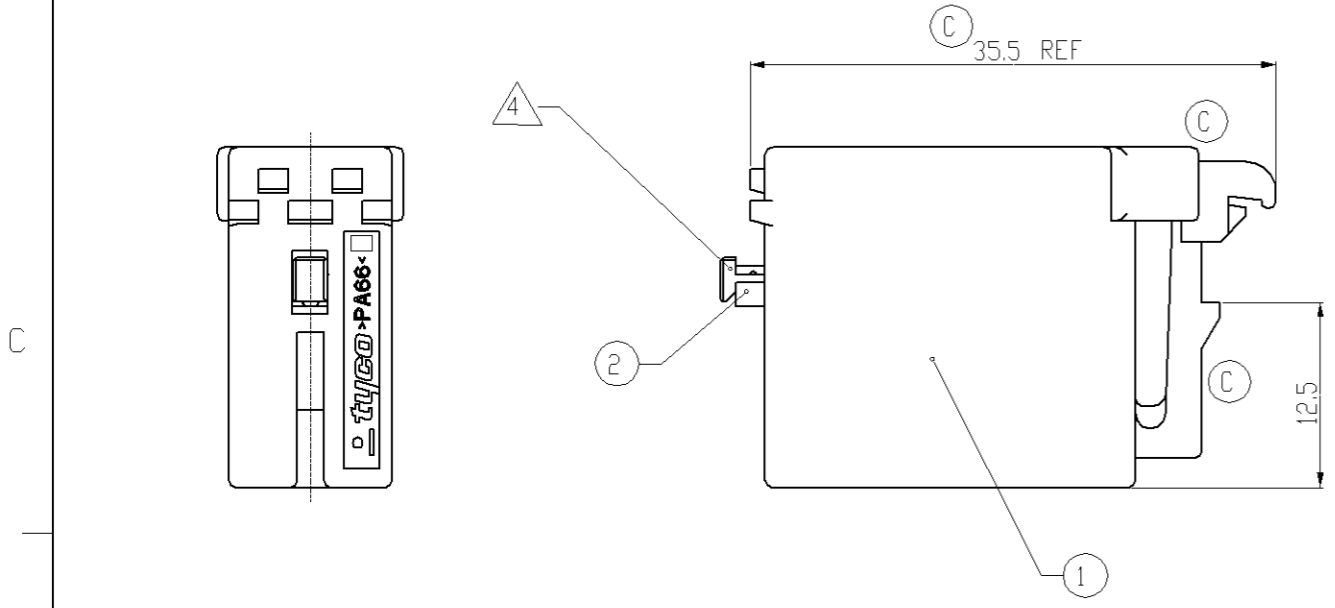
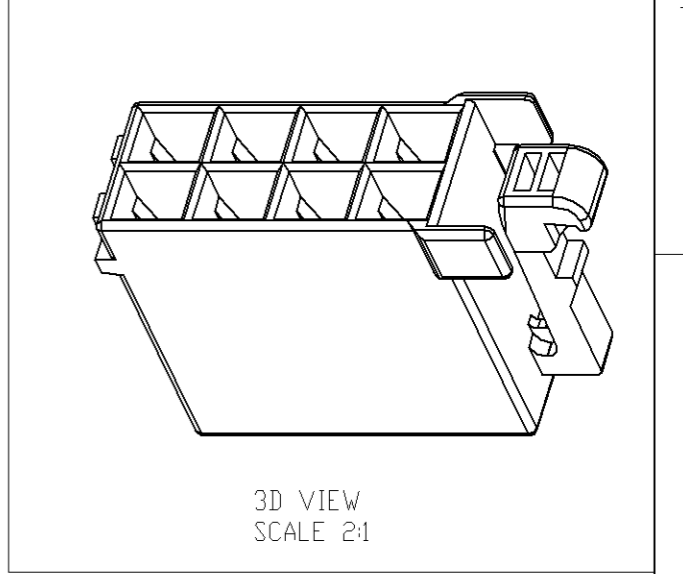
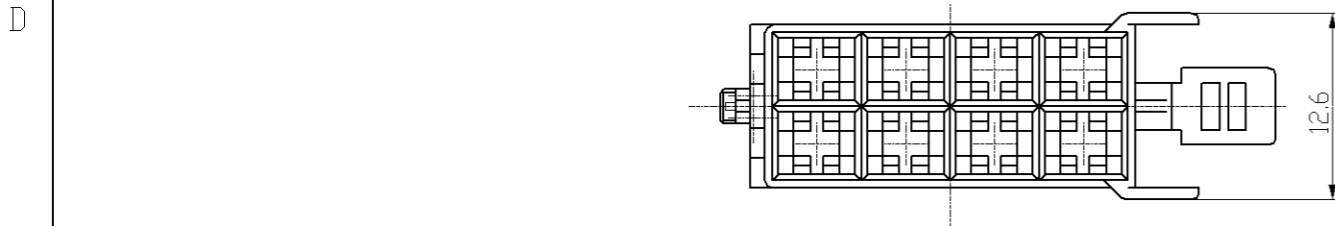


LOC	DIST	REVISIONS				
P	LTR	DESCRIPTION	DATE	DWN	APVD	
DS	-					
	B	REVISED (ECR-07-021317)	04/SEP/07	YS	JK	
	C	REVISED (ECR-07-029781)	11/DEC/07	YS	JK	



< TABLE 1 >

TYPE	P/N	WIRE SIZE(mm <sup>2</sup> )	INSULATION DIA.(mm)	MATERIAL /FINISH
JT	170439-1	0.3~0.56	1.5~2.4	Phosphor Bronze /Pre-tin Plated
	170209-1	0.5~2.27	2.16~3.43	

NOTES;  
 1. THE MATING HSG P/N: 1897097  
 2. APPLIED CONTACT P/N: SEE TABLE 1  
 3. GENERAL TOLERANCES: ±0.3, ±3°  
 ▲ RETAINER IS PRE-LOCKING.

NO	COLOR	MATERIAL	DESCRIPTION	Q'TY	1897119-4	ASSY P/N
2	NATURAL	PA66-GF15	RETAINER FOR 8P HSG	1		
1	BROWN	PA66	8P JUNIOR-TIMER HSG, PART D1	1		

THIS DRAWING IS A CONTROLLED DOCUMENT FOR TYCO ELECTRONICS CORPORATION IT IS SUBJECT TO CHANGE AND THE CONTROLLING ENGINEERING ORGANIZATION SHOULD BE CONTACTED FOR THE LATEST REVISION.		DWN YS PARK CHK JW JUNG APVD JK SONG PRODUCT SPEC - APPLICATION SPEC - WEIGHT -		Tyco Electronics AMP KOREA. kyungsan, korea	
DIMENSIONS: mm 3rd ANGLE PROJECTION		TOLERANCES UNLESS OTHERWISE SPECIFIED: 0 PLC ±- 1 PLC ±- 2 PLC ±- 3 PLC ±- 4 PLC ±- ANGLES ±- MATERIAL SEE TABLE FINISH -		NAME JUNIOR TIMER 8P PLUG ASS'Y, PART D1 SIZE A3 CAGE CODE 00779 DRAWING NO. C-1897119 RESTRICTED TO -	
CUSTOMER DRAWING			SCALE 2:1	SHEET 1 OF 1	REV C

单击下面可查看定价，库存，交付和生命周期等信息

[>>TE Connectivity\(泰科\)](#)