

4

3

2

1

THIS DRAWING IS UNPUBLISHED.

RELEASED FOR PUBLICATION

20

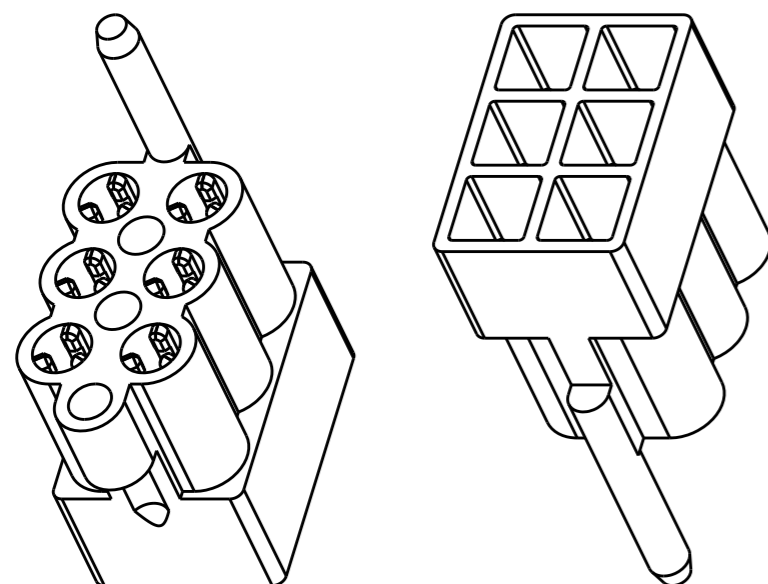
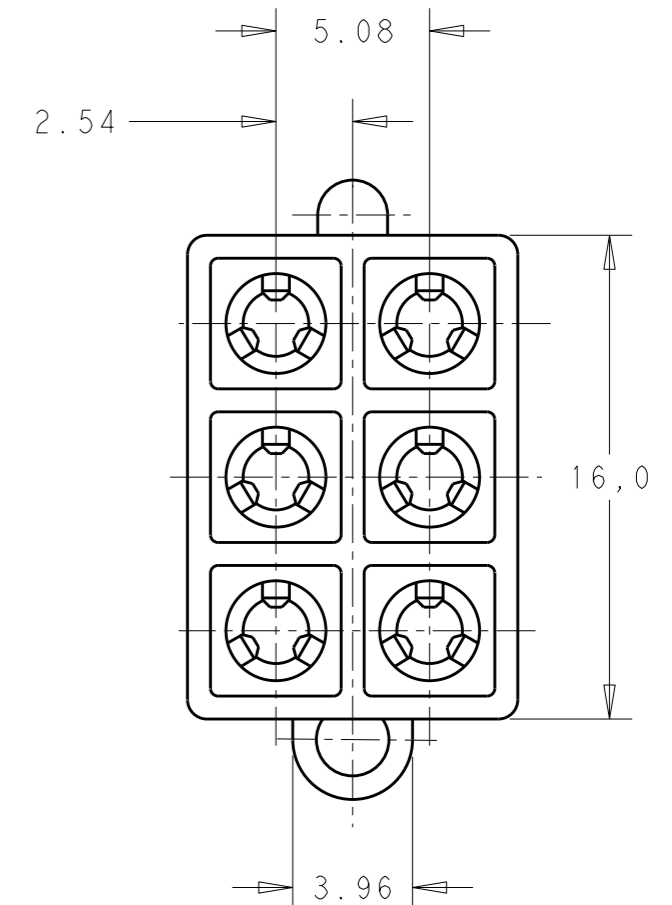
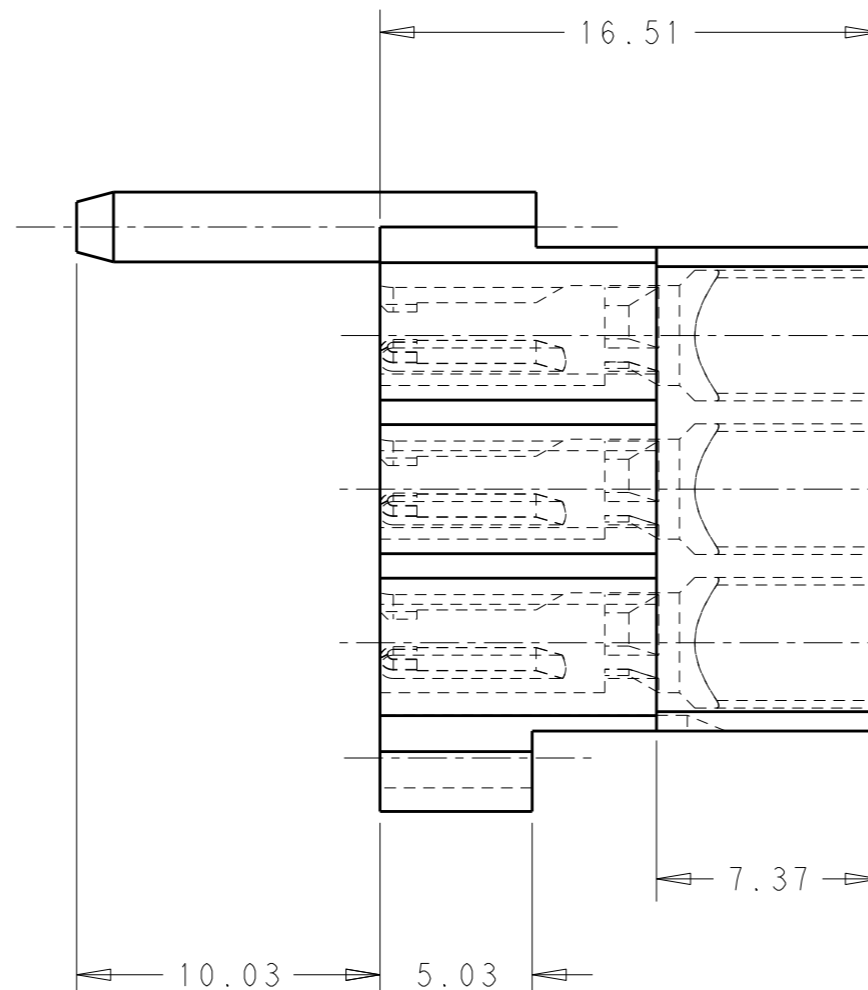
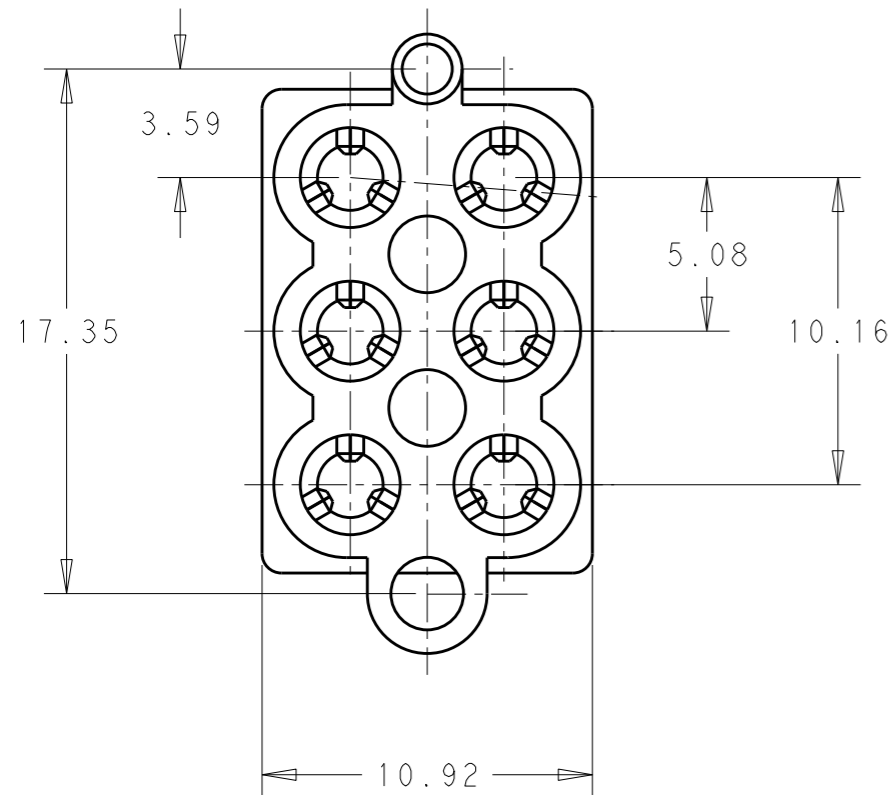
© COPYRIGHT 20

ALL RIGHTS RESERVED.

LOC AP DIST -

REVISIONS

P	LTR	DESCRIPTION	DATE	DWN	APVD
	A	REVISED BY ECO 11-014179	07FEB2012	HC	WLS



NATURAL	PA - 6.6	152304-5
FINISH	MATERIAL	PART NUMBER

THIS DRAWING IS A CONTROLLED DOCUMENT.

DIMENSIONS:	TOLERANCES UNLESS OTHERWISE SPECIFIED:
mm	
	0 PLC ±-
	1 PLC ±0,4
	2 PLC ±0,4
	3 PLC ±-
	4 PLC ±-
	ANGLES ±1°
MATERIAL -	FINISH -

DWN	05MAY2011
CHK	H.C.CANTERI
APVD	06MAY2011
NAME	W.L.STEFANI
PRODUCT SPEC	-
APPLICATION SPEC	-
WEIGHT	-
CUSTOMER DRAWING	

TE Connectivity		NAME	
		6 WAY SOCKET HOUSING FOR P.C. BOARD	
SIZE	CAGE CODE	DRAWING NO	RESTRICTED TO
A3	00779	C-152304	-
SCALE 4/1		SHEET 1 OF 1	REV A

单击下面可查看定价，库存，交付和生命周期等信息

[>>TE Connectivity\(泰科\)](#)