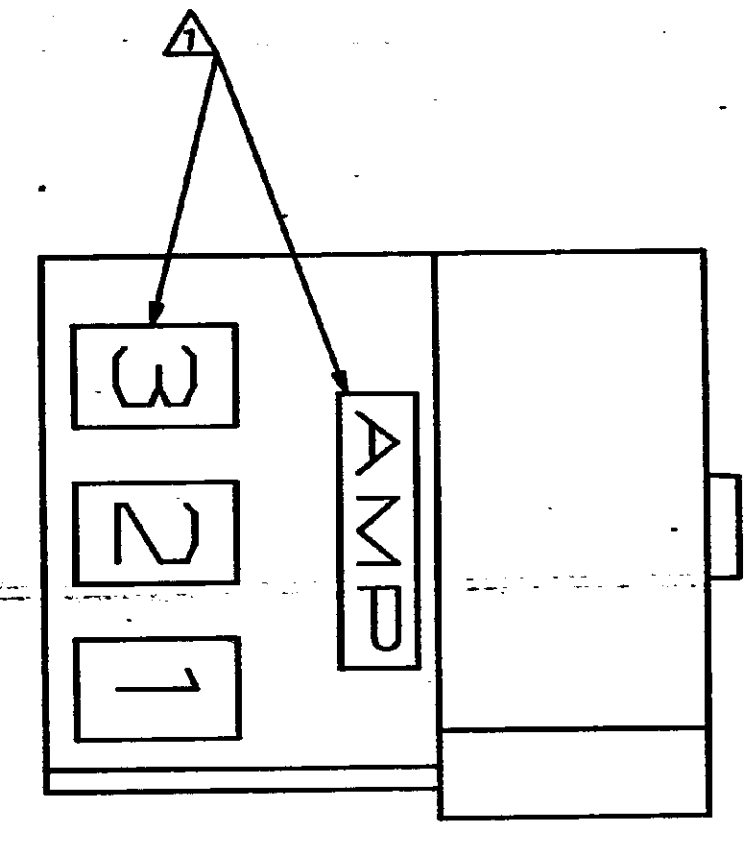
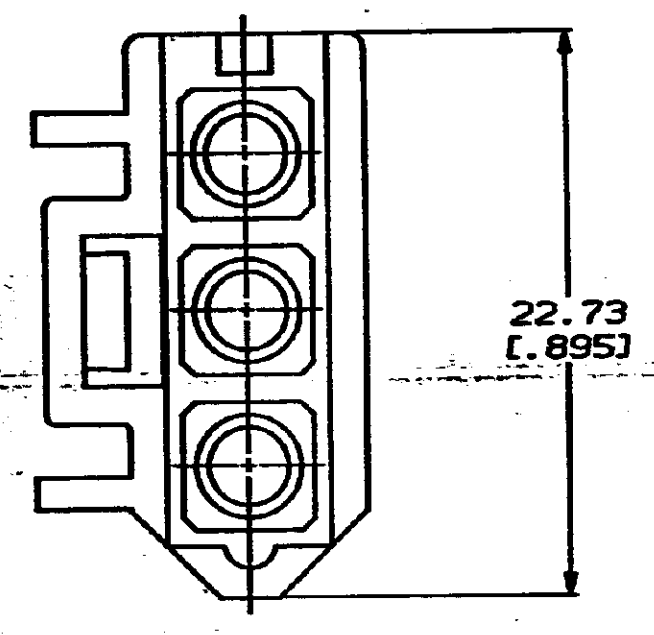
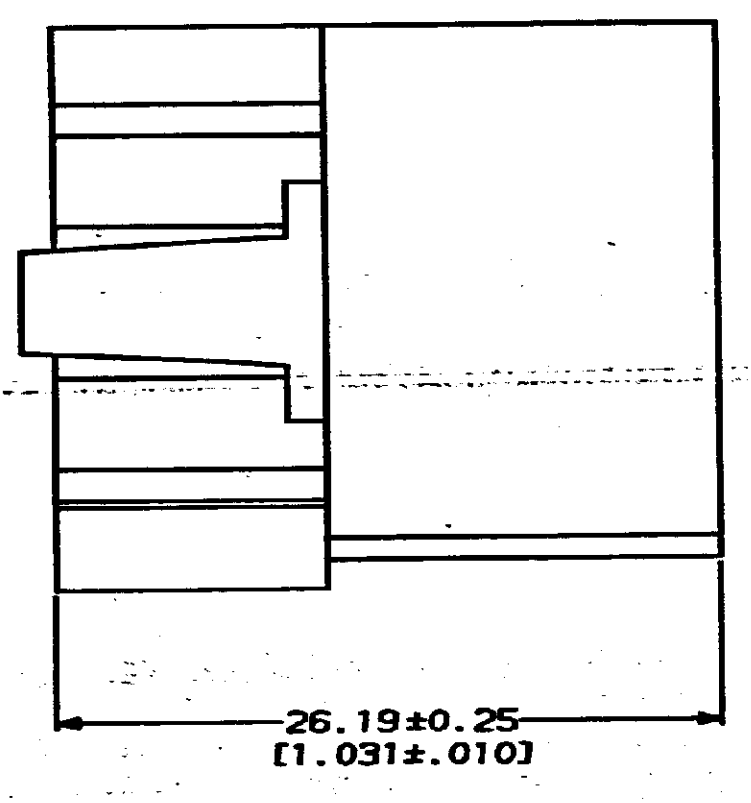
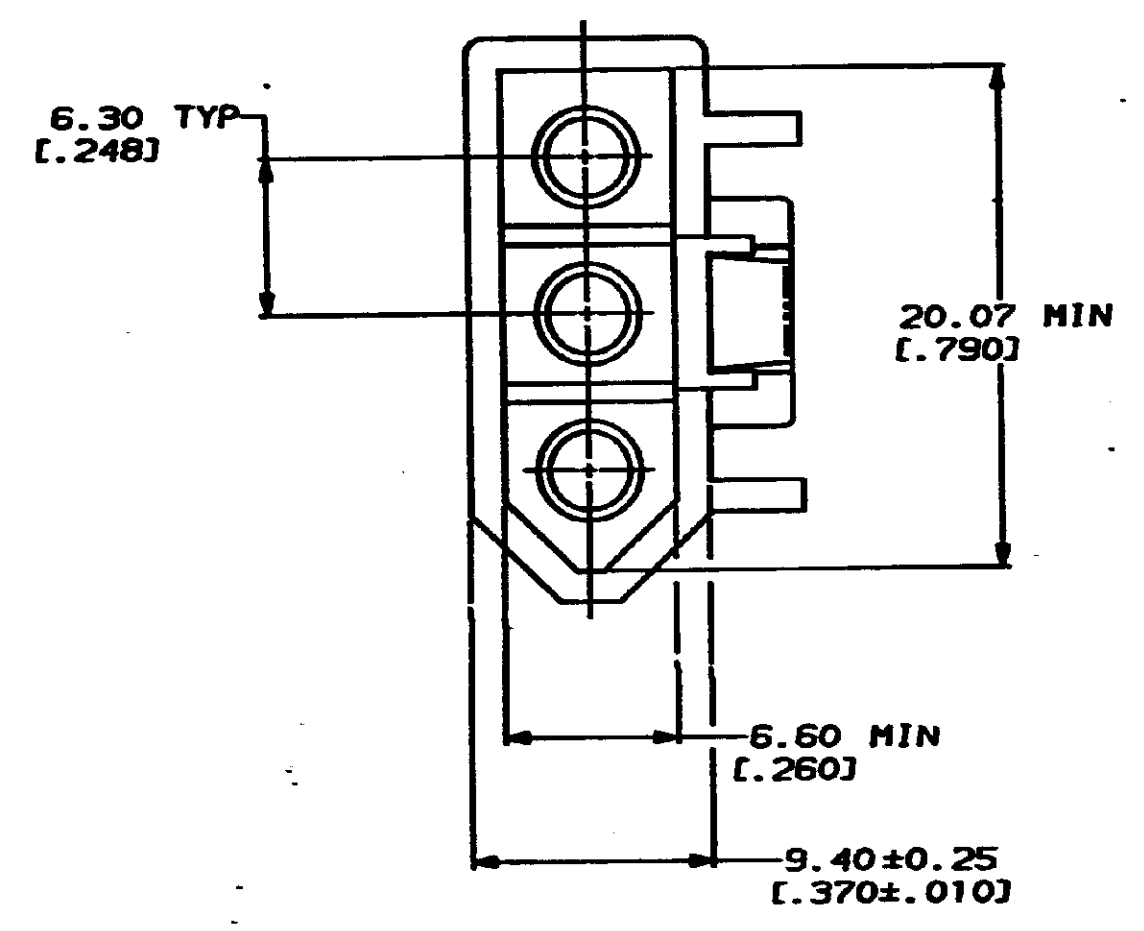
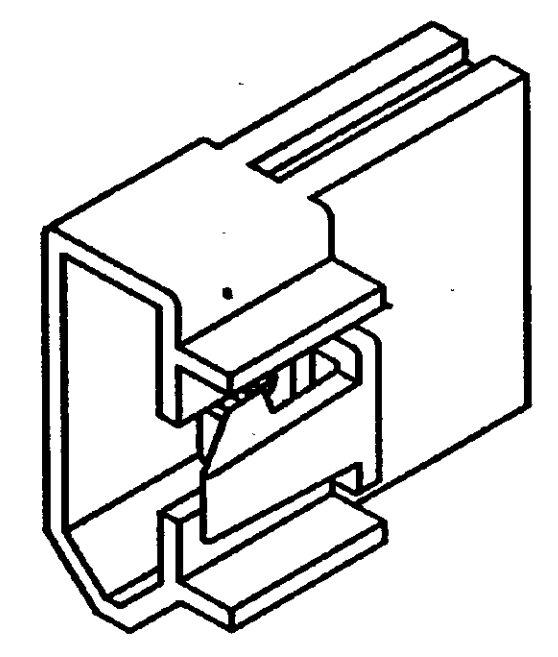


DRAWING MADE IN THIRD ANGLE PROJECTION
 THIS DRAWING IS UNPUBLISHED. RELEASED FOR PUBLICATION
 © COPYRIGHT 19 BY AMP INCORPORATED. ALL INTERNATIONAL RIGHTS RESERVED.

REV. NO.		DATE		DESCRIPTION	
CM	53	6-27-81	MS	REVIS	REVISED PER ECN CN-3424



△ AMP LOGO AND CIRCUIT NUMBERS LOCATED IN THIS AREA.
 2. DIMENSIONS IN BRACKETS ARE IN INCHES.



3-DIMENSIONAL MODEL
 NTS

METRIC

770783-1		PART NO	
DO NOT SCALE PRINT. UNLESS SPECIFIED DIMENSIONS IN mm (INCHES) TOLERANCES ON + 2 PLG DEC ± - 3 PLG DEC ± 0.13 (0.005) ANGLES ± - MATERIAL NYLON, UL 94V-2 NATURAL FINISH - WEIGHT -		AMP AMP Incorporated Harrisburg, PA 17105-3508 NAME PLUG, POSITIVE LOCK, 3 CIRCUIT, COMMERCIAL PIN AND SOCKET SIZE CASE CODE DRAWING NO D 00779 770783 SCALE 4:1 SHEET 1 OF 1	

CUSTOMER DRAWING

单击下面可查看定价，库存，交付和生命周期等信息

[>>TE Connectivity\(泰科\)](#)