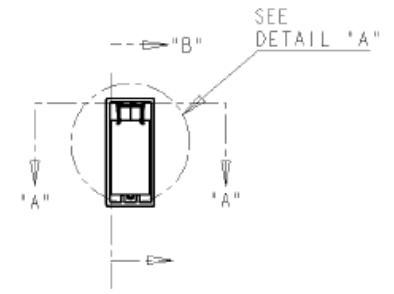
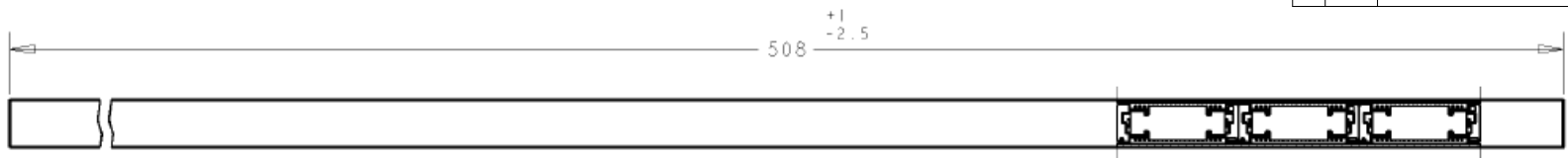
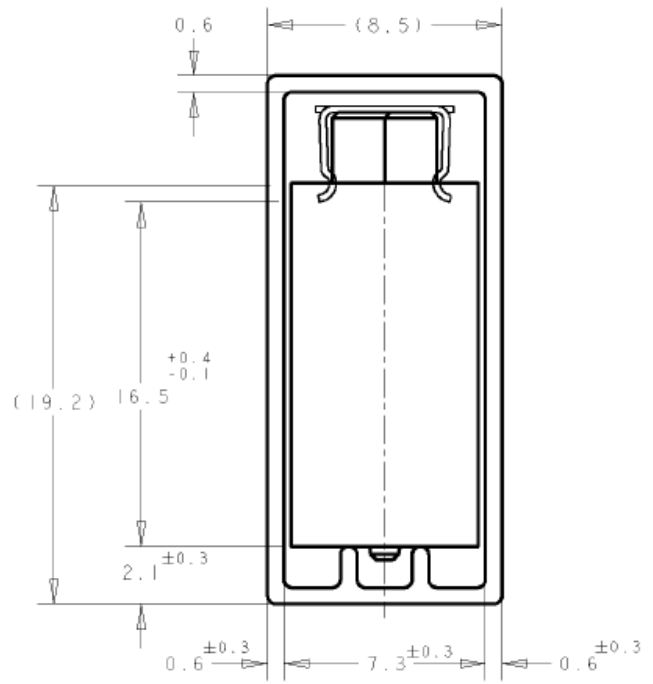


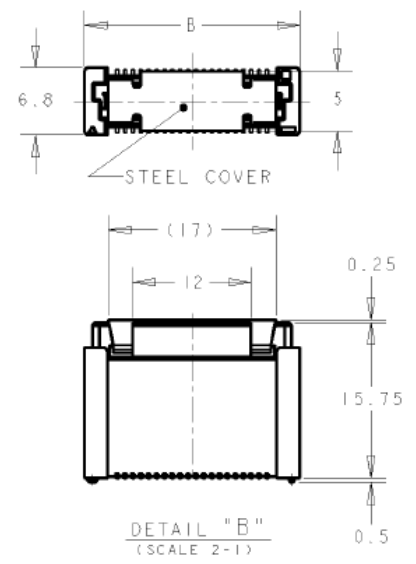
REVISIONS					
P	LTR	DESCRIPTION	DATE	DWN	APVD
A1		OBSOLETE 150POS(ECO-20-009897)	1MAR2021	A.L	H.L



SEE DETAIL "B" SECTION "B"- "B"



DETAIL "A"
(SCALE 5-1)



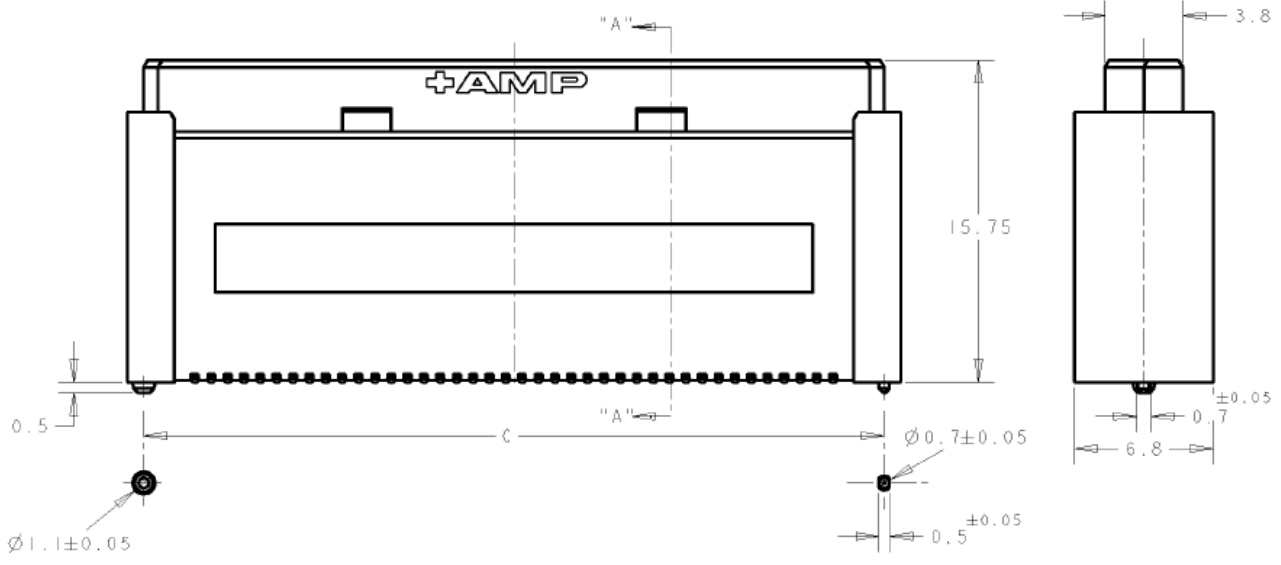
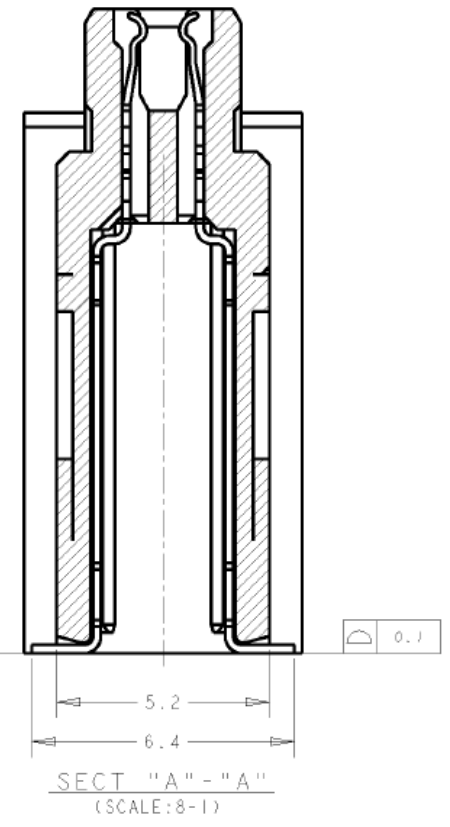
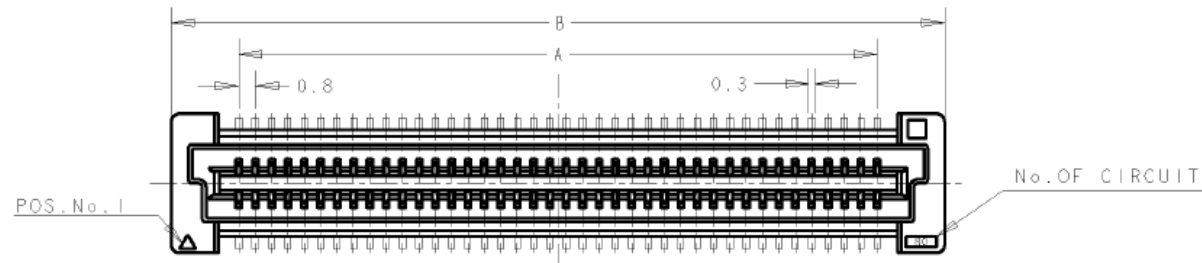
DETAIL "B"
(SCALE 2-1)

NOTES:

- 1 MATERIALS:
HOUSING: L.C.P (HIGH TEMP THERMO-PLASTIC)
UL 94V-0, NATURAL.
CONTACT: COPPER ALLOY.
- 2 FINISH:
ENGAGEMENT AREA: 0.0002 MIN GOLD
SOLDERING AREA: 0.002 MIN MATTE TIN
UNDERCOAT: 0.0013 MIN NICKEL ALL OVER
- 3 FINISH:
ENGAGEMENT AREA: 0.00076 MIN GOLD
SOLDERING AREA: 0.002 MIN MATTE TIN
UNDERCOAT: 0.0013 MIN NICKEL ALL OVER
4. POSITION SERIES; SEE P/N TABLE ON SHEET 3.
5. CONNECTOR MATED STACKED HEIGHT IS COMBINATION OF PLUG HEIGHT "Y" AND REC HEIGHT "X", LESS 5 mm.
STACKED HEIGHT = Y + X - 5
6. THIS DRAWING 1735481 DESCRIBES CONNECTORS P/N X-1735480-X WITH STEEL COVER IN TUBE PACKAGING.
CONNECTOR DIMENSIONS (ON SHEET 2) AND RECOMMENDED P.C. BOARD LAYOUT (ON SHEET 3) ARE REFERENCED FROM DRAWING NO. 1735480.

THIS DRAWING IS A CONTROLLED DOCUMENT.		DWN WYLEE	10JUL2007	TE Connectivity Ltd.	
		CHK YJ SEE			
DIMENSIONS: mm		TOLERANCES UNLESS OTHERWISE SPECIFIED:		NAME	
		0 PLC ± -		RECEPTACLE 17MM HEIGHT	
		1 PLC ± 0.30		FH 0.8MM PITCH B-T-B CONNECTOR	
		2 PLC ± 0.25		WITH STEEL COVER, IN TUBE	
		3 PLC ± 0.20		SIZE CAGE CODE DRAWING NO	
		4 PLC ANGLES ± 3'		A3 00779 C=1735481	
MATERIAL		FINISH		RESTRICTED TO	
-1		2-3		-	
CUSTOMER DRAWING				SCALE 4:1	SHEET 1 OF 3
				REV A1	

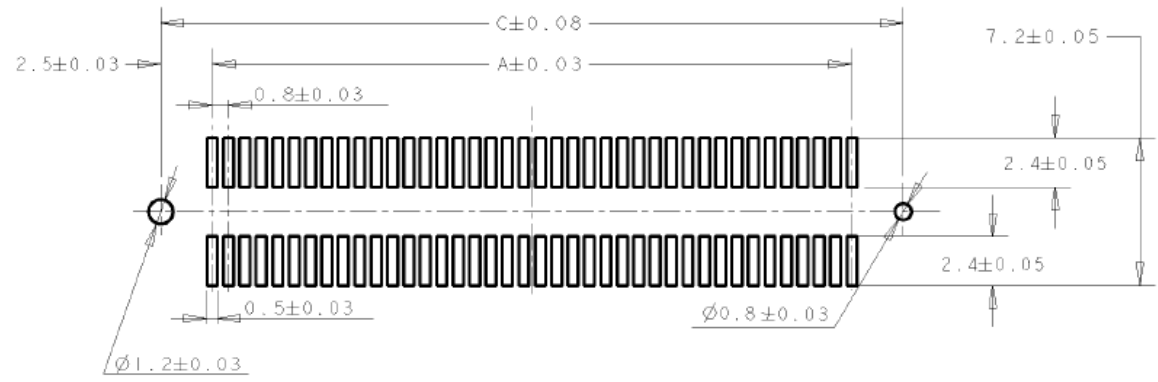
P	LTR	DESCRIPTION	DATE	DWN	APVD
-	-	SEE SHEET 1	-	-	-



CONNECTOR DIMENSIONS REFERENCED FROM DRAWING NO. 1735480.

THIS DRAWING IS A CONTROLLED DOCUMENT.		DWN WYLEE	10JUL2007	TE Connectivity Ltd.	
		CHK YJ SEE	-		
DIMENSIONS: mm		TOLERANCES UNLESS OTHERWISE SPECIFIED:		NAME	
		0 PLC	± -	SF LFONG	
		1 PLC	± 0.30	PRODUCT SPEC	
		2 PLC	± 0.25	108-5390	
		3 PLC	± 0.20	APPLICATION SPEC	
		4 PLC	± -	114-5254	
		ANGLES	± 3'	DRAWING NO	
MATERIAL		FINISH		SIZE	RESTRICTED TO
				A3	-
				CAGE CODE	DRAWING NO
				00779	C=1735481
				CUSTOMER DRAWING	
				SCALE	SHEET
				4:1	2 OF 3
				REV	
				A1	

REVISIONS					
P	LTR	DESCRIPTION	DATE	DWN	APVD
-	-	SEE SHEET 1	-	-	-



RECOMMENDED P.C. BOARD LAYOUT
(REFERENCED FROM DRAWING NO. 1735480.)

3 30 u" Au - Sn	5	84.20	85.8	79.20	8-1735480-0	200	3-1735481-0	
	6	76.20	77.8	71.20	7-1735480-9	180	2-1735481-9	
	6	68.20	69.8	63.20	7-1735480-8	160	2-1735481-8	
	7	64.20	65.8	59.20	7-1735480-7	150	2-1735481-7	
	7	60.20	61.8	55.20	7-1735480-6	140	2-1735481-6	
	9	52.20	53.8	47.20	7-1735480-5	120	2-1735481-5	
	10	44.20	45.8	39.20	7-1735480-4	100	2-1735481-4	
	12	36.20	37.8	31.20	7-1735480-3	80	2-1735481-3	
	16	28.20	29.8	23.20	7-1735480-2	60	2-1735481-2	
	22	20.20	21.8	15.20	7-1735480-1	40	2-1735481-1	
	2 08 u" Au - Sn	5	84.20	85.8	79.20	6-1735480-0	200	1-1735481-0
		6	76.20	77.8	71.20	5-1735480-9	180	1735481-9
6		68.20	69.8	63.20	5-1735480-8	160	1735481-8	
7		64.20	65.8	59.20	5-1735480-7	150	1735481-7	
7		60.20	61.8	55.20	5-1735480-6	140	1735481-6	
9		52.20	53.8	47.20	5-1735480-5	120	1735481-5	
10		44.20	45.8	39.20	5-1735480-4	100	1735481-4	
12		36.20	37.8	31.20	5-1735480-3	80	1735481-3	
16		28.20	29.8	23.20	5-1735480-2	60	1735481-2	
22		20.20	21.8	15.20	5-1735480-1	40	1735481-1	

CONTACT FINISH	QTY/TUBE	C	B	A	CONN. P/N	POS.	PART NO.
30 u" Au - Sn	200	84.20	85.8	79.20	8-1735480-0	200	3-1735481-0
08 u" Au - Sn	180	76.20	77.8	71.20	5-1735480-9	180	1735481-9
	160	68.20	69.8	63.20	5-1735480-8	160	1735481-8
	150	64.20	65.8	59.20	5-1735480-7	150	1735481-7
	140	60.20	61.8	55.20	5-1735480-6	140	1735481-6
	120	52.20	53.8	47.20	5-1735480-5	120	1735481-5
	100	44.20	45.8	39.20	5-1735480-4	100	1735481-4
	80	36.20	37.8	31.20	5-1735480-3	80	1735481-3
	60	28.20	29.8	23.20	5-1735480-2	60	1735481-2
	40	20.20	21.8	15.20	5-1735480-1	40	1735481-1

THIS DRAWING IS A CONTROLLED DOCUMENT.

DIMENSIONS: mm	TOLERANCES UNLESS OTHERWISE SPECIFIED:
	0 PLC ± -
	1 PLC ± 0.30
	2 PLC ± 0.25
	3 PLC ± 0.20
	4 PLC ± -
	ANGLES ± 3'
MATERIAL	FINISH
-	-

DWN	10JUL2007
CHK	WYLEE
YJ SEE	-
APVD	SF LFONG
PRODUCT SPEC	108-5390
APPLICATION SPEC	114-5254
WEIGHT	-
CUSTOMER DRAWING	



RECEPTACLE 17MM HEIGHT FH 0.8MM PITCH B-T-B CONNECTOR WITH STEEL COVER, IN TUBE			
SIZE	CAGE CODE	DRAWING NO	RESTRICTED TO
A3	00779	G=1735481	-
SCALE 4:1		SHEET 3 OF 3	REV A1

单击下面可查看定价，库存，交付和生命周期等信息

[>>TE Connectivity\(泰科\)](#)