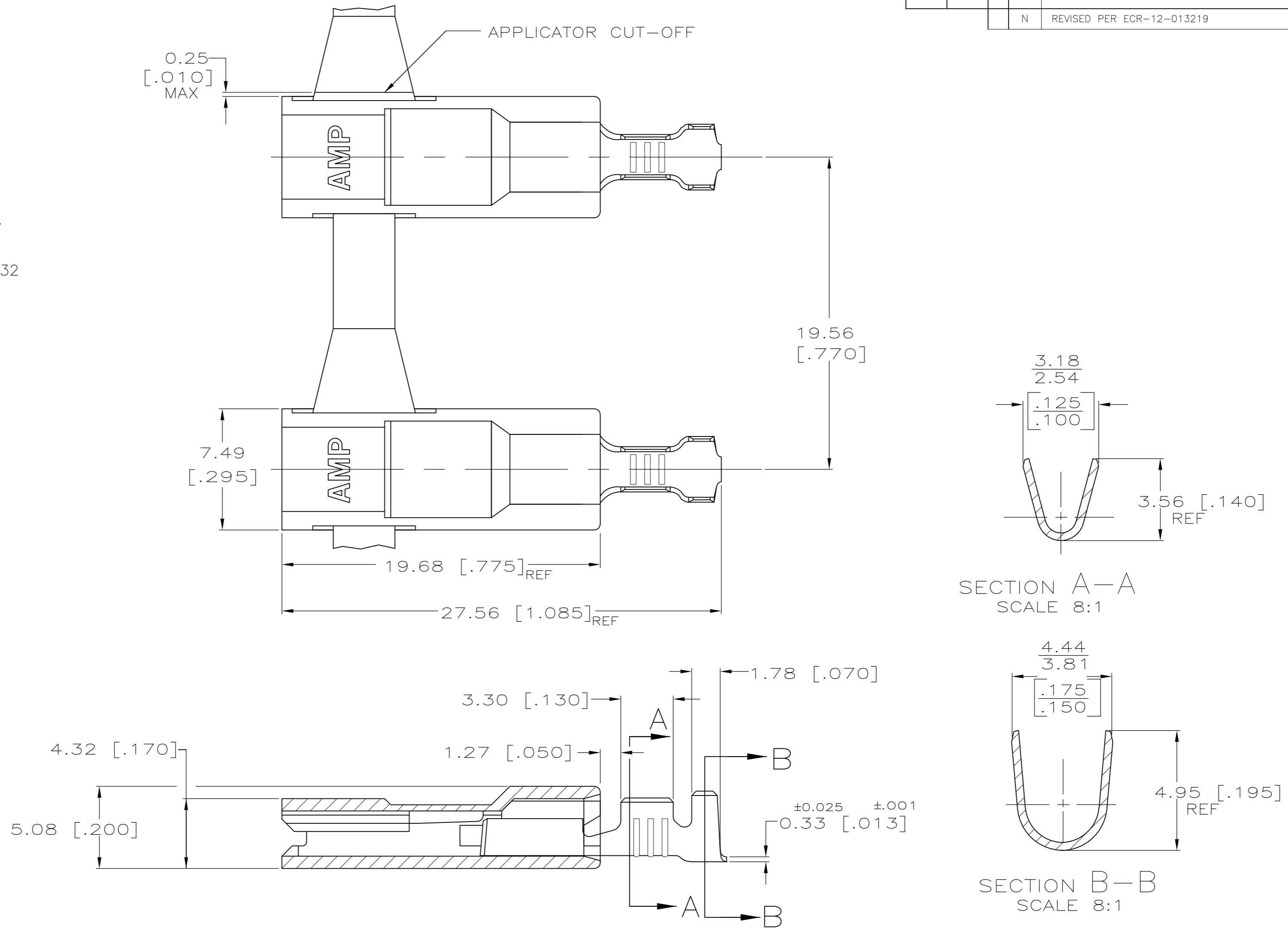


THIS DRAWING IS UNPUBLISHED. RELEASED FOR PUBLICATION
 © COPYRIGHT - By - ALL RIGHTS RESERVED.

LOC	DIST	REVISIONS			
P	LTR	DESCRIPTION	DATE	DWN	APVD
AF	50				
N		REVISED PER ECR-12-013219	08JAN13	KH	KR



- 1 FASTON TERMINALS, BASE P/N 63654, ARE USED IN THIS PRODUCT.
- 2 TIN PLATE PER MIL-T-10727, 0.002032 [.000080] MIN.
- 3 MATERIAL: HOUSING - 6/6 NYLON
TERMINAL - BRASS
- 4 FINISH: SEE TABLE

OBSOLETE	BULK	NATURAL	PLAIN	2.29-3.30 [.090-.130]	0.5-1.3 mm ² [20-16]	0.813 [.032]	MATING TAB THK ±0.025 [±.001]	-5-520982-1
	STANDARD	BLACK	PLAIN					520982-8
		NATURAL	TIN 2					520982-2
		NATURAL	PLAIN					520982-1
PACKAGING	HOUSING COLOR	TERMINAL FINISH	INSULATION RANGE	WIRE SIZE	PART NO.			

THIS DRAWING IS A CONTROLLED DOCUMENT.		DWN	JR RUTH	12/6/90	 TE Connectivity			
DIMENSIONS: mm [INCHES]		CHK	MS FEHER	12/6/90				
TOLERANCES UNLESS OTHERWISE SPECIFIED:		APVD	R KUZO	12/6/90				
0 PLC ± - 1 PLC ± - 2 PLC ± - 3 PLC ± 0.25 [.010] 4 PLC ± - ANGLES ± - FINISH		PRODUCT SPEC	118-1285					
MATERIAL	- 3	APPLICATION SPEC	114-2124		NAME	ASSEMBLY, RECEPTACLE, ULTRA-POD, 4.8 [.187] SERIES		
CUSTOMER DRAWING		WEIGHT	-		SIZE	A2	CAGE CODE	00779
		FINISH	- 4		DRAWING NO	C=520982		
					SCALE	5:1	SHEET	1 OF 1
					REV	N		

单击下面可查看定价，库存，交付和生命周期等信息

[>>TE Connectivity\(泰科\)](#)