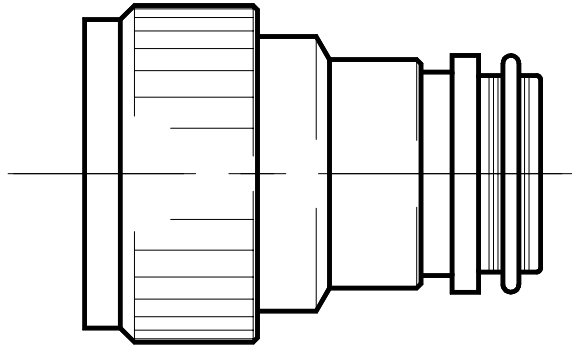


REVISIONS			
LTR	DESCRIPTION	DATE	APPROVED
N/C	INITIAL ISSUE	SEP 97	KJW


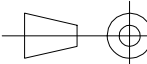


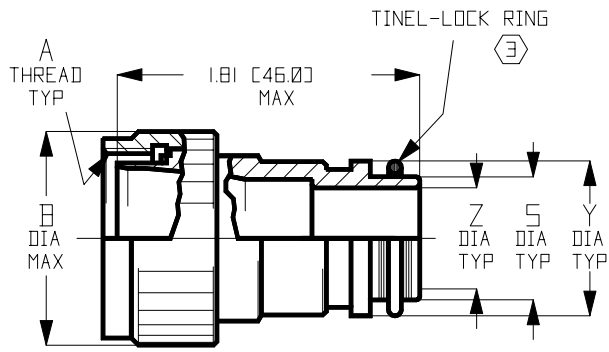
CODE 58 TINEL-LOCK ADAPTER

NOTES:

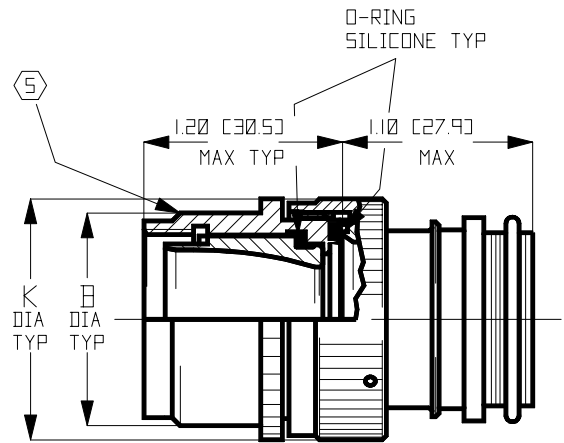
- THIS PRODUCT IS DESIGNED TO TERMINATE A BRAIDED CABLE SHIELD AND A HEAT SHRINKABLE LIPPED BOOT TO A CONNECTOR.
- SEE CHØØ-Ø25Ø-ØØØ FOR ORDERING INFORMATION, MODIFICATIONS AND ADDITIONAL DIMENSIONS.
- SEE DRAWING TR FOR DETAIL ON TINEL-LOCK RING. RINGS ARE DESIGNED TO BE HEATED ELECTRICALLY. ALL RINGS ARE MARKED WITH THERMOCHROMIC PAINT WHICH CHANGES COLOUR WHEN INSTALLATION TEMPERATURE IS REACHED.
- ADAPTER TO BE PERMANENTLY MARKED WITH CODE IDENTIFICATION NUMBER AND PART NUMBER LESS RING DESIGNATOR. (e.g. Ø6Ø9Ø-TXR58AØØØ-2Ø12). RING SHALL BEAR NO MARKING.
- FOR LARGER ENTRY SIZES, A 2 PIECE ADAPTER (TYPE II) IS SUPPLIED.
- ADAPTOR MATES TO: ITT CANNON M531ØØ, M531Ø1, M531Ø6 AND M531Ø8 CONNECTORS, CLASSES E, F AND R LESS ACCESSORIES, TO MIL-C-5Ø15Ø.

**If this document is printed it becomes uncontrolled.
Check with document control for latest revision.**
SPECIFICATION CONTROL DRAWING

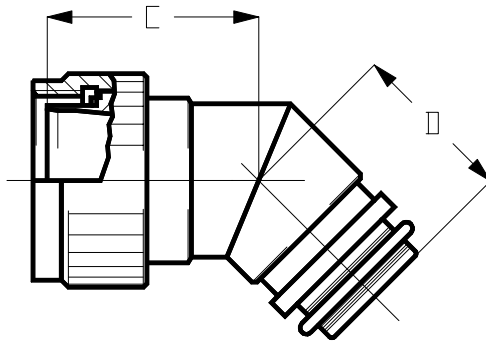
UNLESS OTHERWISE SPECIFIED DIMENSIONS ARE IN INCHES. METRIC DIMENSIONS ARE IN BRACKETS. DECIMALS .X # --- [MM] .XX # --- [MM] .XXX # --- [MM] ANGLES .X # ---	DRAWN IRT	DATE SEP 97	 RAYCHEM CORPORATION 300 CONSTITUTION DRIVE MENLO PARK CALIFORNIA 94025		
	CHECKED KJW	DATE SEP 97			
	APPROVED KJW	DATE SEP 97			
	APPROVED KJW	DATE SEP 97			
CAD NAME TXR58SCD-1		TITLE TINEL-LOCK™ ADAPTER			
THIRD ANGLE PROJECTION		SIZE A	CODE IDENT. NO. Ø6Ø9Ø	DWG. NO. TXR58	REV N/C



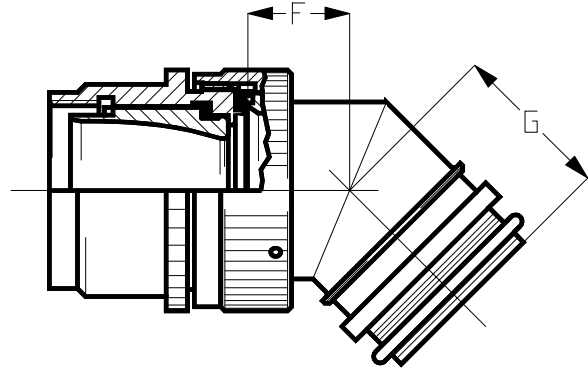
STRAIGHT ADAPTER - TYPE I



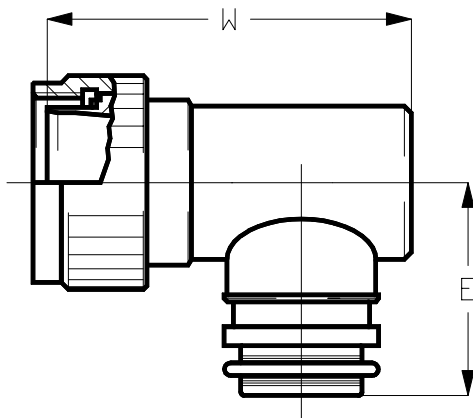
STRAIGHT ADAPTER - TYPE II



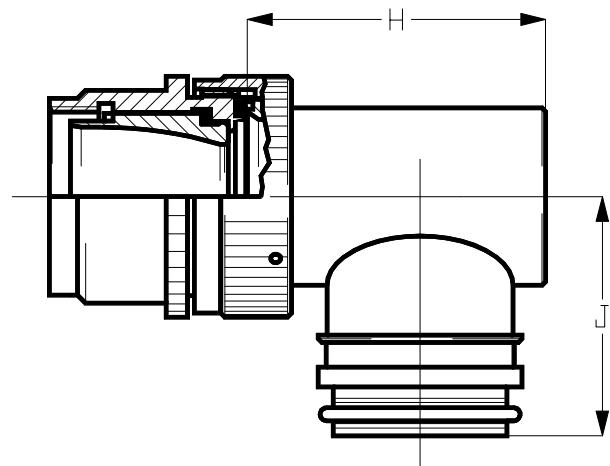
45# ADAPTER - TYPE I



45# ADAPTER - TYPE II



90# ADAPTER - TYPE I



90# ADAPTER - TYPE II

If this document is printed it becomes uncontrolled. Check with document control for latest revision.

SIZE A	CODE IDENT. NO. 06090	DWG. NO. TXR58	REV N/C
-----------	--------------------------	-------------------	------------

ORDER NO.	SHELL SIZE Ⓟ	MAX ENTRY SIZE TYPE I Ⓢ	A UNIFIED THREAD CLASS 2B	B DIA MAX	C MAX	D MAX	E MAX
10	10SL	05	0.5625"-24 UNEF	.79 [20.1]	.77 [19.5]	.89 [22.5]	1.06 [27.0]
12	12 & 12S	05	0.6250"-24 UNEF	.92 [23.4]	.85 [21.5]	.89 [22.5]	1.10 [28.0]
14	14S	07	0.7500"-20 UNEF	.98 [24.9]	.89 [22.5]	.91 [23.0]	1.12 [28.5]
16	16 & 16S	08	0.8750"-20 UNEF	1.09 [27.7]	.93 [23.5]	.93 [23.5]	1.18 [30.0]
18	18	08	1.0000"-20 UNEF	1.23 [31.2]	1.24 [31.5]	.93 [23.5]	1.20 [30.5]
20	20	12	1.1250"-18 UNEF	1.41 [35.7]	1.26 [32.0]	.98 [25.0]	1.30 [33.0]
22	22	12	1.2500"-18 UNEF	1.53 [38.9]	1.30 [33.0]	1.00 [25.5]	1.32 [33.5]
24	24	16	1.3750"-18 UNEF	1.65 [42.0]	1.32 [33.5]	1.02 [26.0]	1.42 [36.0]
28	28	18	1.6250"-18 UNEF	1.91 [48.4]	1.38 [35.0]	1.06 [27.0]	1.48 [37.5]
32	32	20	1.8750"-16 UN	2.15 [54.7]	1.44 [36.5]	1.10 [28.0]	1.57 [40.0]
36	36	22	2.1250"-16 UN	2.70 [68.6]	1.50 [38.0]	1.14 [29.0]	1.77 [45.0]

ENTRY SIZE	Z DIA +0.010 -0.020 [+0.25] [-0.50]	S DIAMETER	Y DIA #015 [#0.38]	W MAX	F MAX	G MAX	H MAX	J MAX	K MAX
04	.250 [6.35]	.376 [9.56] .370 [9.39]	.550 [13.97]	1.71 [43.5]	N/A	N/A	N/A	N/A	N/A
05	.312 [7.92]	.438 [11.13] .432 [10.97]	.612 [15.54]	1.75 [44.5]	N/A	N/A	N/A	N/A	N/A
06	.375 [9.52]	.501 [12.73] .495 [12.57]	.675 [17.14]	1.81 [46.0]	.77 [19.6]	.93 [23.6]	1.19 [30.2]	1.16 [29.5]	.80 [20.3]
07	.437 [11.09]	.563 [14.31] .556 [14.12]	.737 [18.71]	1.87 [47.5]	.80 [20.3]	.95 [24.1]	1.38 [35.1]	1.22 [31.0]	.92 [23.4]
08	.500 [12.70]	.626 [15.91] .619 [15.72]	.800 [20.32]	1.95 [49.5]	.80 [20.3]	.95 [24.1]	1.38 [35.1]	1.22 [31.0]	.92 [23.4]
10	.625 [15.87]	.752 [19.11] .742 [18.84]	.925 [23.49]	2.07 [52.5]	.84 [21.3]	1.00 [25.4]	1.51 [38.4]	1.35 [34.3]	1.18 [30.0]
12	.750 [19.05]	.877 [22.28] .867 [22.02]	1.050 [26.67]	2.19 [55.5]	.86 [21.8]	1.01 [25.7]	1.63 [41.4]	1.40 [35.6]	1.35 [34.3]
14	.875 [22.23]	1.002 [25.46] .991 [25.17]	1.175 [29.84]	2.32 [59.0]	.88 [22.4]	1.04 [26.4]	1.78 [45.2]	1.46 [37.1]	1.41 [35.8]
16	1.000 [25.40]	1.127 [28.63] 1.116 [28.34]	1.300 [33.02]	2.44 [62.0]	.91 [23.1]	1.06 [26.9]	1.88 [47.8]	1.53 [38.9]	1.60 [40.6]
18	1.125 [28.57]	1.252 [31.81] 1.241 [31.52]	1.425 [36.19]	2.56 [65.0]	.93 [23.6]	1.09 [27.7]	2.01 [51.1]	1.59 [40.4]	1.66 [42.2]
20	1.250 [31.75]	1.377 [34.98] 1.366 [34.69]	1.550 [39.37]	2.72 [69.0]	.98 [24.9]	1.13 [28.7]	2.13 [54.1]	1.78 [45.2]	2.04 [51.8]
22	1.375 [34.93]	1.502 [38.15] 1.488 [37.79]	1.675 [42.55]	2.80 [71.0]	1.03 [26.2]	1.38 [35.1]	2.29 [58.2]	1.85 [47.0]	2.23 [56.6]
24	1.500 [38.10]	1.627 [41.33] 1.613 [40.97]	1.800 [45.72]	N/A	1.08 [27.4]	1.44 [36.6]	2.42 [61.5]	1.92 [48.8]	2.23 [56.6]

If this document is printed it becomes uncontrolled.
Check with document control for latest revision.

SIZE A	CODE IDENT. NO. 06090	DWG. NO. TXR58	REV N/C
-----------	--------------------------	-------------------	------------

单击下面可查看定价，库存，交付和生命周期等信息

[>>TE Connectivity\(泰科\)](#)