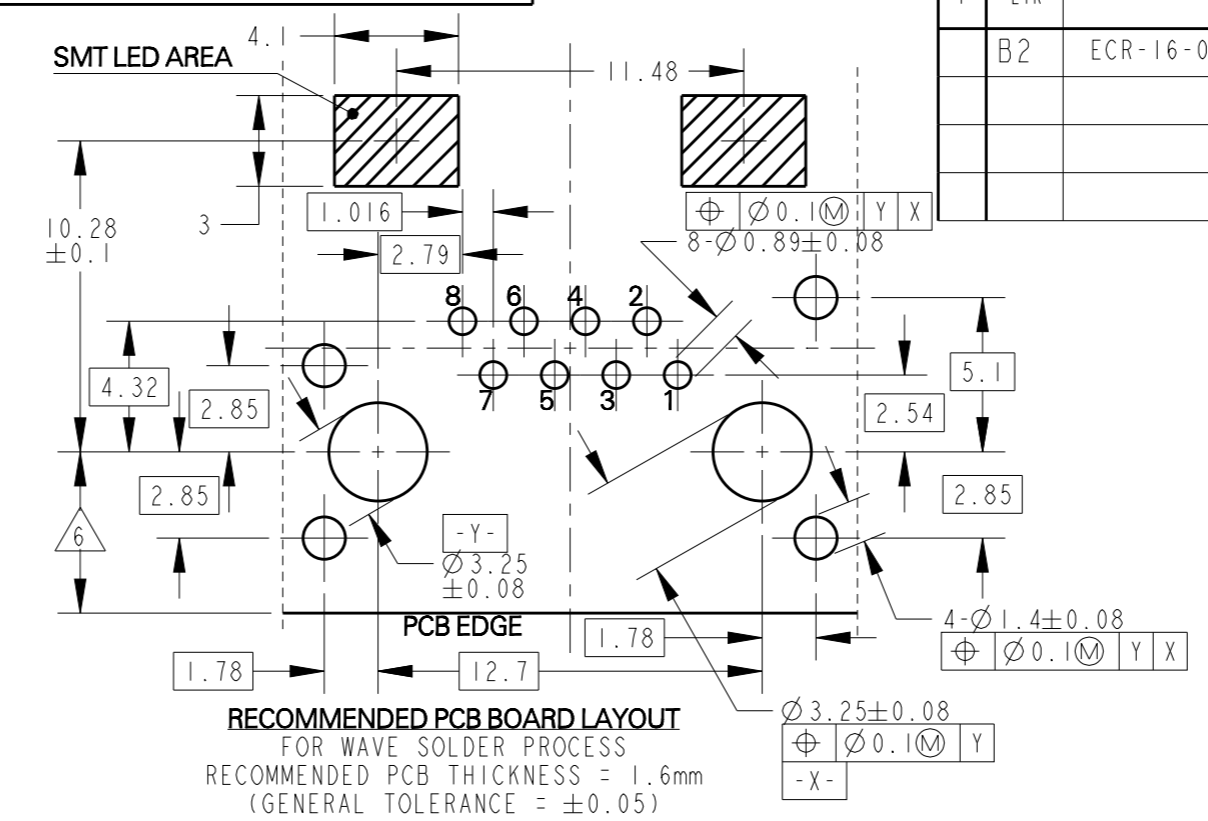
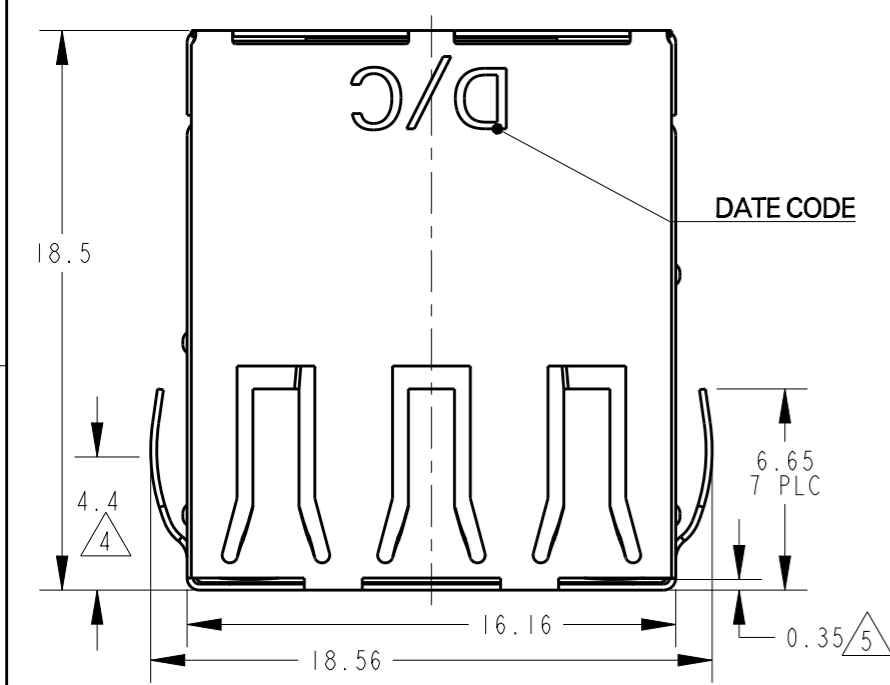
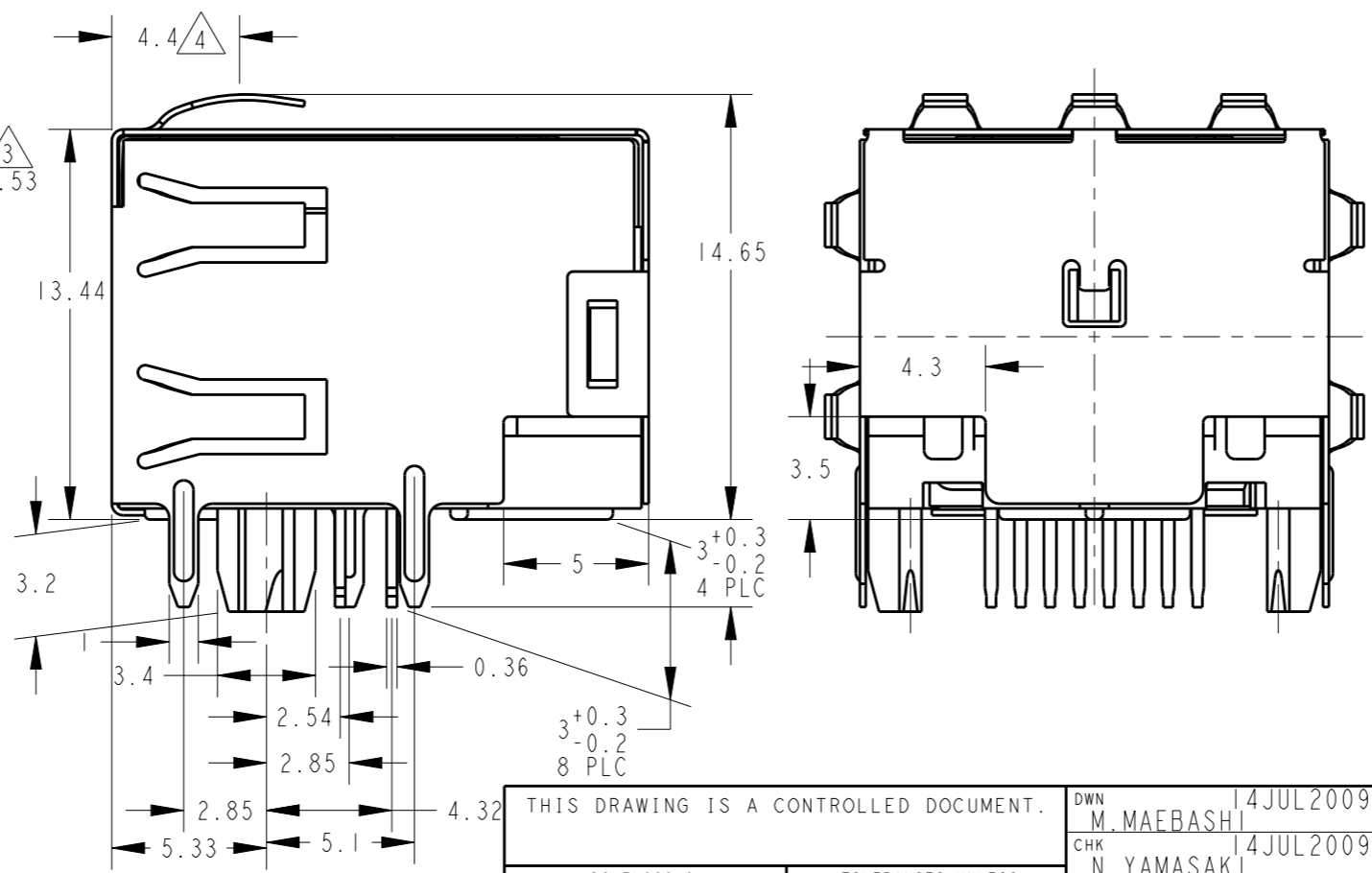
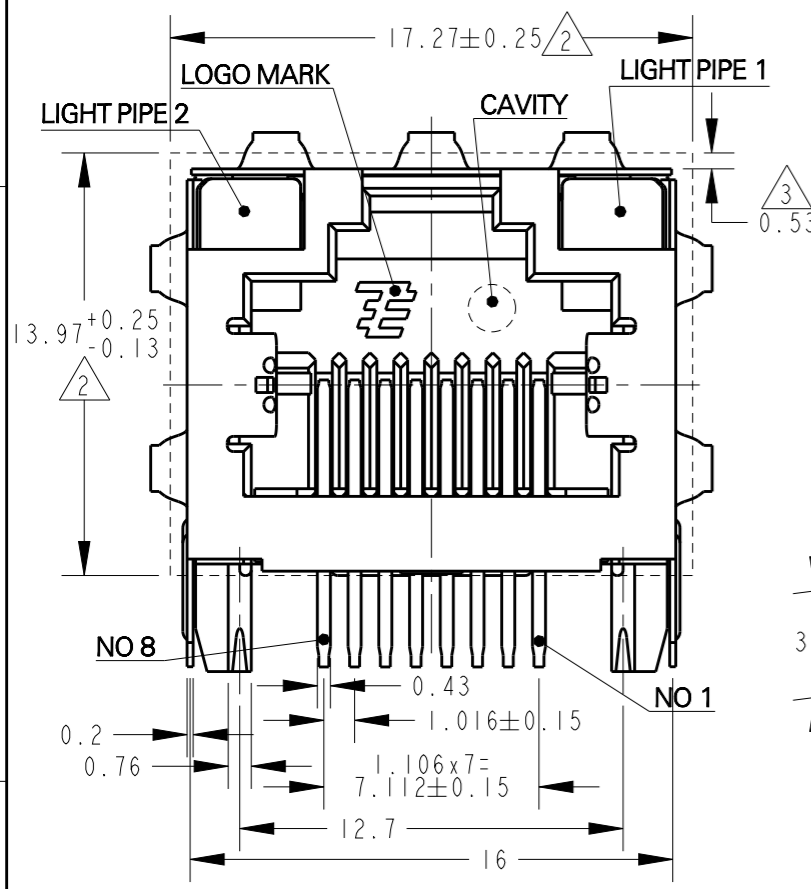
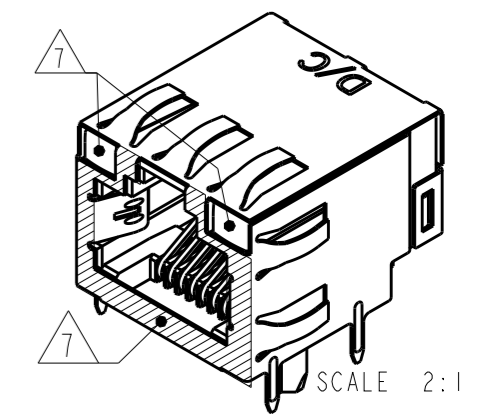


THIS DRAWING IS UNPUBLISHED. RELEASED FOR PUBLICATION 20
 © COPYRIGHT 20 BY - ALL RIGHTS RESERVED.

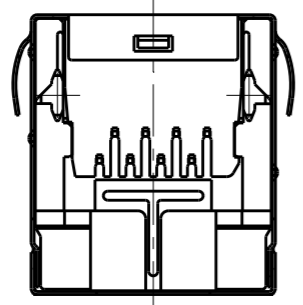
REVISIONS				
P	LTR	DESCRIPTION	DATE	APVD
	B2	ECR-16-013788	28SEP2016	T.S N.Y



- 1 AS SHOWN
RECOMMENDED ETHERNET PLUG
 INDUSTRIAL ETHERNET : 1903527-1
 MODULAR PLUG KIT : 5-1479185-3



- △ MATERIAL
 BODY HOUSING : HIGH TEMPERATURE THERMOPLASTIC, BLACK, UL94V-0.
 INSERT HOUSING : HIGH TEMPERATURE THERMOPLASTIC, BLACK, UL94V-0.
 LIGHT PIPE HOUSING : HIGH TEMPERATURE THERMOPLASTIC, CLEAR, UL94V-2
 TERMINALS : 0.36mm THICKNESS PHOSPH-BRONZE PLATED WITH 3.81µmMIN BRIGHT TIN IN SOLDER AREA, 1.27µmMIN GOLD IN CONTACT AREA, ALL OVER 1.27µmMIN NICKEL.
 SHIELD : 0.2mm THICKNESS PHOSPH-BRONZE PRE-PLATED 1.27µmMIN SEMI-BRIGHT NICKEL, AND POST DIPPED 2.0µmMIN BRIGHT TIN ON PCB GROUND TABS
- △ SUGGESTED PANEL OPENING DIMENSIONS.
- △ SUGGESTED CLEARANCE BETWEEN TOP OF CONNECTOR AND TOP PANEL OPENING.
- △ SUGGESTED PANEL LOCATION POINT.
- △ OFFSET TO LIGHT PIPE.
- △ TO BE DETERMINED BY CUSTOMER.
- △ NO VISIBLE SCRACH AND DAMAGE ON HATCHING AREA AND LIGHT PIPE SURFACE BY VISUAL INSPECTION 300MM APART FROM PRODUCT.



THIS DRAWING IS A CONTROLLED DOCUMENT.		DWN M. MAEBASHI 14JUL2009
		CHK N. YAMASAKI 14JUL2009
		APVD T. KIMURA 14JUL2009
DIMENSIONS: mm		PRODUCT SPEC 108-78645
TOLERANCES UNLESS OTHERWISE SPECIFIED: ±0.3, ±5°		APPLICATION SPEC -
0 PLC ± 1 PLC ± 2 PLC ± 3 PLC ± 4 PLC ± ANGLES ±		WEIGHT -
MATERIAL △		CUSTOMER DRAWING
FINISH △		SCALE 4:1

TE Connectivity		NAME	
		RJ45 GIGABIT MODULAR JACK WITH LIGHT PIPE RIGHT ANGLE TYPE 8POS	
SIZE	CAGE CODE	DRAWING NO	RESTRICTED TO
A3	00779	C=1827585	-
SHEET 1 OF 1		REV B2	

单击下面可查看定价，库存，交付和生命周期等信息

[>>TE Connectivity\(泰科\)](#)