

4

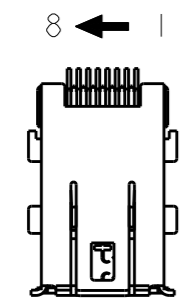
3

2

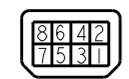
1

THIS DRAWING IS UNPUBLISHED. RELEASED FOR PUBLICATION 20  
© COPYRIGHT 20 BY - ALL RIGHTS RESERVED.

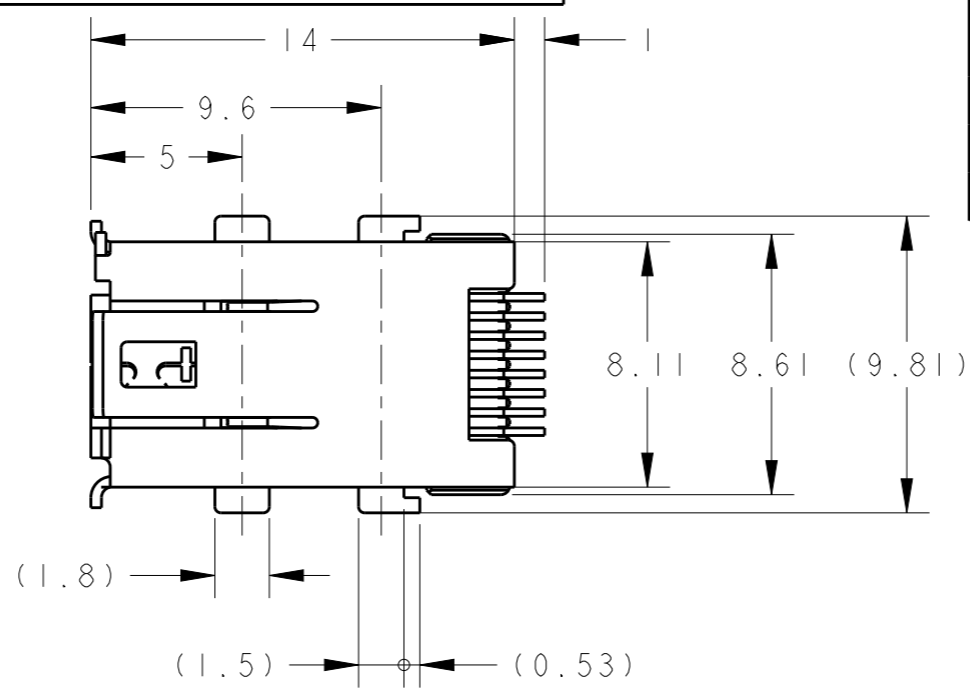
REVISIONS					
P	LTR	DESCRIPTION	DATE	DWN	APVD
	B	REVISED PER ECR-17-014980	01MAY2018	TS	EI



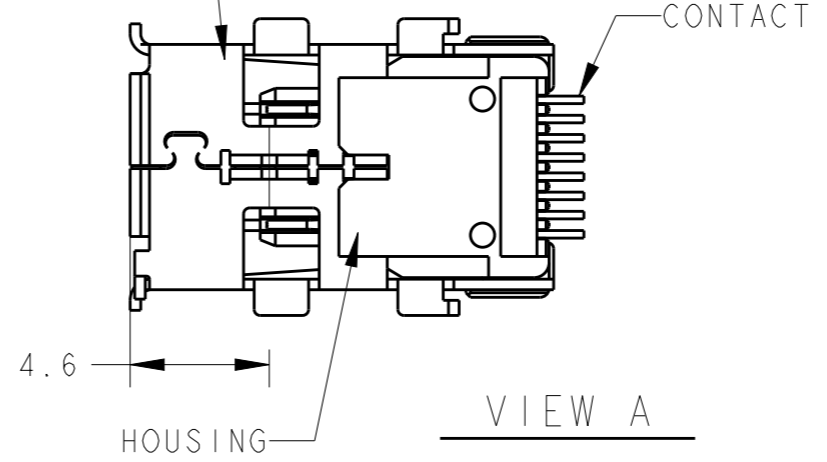
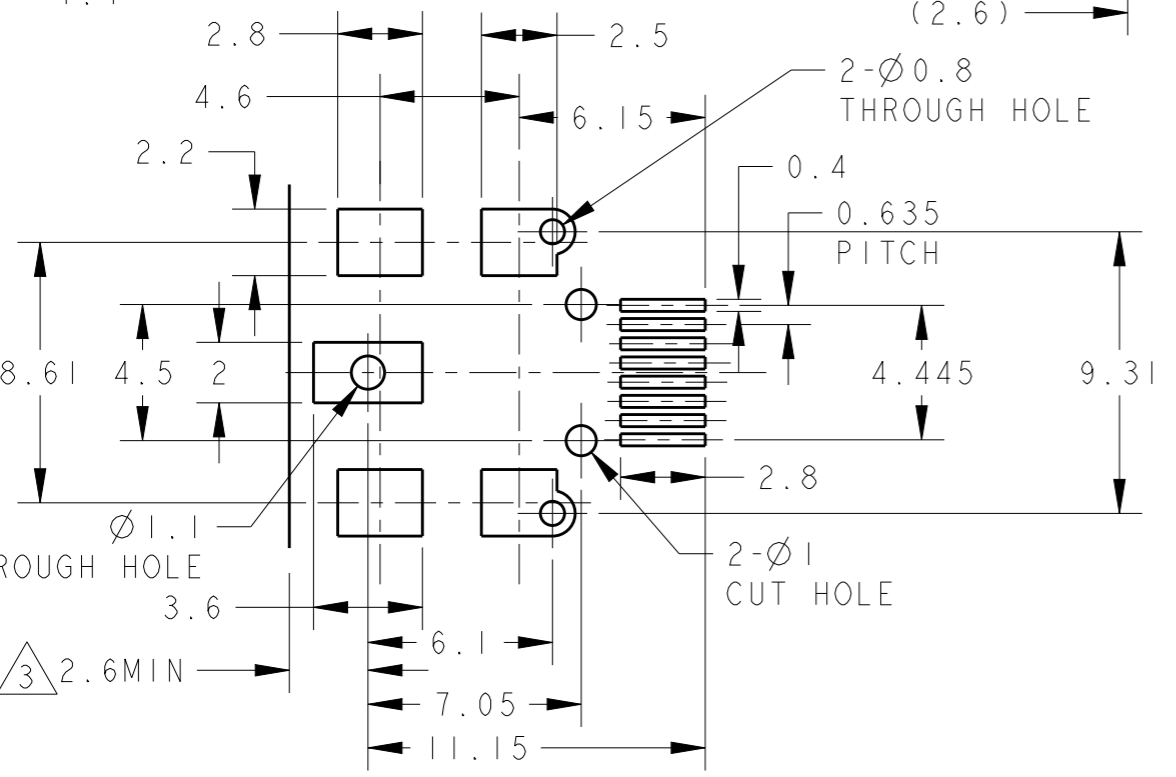
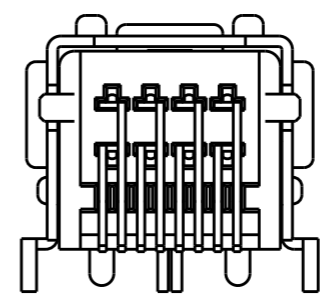
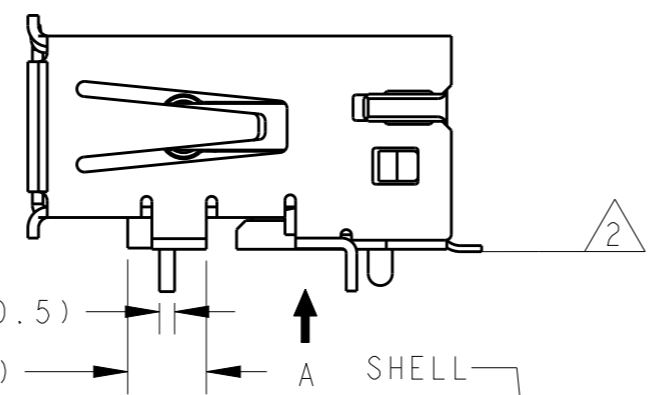
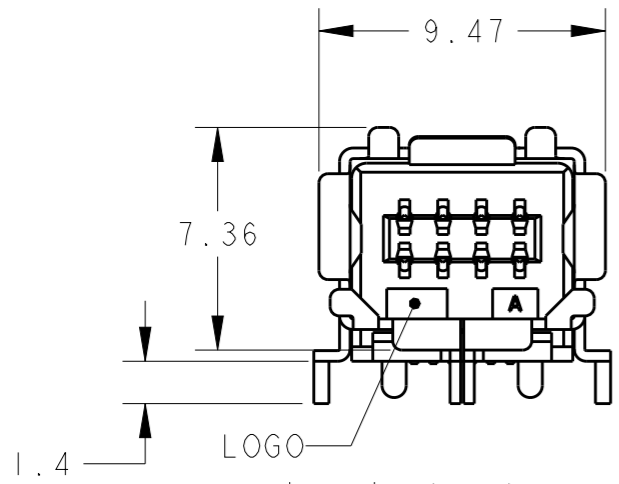
D-SHAPE TYPE 2



CIRCUIT NO.



- 1 MATERIAL AND FINISH  
CONTACT  
COPPER ALLOY  
UNDER ALL SURFACE Ni 1.27μm MIN  
TOP CONTACT AREA Au 0.5μm MIN  
SOLDERING AREA Au FLASH
- HOUSING  
THERMO PLASTIC(UL94V-0)
- SHELL  
COPPER ALLOY  
UNDER ALL SURFACE Ni  
TOP ALL SURFACE Sn
- 2 COPLANARITY 0.1 MAX(TOP OF LEAD)
- 3 DIMENSION DECIDED BY CUSTOMER.



RECOMMENDED BOARD DIMENSION  
(CONNECTOR SIDE) ±1.6  
TOLERANCE ±0.05

THIS DRAWING IS A CONTROLLED DOCUMENT.		DWN S. INOMATA 13NOV2007
		CHK I. HASEGAWA 13NOV2007
		APVD I. HASEGAWA 13NOV2007
DIMENSIONS: mm		PRODUCT SPEC 108-78405
TOLERANCES UNLESS OTHERWISE SPECIFIED: ±0.2		APPLICATION SPEC 114-32132
<ul style="list-style-type: none"> <li>0 PLC ±</li> <li>1 PLC ±</li> <li>2 PLC ±</li> <li>3 PLC ±</li> <li>4 PLC ±</li> <li>ANGLES ±</li> </ul>		WEIGHT -
MATERIAL 1	FINISH 1	CUSTOMER DRAWING

TRAY (SEE SHEET 2 OF 2)		1981386-1	
PACKAGING STYLE		PART NO.	
<b>STE</b> TE Connectivity			
NAME INDUSTRIAL MINI I/O CONN. 1.27MM PITCH 8P HDR ASSY D-SHAPE TYPE 2			
SIZE A3	CAGE CODE -	DRAWING NO. C-1981386	RESTRICTED TO
SCALE 4:1		SHEET 1 OF 2	REV B

4

3

2

1

THIS DRAWING IS UNPUBLISHED. RELEASED FOR PUBLICATION 20  
 © COPYRIGHT 20 BY - ALL RIGHTS RESERVED.

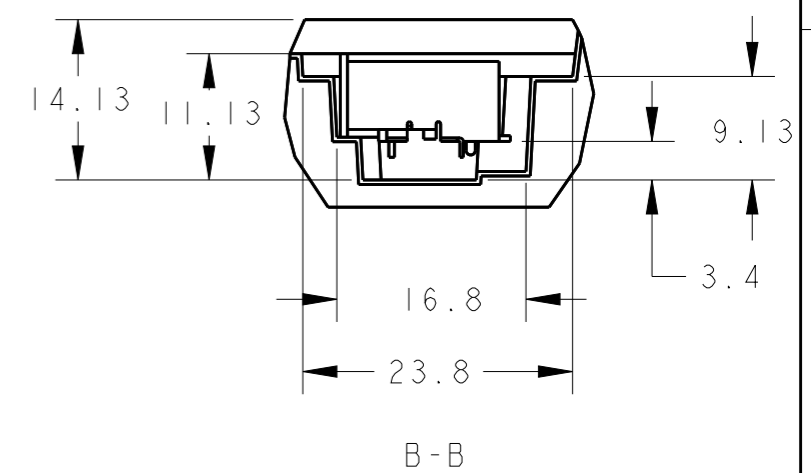
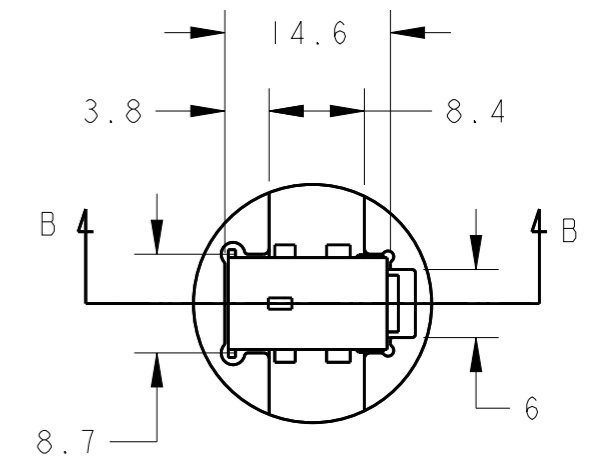
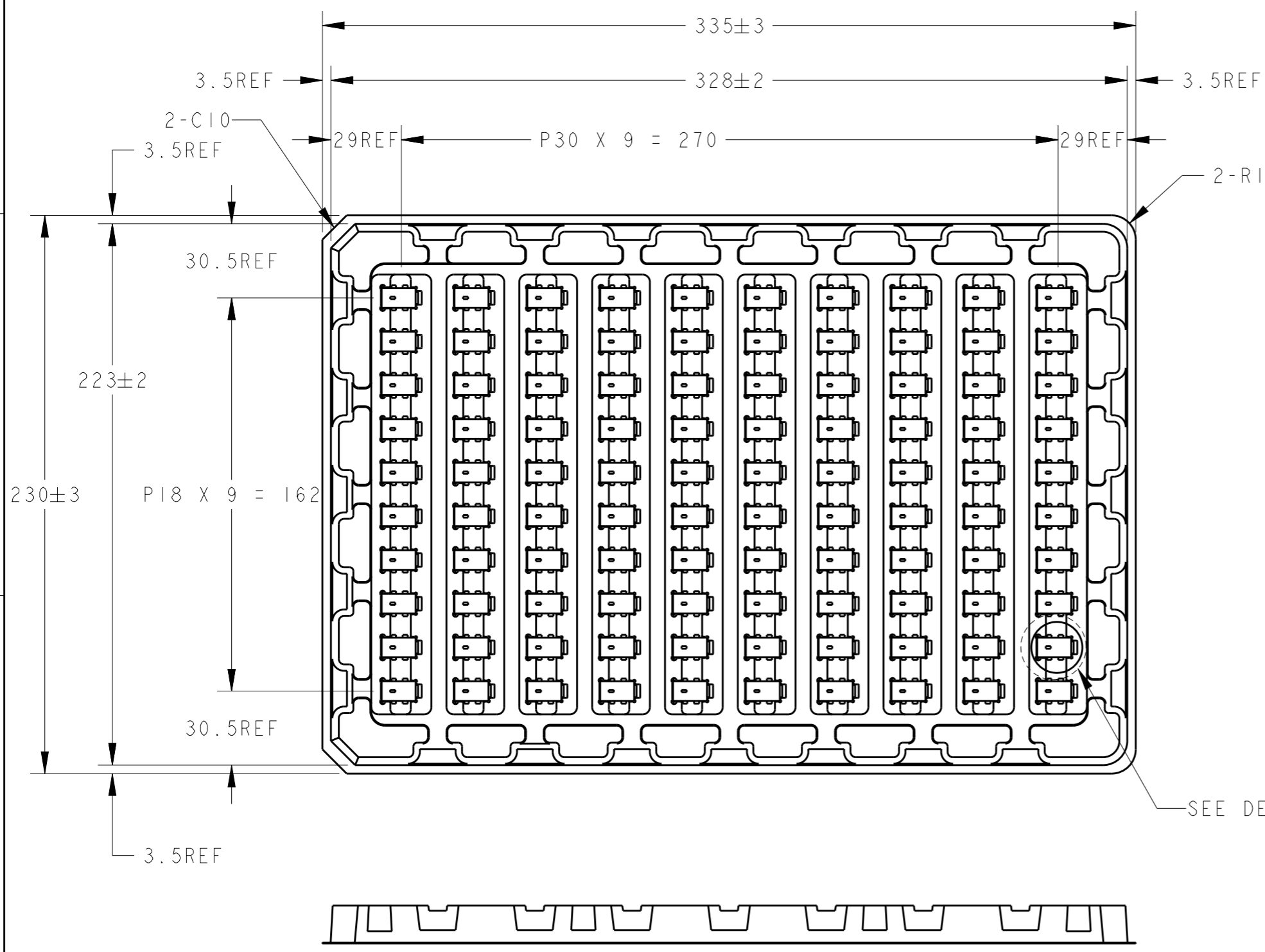
REVISIONS					
P	LTR	DESCRIPTION	DATE	DWN	APVD
-	-	SEE SHEET 1	-	-	-

D

C

B

A



- 4. TRAY MATERIAL : POLYSTYRENE
- 5. PRODUCT QUANTITY: 100/1TRAY
- 6. MOISTURE SENSITIVE LEVEL: 5

THIS DRAWING IS A CONTROLLED DOCUMENT.	
DIMENSIONS: mm	TOLERANCES UNLESS OTHERWISE SPECIFIED: ±0.5
	0 PLC ±
	1 PLC ±
	2 PLC ±
	3 PLC ±
	4 PLC ±
	ANGLES ±
MATERIAL 4	FINISH

DWN	SEE SHEET 1
CHK	SEE SHEET 1
APVD	SEE SHEET 1
PRODUCT SPEC	SEE SHEET 1
APPLICATION SPEC	-
WEIGHT	-
CUSTOMER DRAWING	

TE Connectivity		NAME	
		INDUSTRIAL MINI I/O CONN. 1.27MM PITCH 8P HDR ASSY D-SHAPE TYPE 2	
SIZE	CAGE CODE	DRAWING NO	RESTRICTED TO
A3	-	C-1981386	
SCALE 4:1		SHEET 2 OF 2	REV B

单击下面可查看定价，库存，交付和生命周期等信息

[>>TE Connectivity\(泰科\)](#)