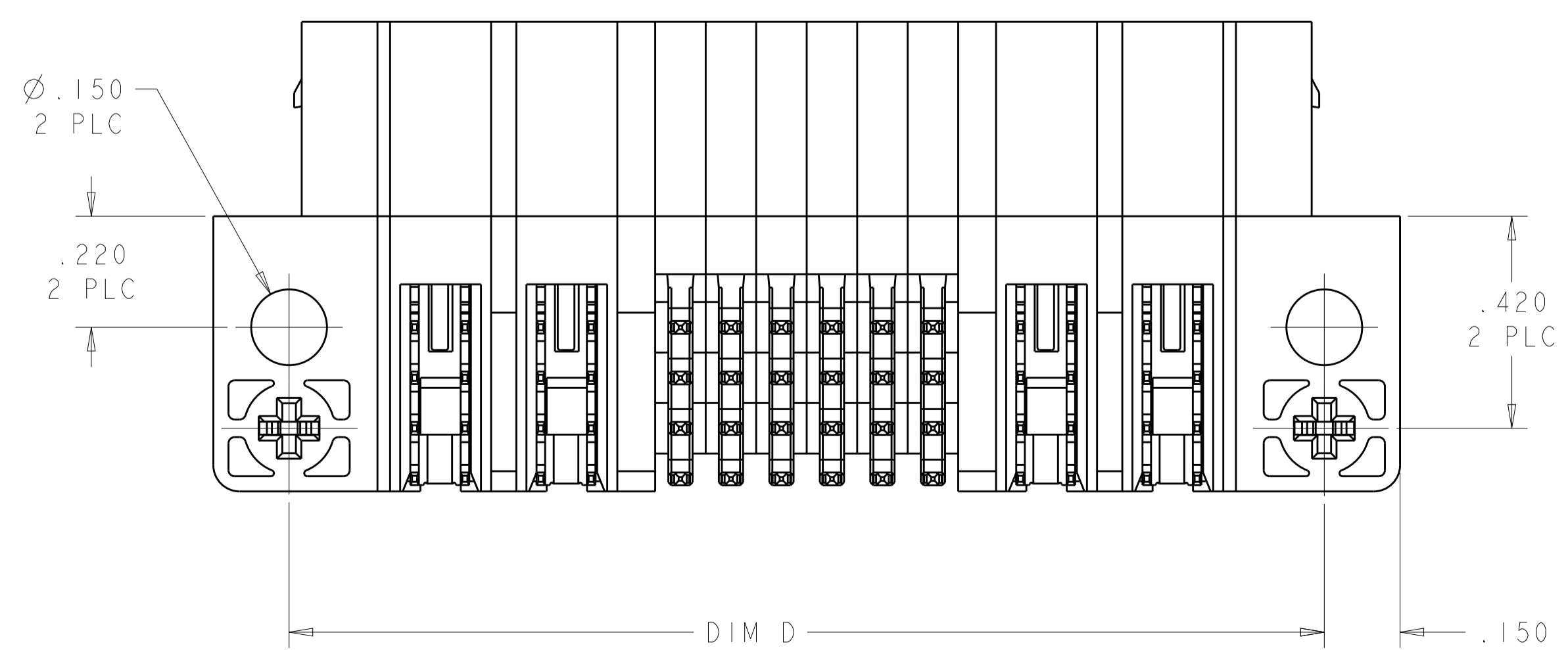
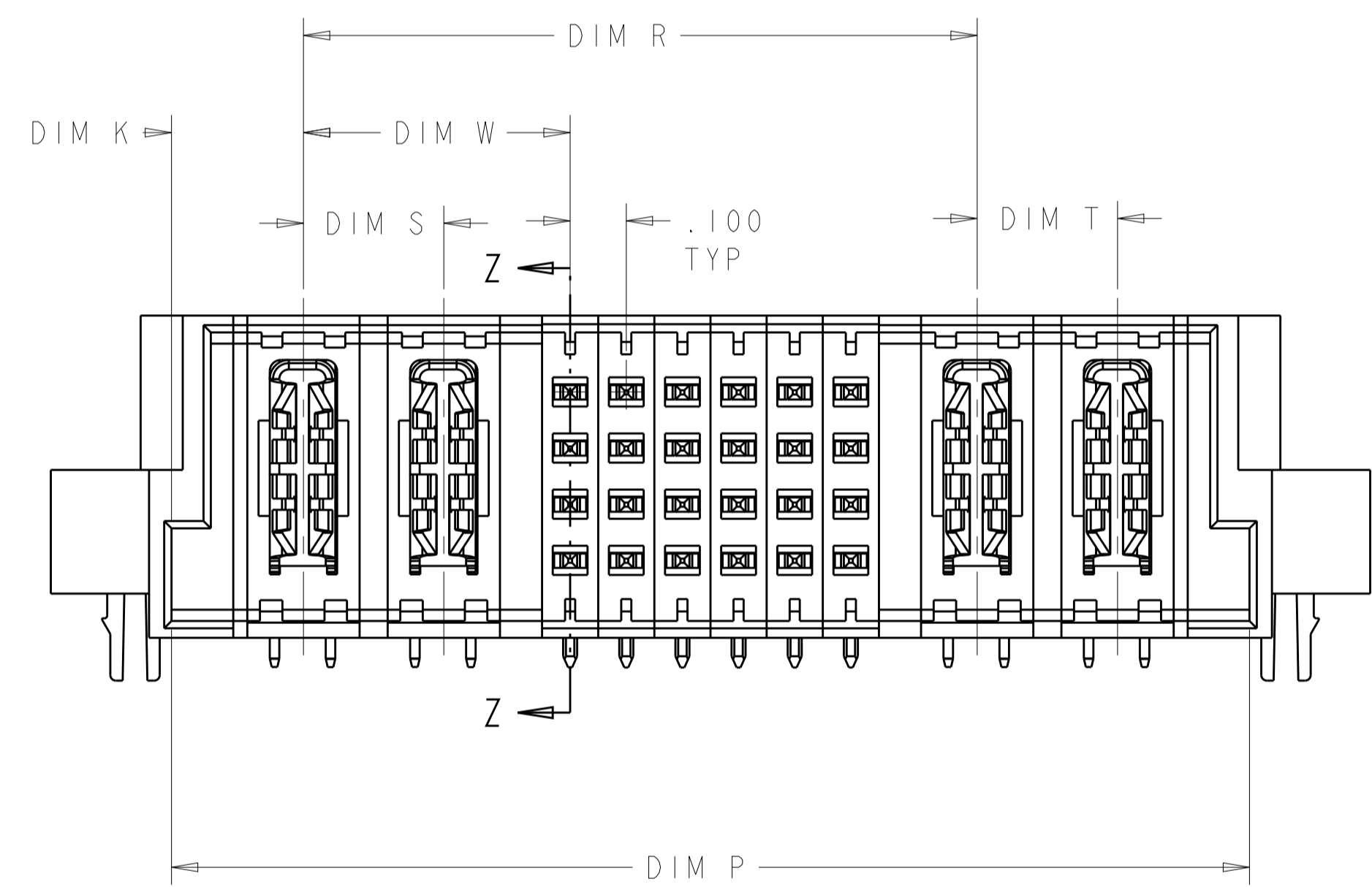
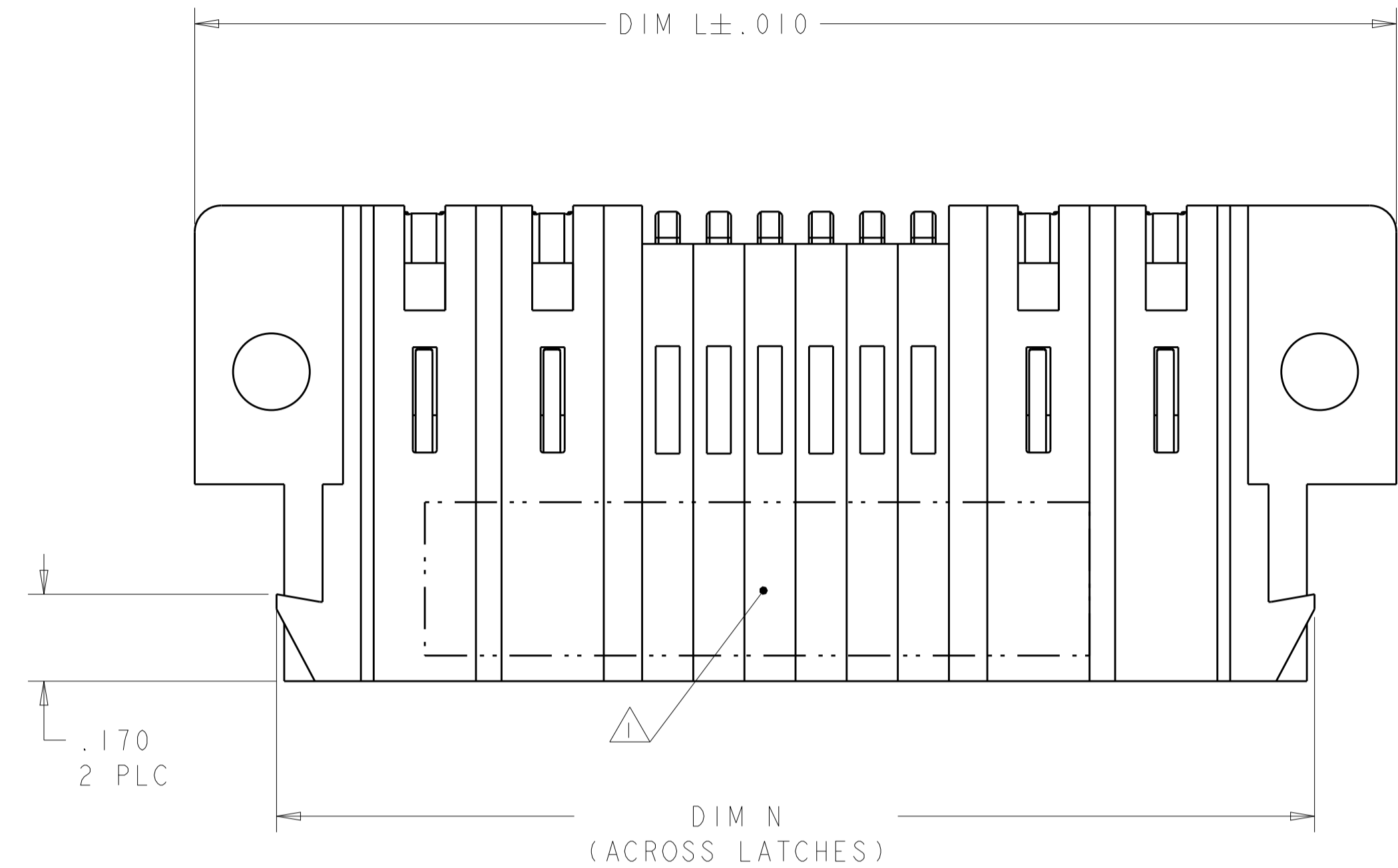
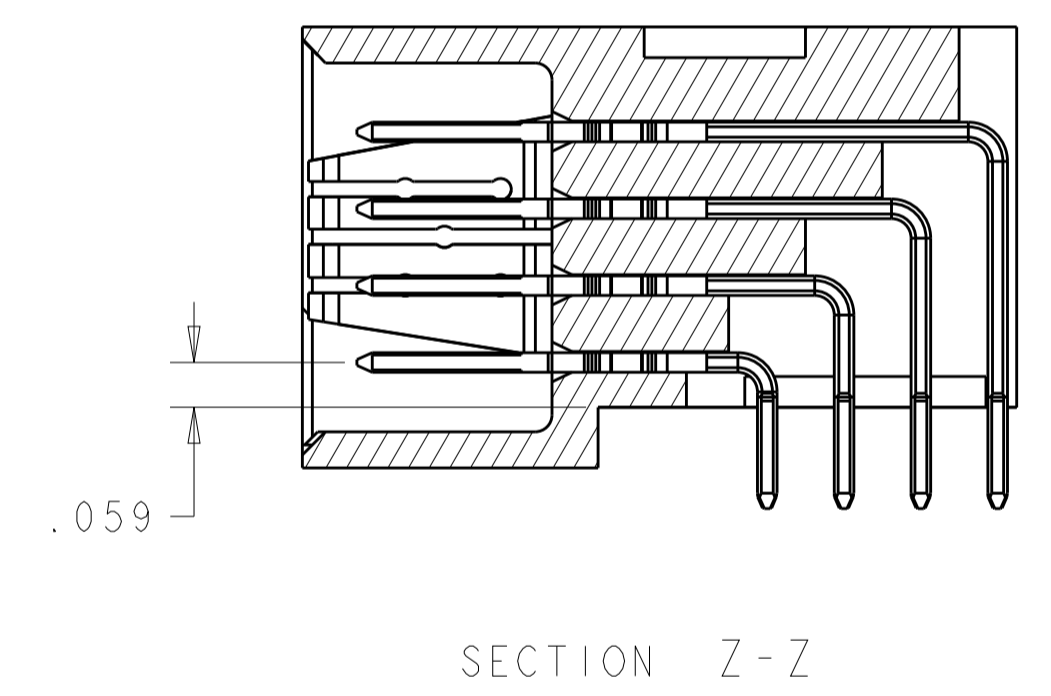
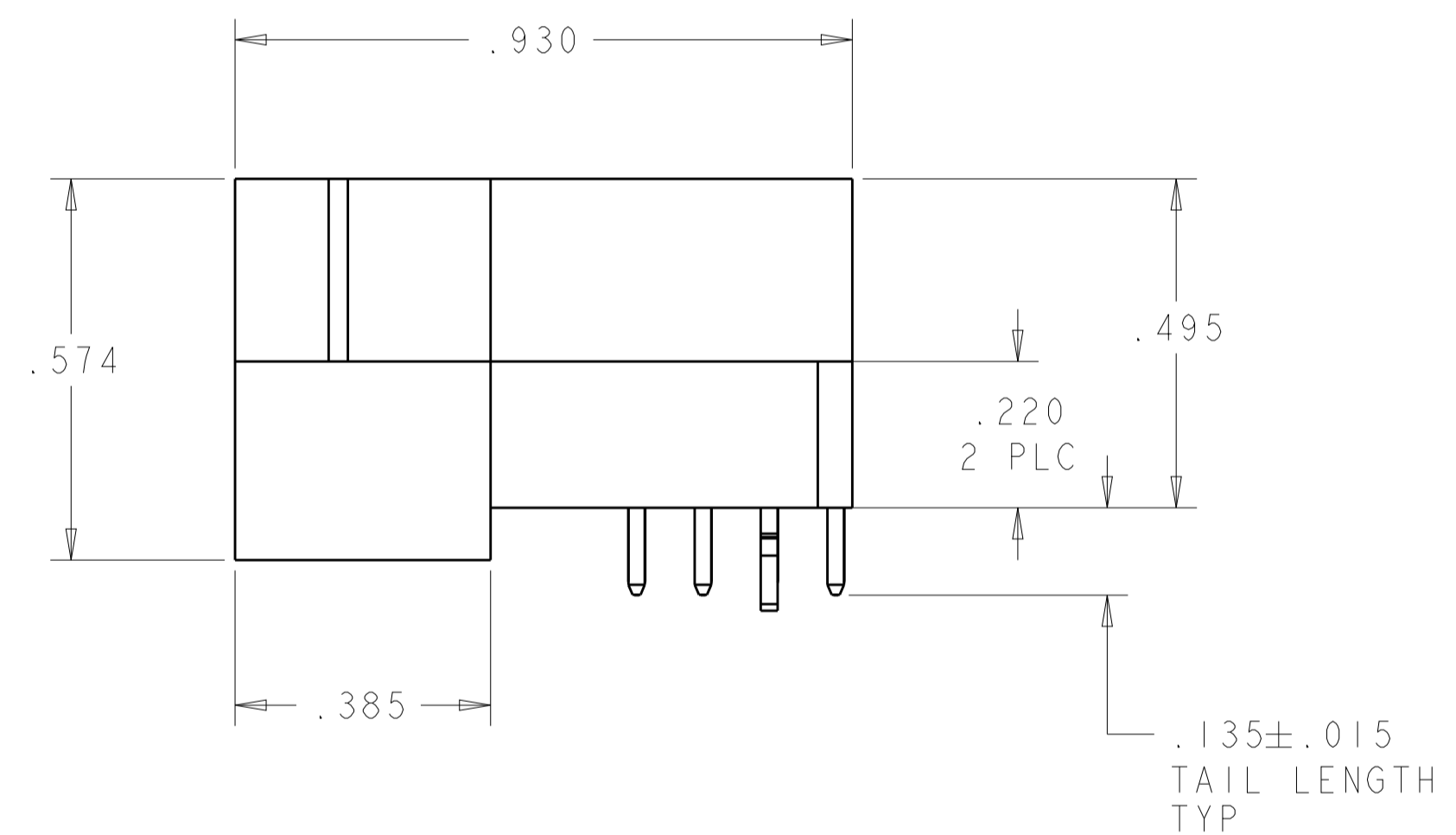


LOC		DIST		REVISIONS			
GP	00	P	LTN	DESCRIPTION	DATE	DMN	APVD
		D4		ADD NEW PART 1-4	12SEP2013	CZ	SZ



- 1 "AMP" PART NUMBER AND DATE CODE TO BE MARKED IN AREA SHOWN. PARTS UNDER 2.500 LONG MAY BE MARKED ON BOTH SIDES.
- 2 MATERIAL: HOUSING - GLASS FILLED HIGH TEMP THERMO PLASTIC, UL 94 V-0
 SIGNAL CONTACT - COPPER ALLOY
 POWER CONTACT - HIGH CONDUCTIVITY COPPER ALLOY.
- 3 CONTACT PLATING: NOBLE METAL PLATING ON CONTACT FUNCTIONAL AREA OF POWER AND SIGNAL CONTACTS
- 4 MECHANICAL CONNECTOR KEEP OUT ZONE. WHEN PLACING CONNECTORS END-TO-END, ALLOW ADDITIONAL 0.1 CLEARANCE BETWEEN CONNECTORS FOR LATCH ACTIVATION.
- 5 DATUM AND BASIC DIMENSIONS ESTABLISHED BY CUSTOMER.
- 6 PCB - ALL HOLE DIAMETERS ARE FINISHED HOLE SIZES.
- 7 PCB - .0453±.0010 DRILLED HOLES PLATED WITH .0003 MIN Sn OVER .001 TO .003 Cu PLATING TO ACHIEVE A .040 DIA HOLE.
- 8 NOT RELEASED FOR PRODUCTION.



D4	DIM P	DIM N	DIM D	DIM R	DIM W	DIM T	DIM S	DIM L	DIM K	DESCRIPTION	PART NUMBER
	1.420	1.530	1.550	.950	.225	-	-	1.850	.235	IP + 24S + IP	1-6450128-4
	.920	1.030	1.050	.500	.200	-	-	1.350	.210	IHDP + 8S + IHDP	1-6450128-3
	1.120	1.230	1.250	.700	.200	-	-	1.550	.210	IP + 16S + IP	1-6450128-2
	2.970	3.080	3.100	1.800	.850	.300	.300	3.400	.285	3ACP + 32S + 3ACP	1-6450128-1
	2.770	2.880	2.900	1.600	.850	.300	.300	3.200	.285	3ACP + 24S + 3ACP	1-6450128-0
	1.520	1.630	1.650	-	.925	-	.250	1.950	.235	4P + 12S + 0P	6450128-9
	3.920	4.030	4.050	2.200	1.475	.250	.250	4.350	.235	6P + 24S + 6P	6450128-8
	2.920	3.030	3.050	1.700	.975	.250	.250	3.350	.235	4P + 24S + 4P	6450128-5
	1.920	2.030	2.050	1.200	.475	.250	.250	2.350	.235	2P + 24S + 2P	6450128-2
	1.420	1.530	1.550	.950	.225	-	-	1.850	.235	IP + 24S + IP	6450128-1

THIS DRAWING IS A CONTROLLED DOCUMENT.

DIMENSIONS: INCHES

TOLERANCES UNLESS OTHERWISE SPECIFIED:

0 PLC	±.005
1 PLC	±.01
2 PLC	±.015
3 PLC	±.02
4 PLC	±.025
ANGLES	±.0020

MATERIAL: 2 FINISH: 3

THIS DRAWING IS A CONTROLLED DOCUMENT. DWN: R.GRZYBOWSKI TOFEB05 CHK: M.PERCHEKKE TOFEB05 APVD: M.PERCHEKKE NAME: RIGHT ANGLE HEADER ASSEMBLY W/END LATCHES MULTI-BEAM XL PRODUCT SPEC: 108-1973 APPLICATION SPEC: 114-13038 WEIGHT: - SCALE: 4:1 SHEET 1 OF 5 REV: D4

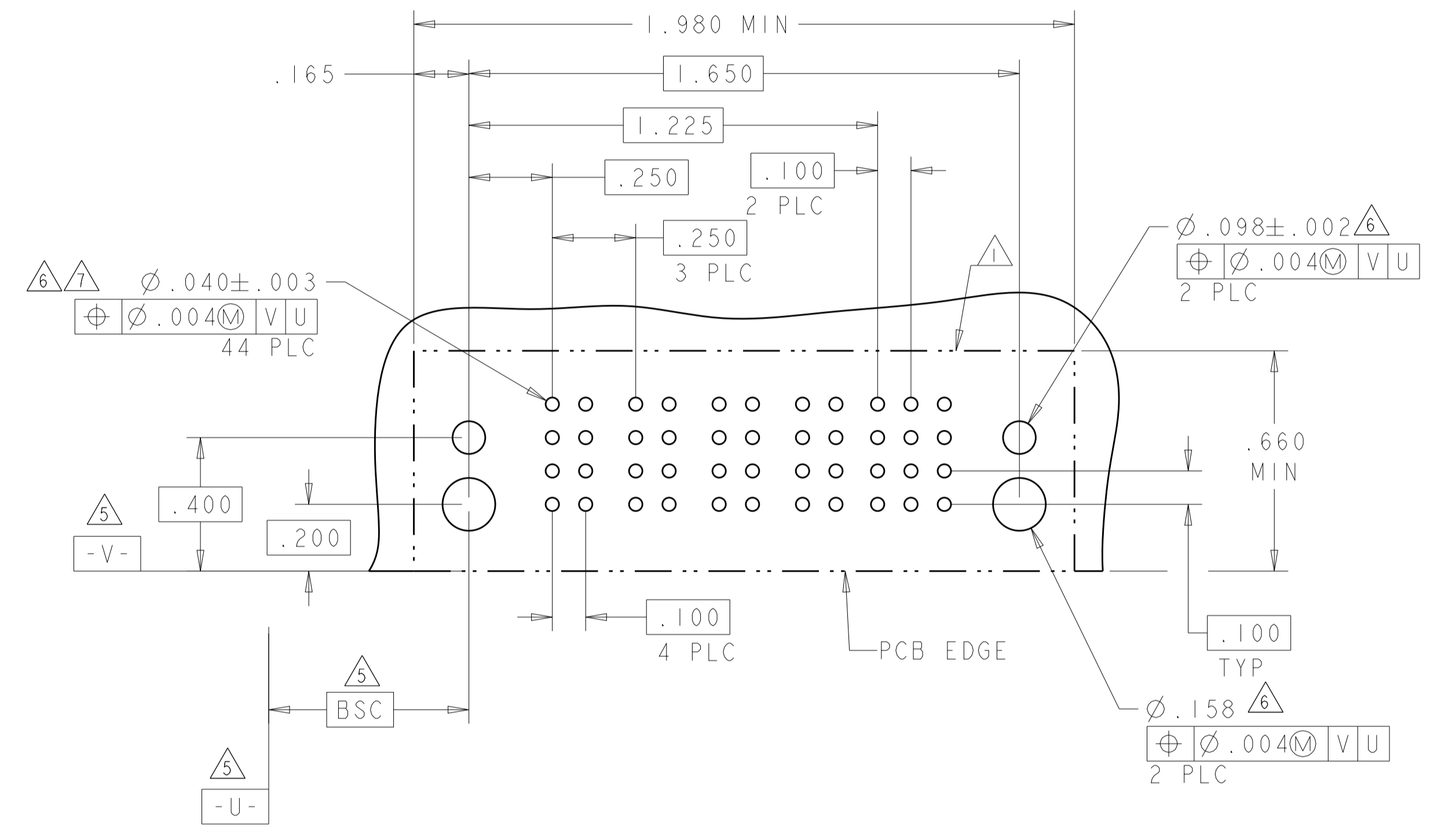
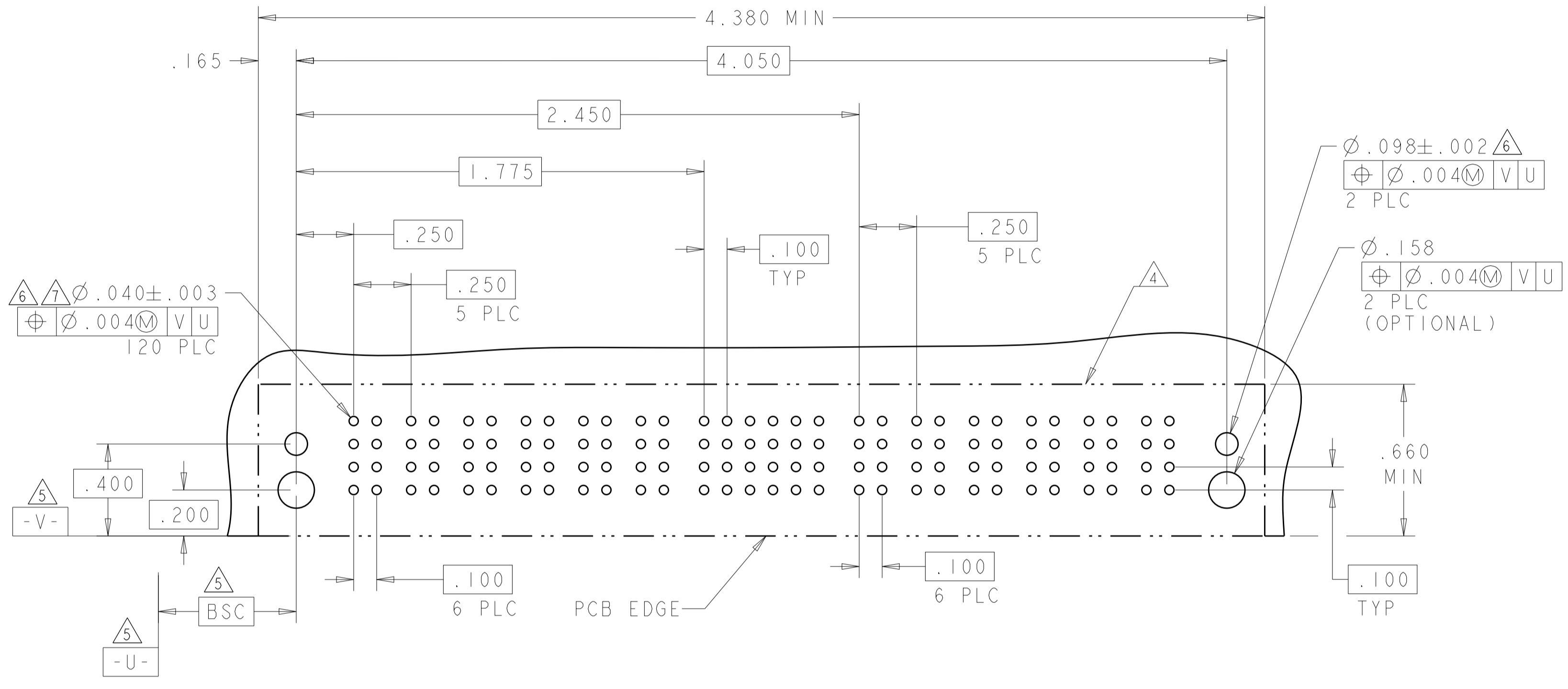
STE TE Connectivity

CUSTOMER DRAWING

LOC	DIST	REVISIONS				
GP	00	P	LTN	DATE	DWN	APVD
		-	SEE SHEET 1			

PART NUMBER	ROWS	POWER						SIGNAL						POWER					
		P1	P2	P3	P4	P5	P6	1	2	3	4	5	6	P7	P8	P9	P10	P11	P12
6450128-8	D C B A	PM	PM	PM	PM	PM	E	E	E	E	E	J	PM	PM	PM	PM	PM	PM	
							F	F	F	F	F	F							
							G	G	G	G	G	G							
							S	H	H	H	H	H							
6P + 24S + 6P		HD						HD											

PART NUMBER	ROWS	POWER				SIGNAL			
		P1	P2	P3	P4	1	2	3	
6450128-9	D C B A	PM	PM	PM	PM	J	J	J	HD
						K	K	K	
						N	N	N	
						S	S	S	
4P + 12S + 0P		HD							

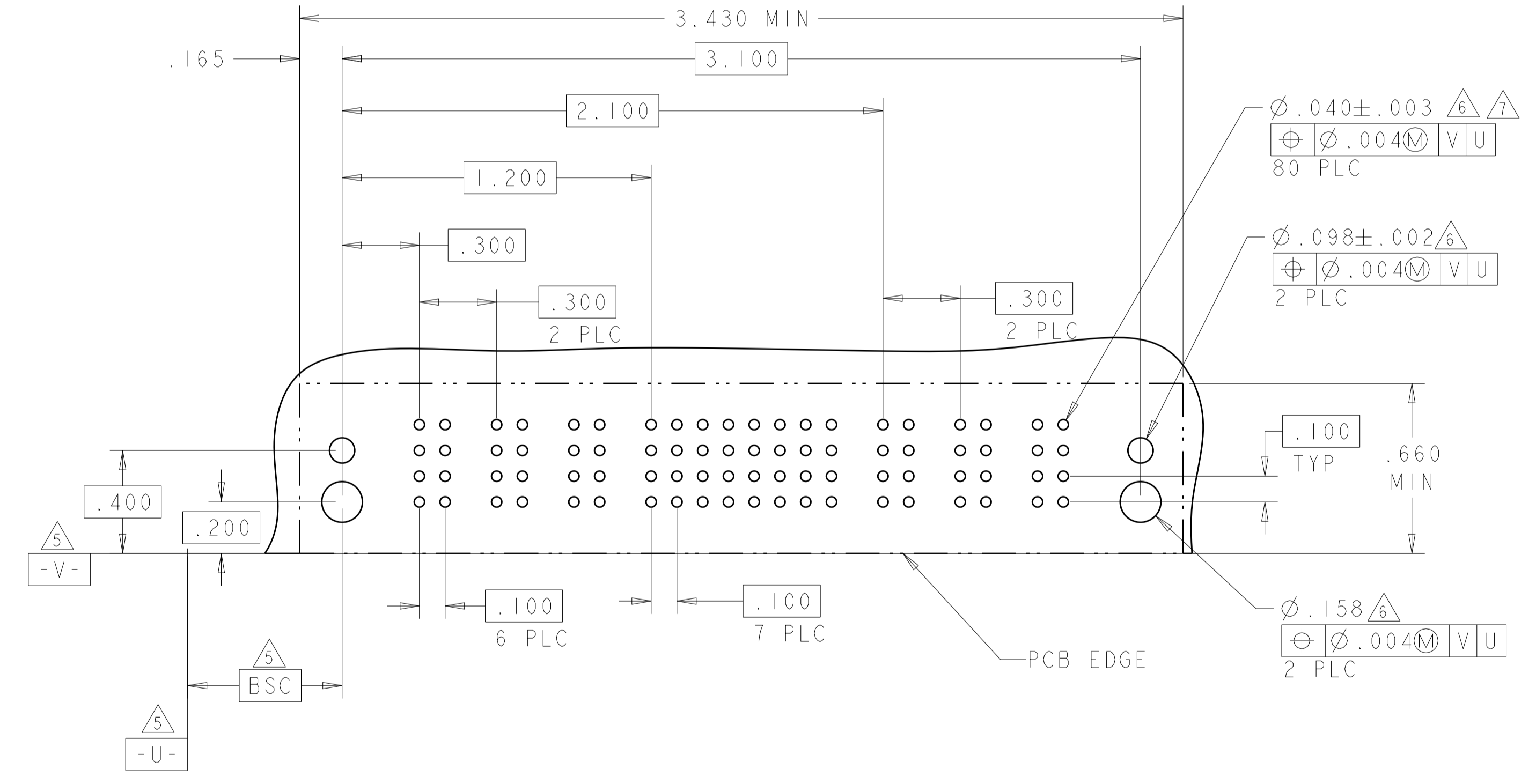
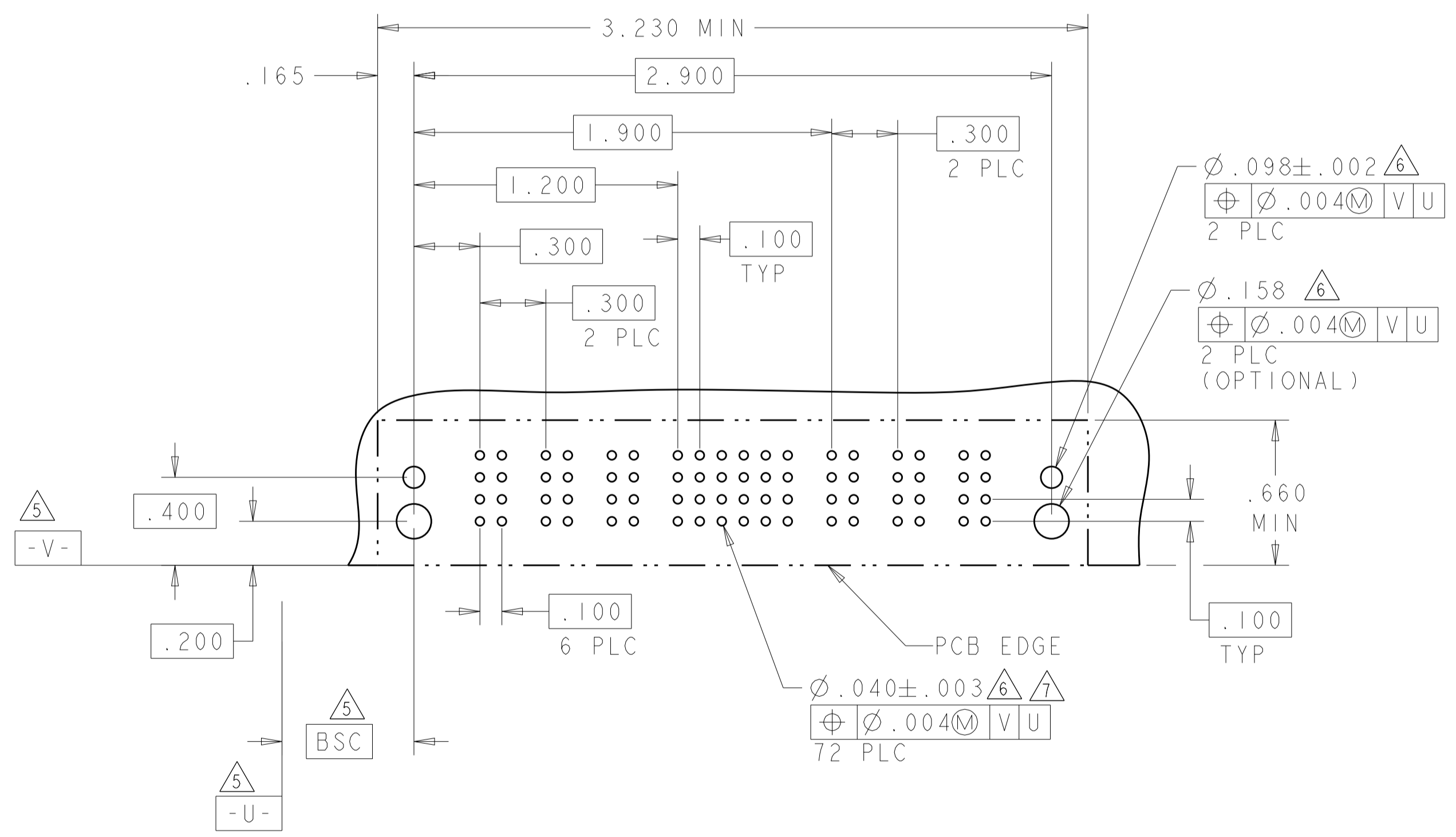


THIS DRAWING IS A CONTROLLED DOCUMENT.		DWN: R. GRZYBOWSKI CHK: M. PERCHERKE APVD: M. PERCHERKE	10FEB05 10FEB05	TE Connectivity RIGHT ANGLE HEADER ASSEMBLY W/END LATCHES MULTI-BEAM XL
DIMENSIONS: INCHES	TOLERANCES UNLESS OTHERWISE SPECIFIED: 0 PLC ±. 1 PLC ±.01 2 PLC ±.01 3 PLC ±.005 4 PLC ±.002 ANGLES ±.020	PRODUCT SPEC: 108-1973 APPLICATION SPEC: 114-13038	RESTRICTED TO: -	
MATERIAL: -	FINISH: -	WEIGHT: -	SIZE: A1 CAGE CODE: 100779 DRAWING NO: C=6450128	SCALE: 4:1 SHEET: 3 OF 5 REV: D4
CUSTOMER DRAWING				

LOC	DIST	REVISIONS			
P	LTN	DESCRIPTION	DATE	DMN	APVD
-	-	SEE SHEET 1	-	-	-

PART NUMBER	ROWS	POWER			SIGNAL						POWER		
		P1	P2	P3	1	2	3	4	5	6	P4	P5	P6
I-6450128-0	D	PM	PM	PM	J	J	J	J	J	J	PM	PM	PM
	C				K	K	K	K	K	K			
	B				N	N	N	N	N	N			
	A				S	S	S	S	S	S			
		3ACP + 24S + 3ACP		HD		HD							

PART NUMBER	ROWS	POWER			SIGNAL								POWER		
		P1	P2	P3	1	2	3	4	5	6	7	8	P4	P5	P6
I-6450128-1	D	PM	PM	PM	J	J	J	J	J	J	J	J	PM	PM	PM
	C				K	K	K	K	K	K	K				
	B				N	N	N	N	N	N	N				
	A				S	S	S	S	S	S	S				
		3ACP + 32S + 3ACP		HD		HD									



THIS DRAWING IS A CONTROLLED DOCUMENT.

DIMENSIONS: INCHES	TOLERANCES UNLESS OTHERWISE SPECIFIED: 0 PLC ±. 1 PLC ±.01 2 PLC ±.01 3 PLC ±.005 4 PLC ±.0020 ANGLES ±.2°	FINISH	DMN: R. GRZYBOWSKI CHK: M. PERCHERKE APVD: M. PERCHERKE	TOFEB05 TOFEB05	 TE Connectivity	NAME: RIGHT ANGLE HEADER ASSEMBLY W/END LATCHES MULTI-BEAM XL		
MATERIAL			PRODUCT SPEC: 108-1973	APPLICATION SPEC: 114-13038		SIZE: A1	CAGE CODE: 00779	DRAWING NO: 6450128
			CUSTOMER DRAWING		SCALE: 4:1	SHEET: 4	OF: 5	REV: D4

单击下面可查看定价，库存，交付和生命周期等信息

[>>TE Connectivity\(泰科\)](#)