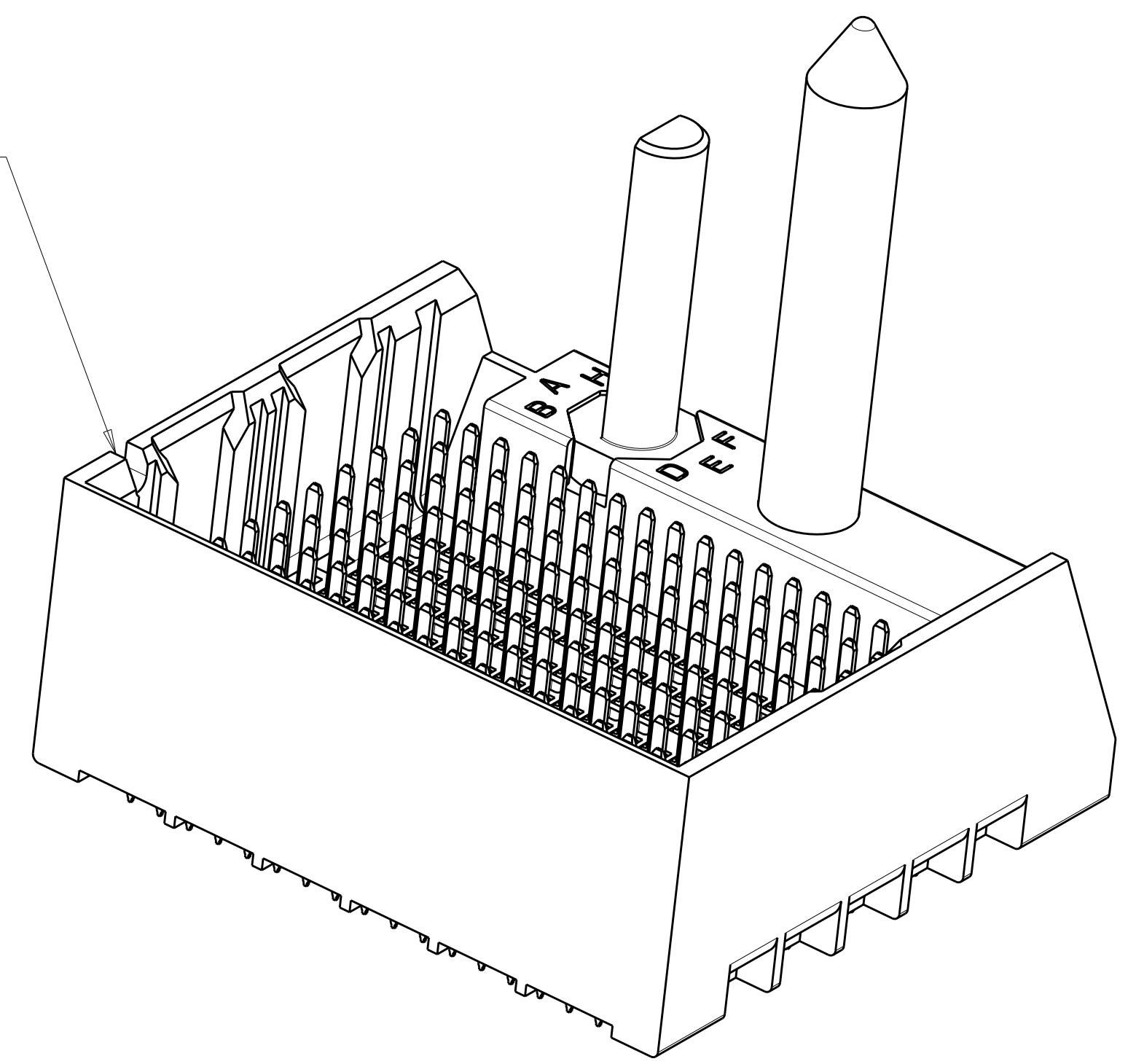
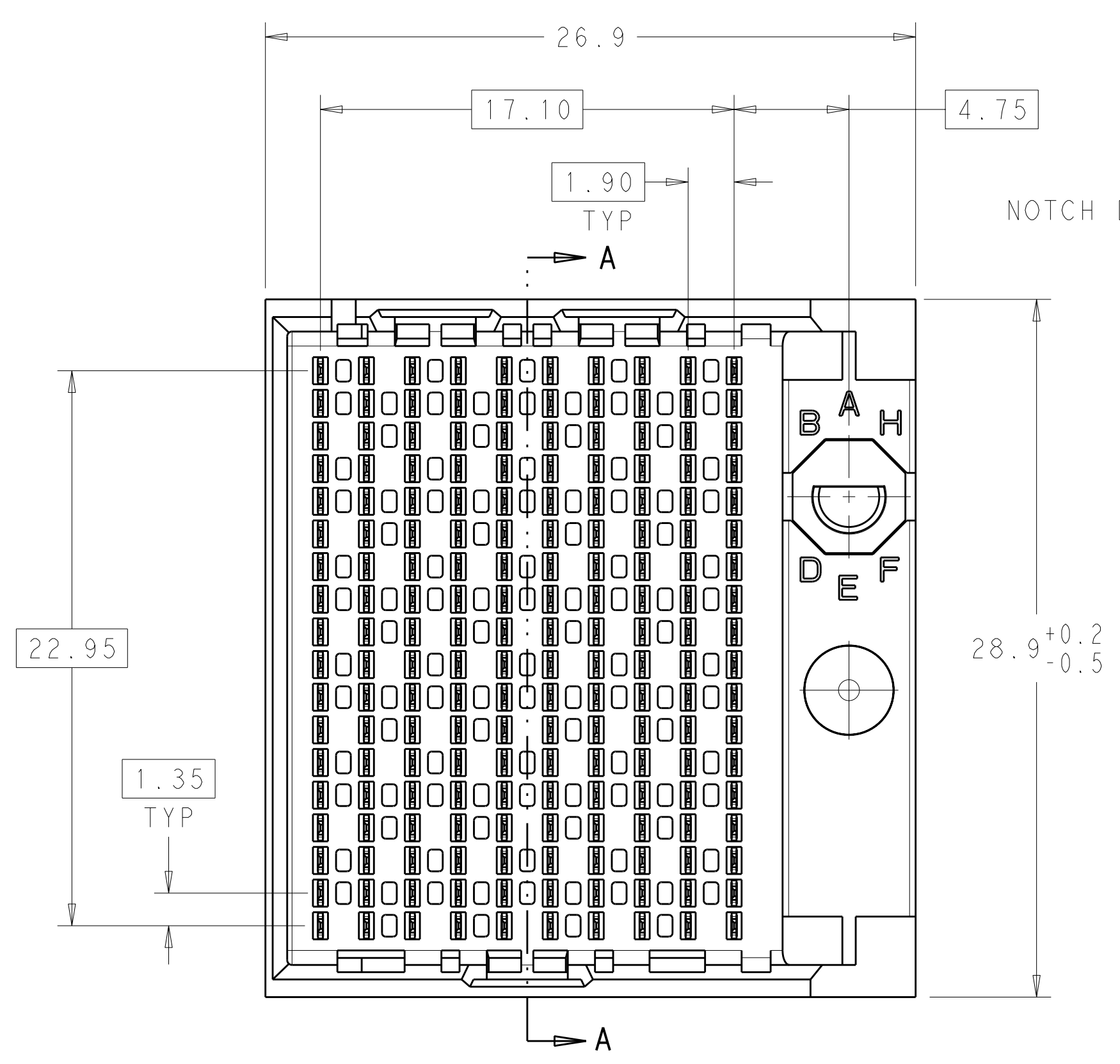
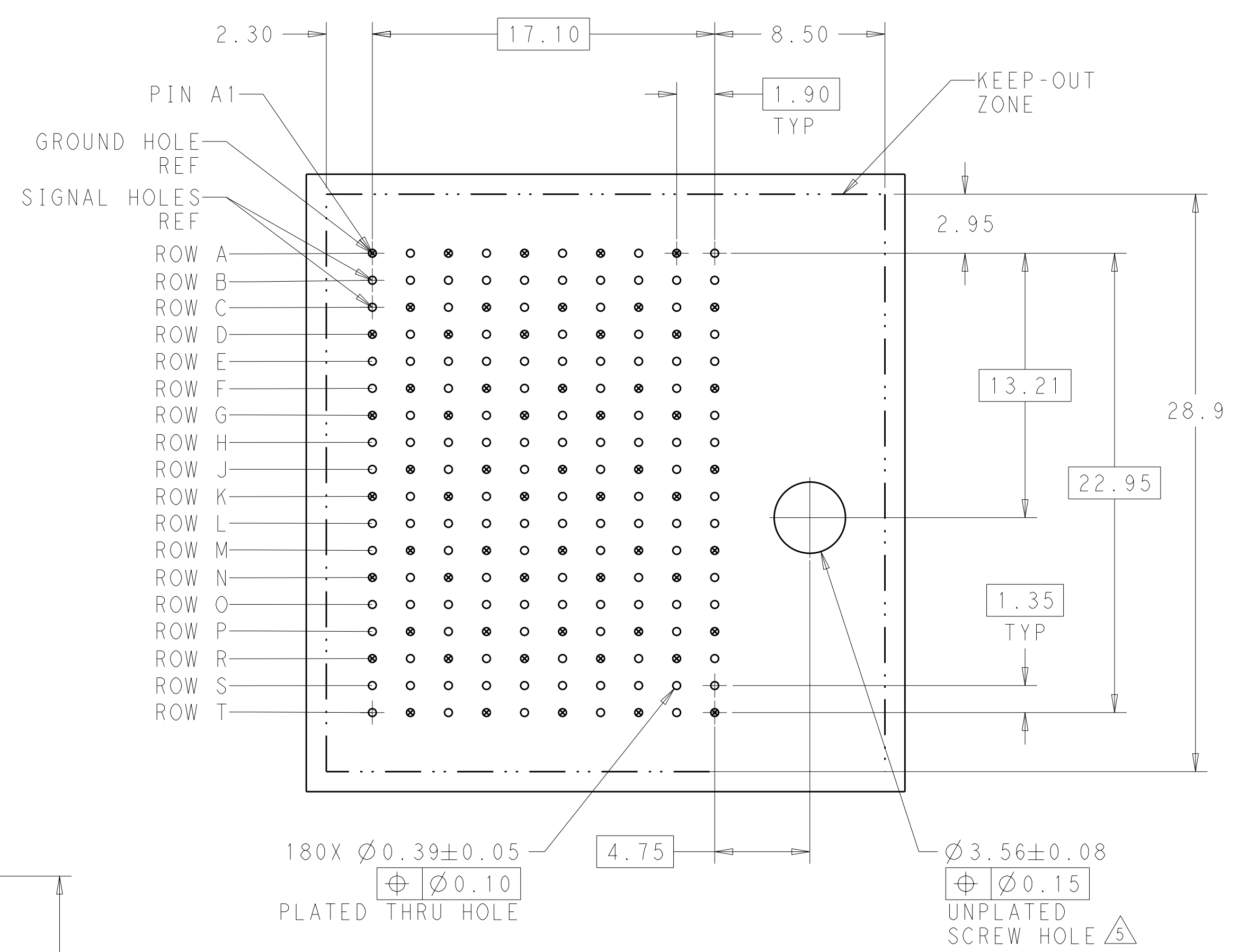


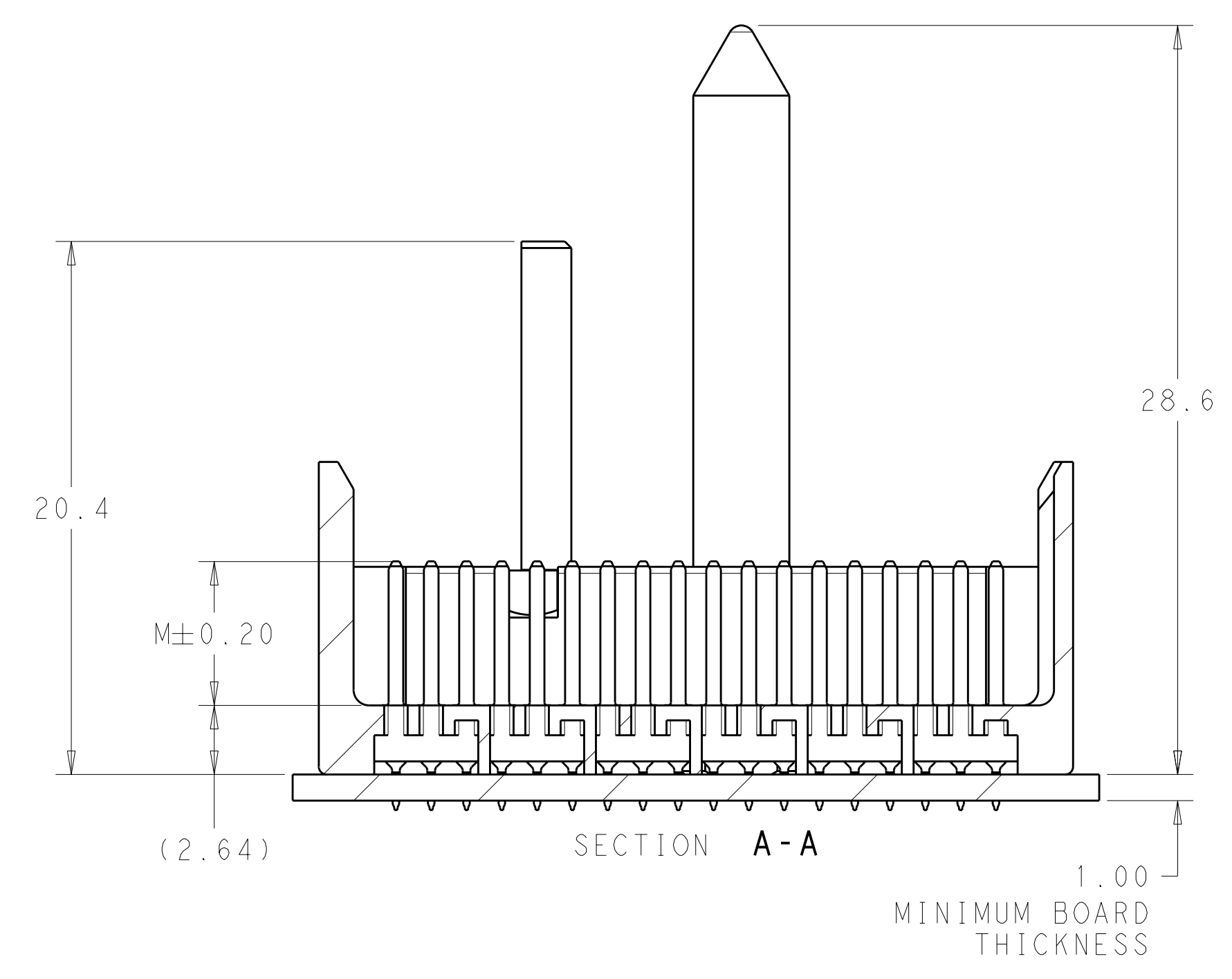
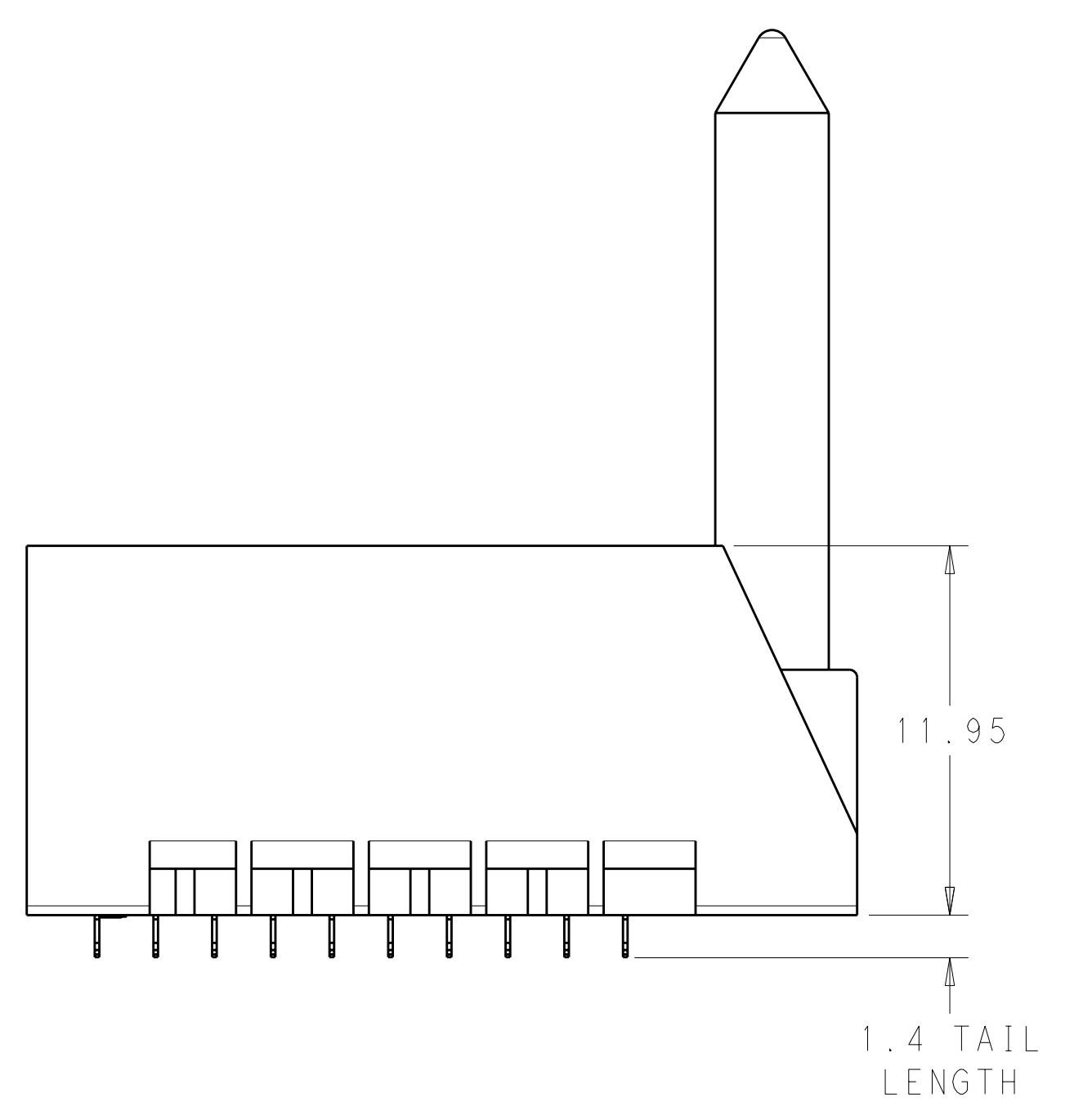
LOC	DIST	REV	DATE	BY	APPD
AD	00	B	04JAN2012	KH	DY



- 1 MATERIAL:
HOUSING: LCP, GLASS FILLED, UL94V-0.
TERMINALS: HIGH PERFORMANCE COPPER ALLOY.
- 2 FINISH:
30μ" MIN GOLD IN CONTACT AREA. SELECTIVE TIN ON PCB TAILS, NICKEL OVERALL.
- 3 FINISH:
30μ" MIN GOLD IN CONTACT AREA. SELECTIVE TIN-LEAD ON PCB TAILS, NICKEL OVERALL.
- 4. SCREWS PACKAGED IN END OF PACKAGING TUBE.
- 5 FOR GROUNDED GUIDE PIN USE Ø3.56±0.08 PTH, Ø3.66 DRILL, AND Ø6.5 PAD.
- 6. KEYING PIN SHOWN IN POSITION A. SEE KEYING CHART ON SHEET 2 FOR OTHER POSITIONS.



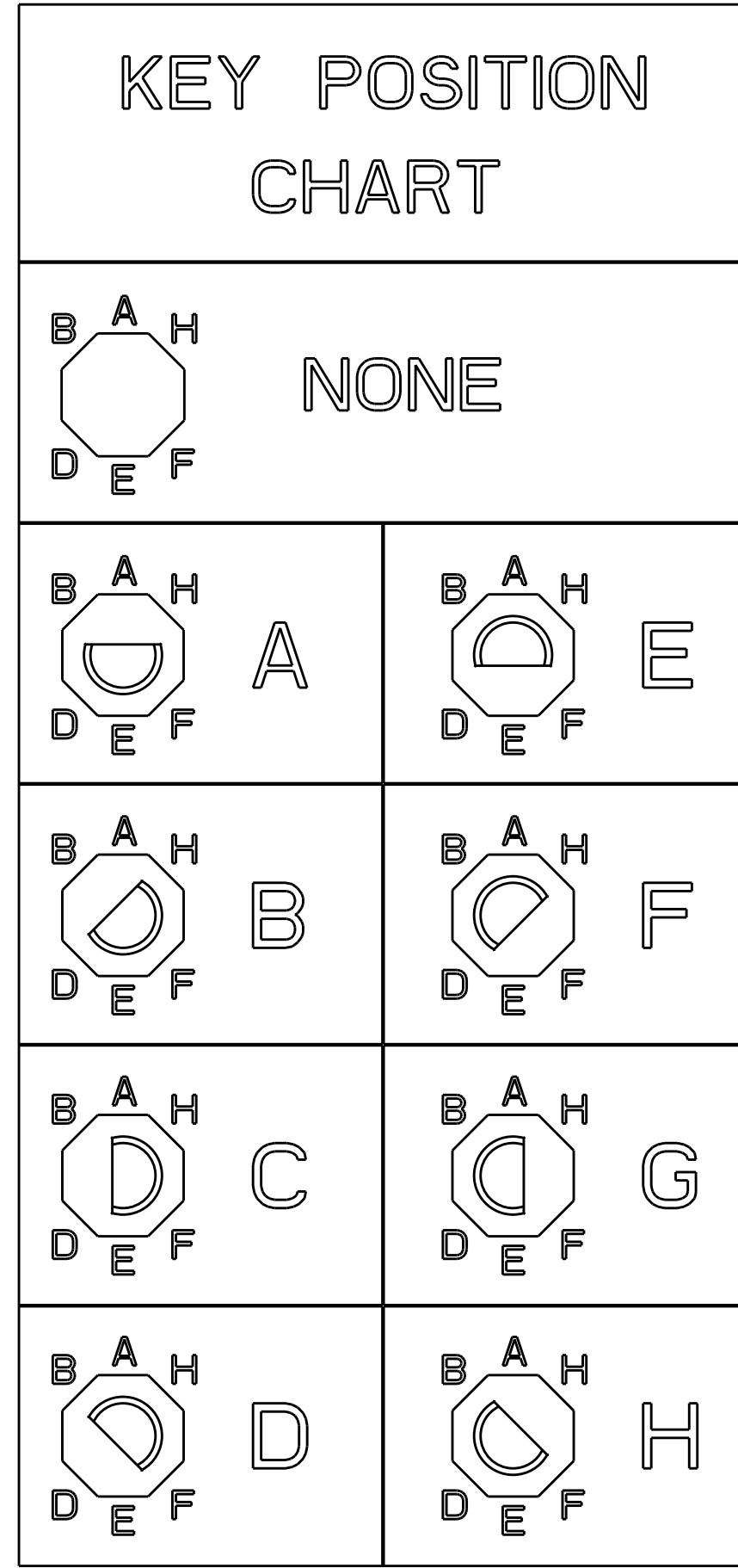
RIGHT GUIDED BACKPLANE HOLE PATTERN (CONNECTOR SIDE)



THIS DRAWING IS A CONTROLLED DOCUMENT.		OWN J. K. SHOBER 25JAN2011	TE Connectivity
DIMENSIONS: mm		CHK J. EBY 25JAN2011	
TOLERANCES UNLESS OTHERWISE SPECIFIED:		APVD J. EBY 25JAN2011	NAME: IMPACT, 6 PAIR, 10 COLUMN, HEADER RIGHT GUIDED, LEFT END WALL SIGNAL MODULE, 0.39 PTH
9 PLC ±		PRODUCT SPEC	
1 PLC ±0.25		APPLICATION SPEC	SIZE CAGE CODE DRAWING NO. RESTRICTED TO
3 PLC ±0.13		WEIGHT	A100779C=2007879
5 PLC ±		CUSTOMER DRAWING	SCALE 5:1 SHEET 1 OF 2 REV B
4 PLC ±			
ANGLES ±			
FINISH SEE TABLE			

LOC		DIST		REVISIONS			
AD	00	P	LTB	DESCRIPTION	DATE	DWN	APVD
		-	-	SEE SHEET 1	-	-	-

3	H	5.5	8-2007879-6
3	H	4.9	8-2007879-5
3	H	4.5	8-2007879-4
2	H	5.5	8-2007879-3
2	H	4.9	8-2007879-2
2	H	4.5	8-2007879-1
3	G	5.5	7-2007879-6
3	G	4.9	7-2007879-5
3	G	4.5	7-2007879-4
2	G	5.5	7-2007879-3
2	G	4.9	7-2007879-2
2	G	4.5	7-2007879-1
3	F	5.5	6-2007879-6
3	F	4.9	6-2007879-5
3	F	4.5	6-2007879-4
2	F	5.5	6-2007879-3
2	F	4.9	6-2007879-2
2	F	4.5	6-2007879-1
3	E	5.5	5-2007879-6
3	E	4.9	5-2007879-5
3	E	4.5	5-2007879-4
2	E	5.5	5-2007879-3
2	E	4.9	5-2007879-2
2	E	4.5	5-2007879-1
3	D	5.5	4-2007879-6
3	D	4.9	4-2007879-5
3	D	4.5	4-2007879-4
2	D	5.5	4-2007879-3
2	D	4.9	4-2007879-2
2	D	4.5	4-2007879-1
3	C	5.5	3-2007879-6
3	C	4.9	3-2007879-5
3	C	4.5	3-2007879-4
2	C	5.5	3-2007879-3
2	C	4.9	3-2007879-2
2	C	4.5	3-2007879-1
3	B	5.5	2-2007879-6
3	B	4.9	2-2007879-5
3	B	4.5	2-2007879-4
2	B	5.5	2-2007879-3
2	B	4.9	2-2007879-2
2	B	4.5	2-2007879-1
3	A	5.5	1-2007879-6
3	A	4.9	1-2007879-5
3	A	4.5	1-2007879-4
2	A	5.5	1-2007879-3
2	A	4.9	1-2007879-2
2	A	4.5	1-2007879-1
3	-	5.5	2007879-6
3	-	4.9	2007879-5
3	-	4.5	2007879-4
2	-	5.5	2007879-3
2	-	4.9	2007879-2
2	-	4.5	2007879-1
FINISH	KEY POSITION	DIM M	PART NUMBER



REFER TO WWW.TE.COM
FOR PRODUCT AVAILABILITY

THIS DRAWING IS A CONTROLLED DOCUMENT.		DWN J. K. SHOBER 25JAN2011	STE TE Connectivity
DIMENSIONS: mm		CHK J. EARY 25JAN2011	
TOLERANCES UNLESS OTHERWISE SPECIFIED:		APVD J. EARY 25JAN2011	NAME: IMPACT, 6 PAIR, 10 COLUMN, HEADER RIGHT GUIDED, LEFT END WALL SIGNAL MODULE, 0.39 PTH
9 PLC ± .25		PRODUCT SPEC	
3 PLC ±0.13		APPLICATION SPEC	SIZE CAGE CODE DRAWING NO RESTRICTED TO
5 PLC ±		WEIGHT	A100779C=2007879
4 PLC ±		CUSTOMER DRAWING	SCALE 5:1 SHEET 2 OF 2 REV B
ANGLES ±			
FINISH SEE TABLE			

单击下面可查看定价，库存，交付和生命周期等信息

[>>TE Connectivity\(泰科\)](#)