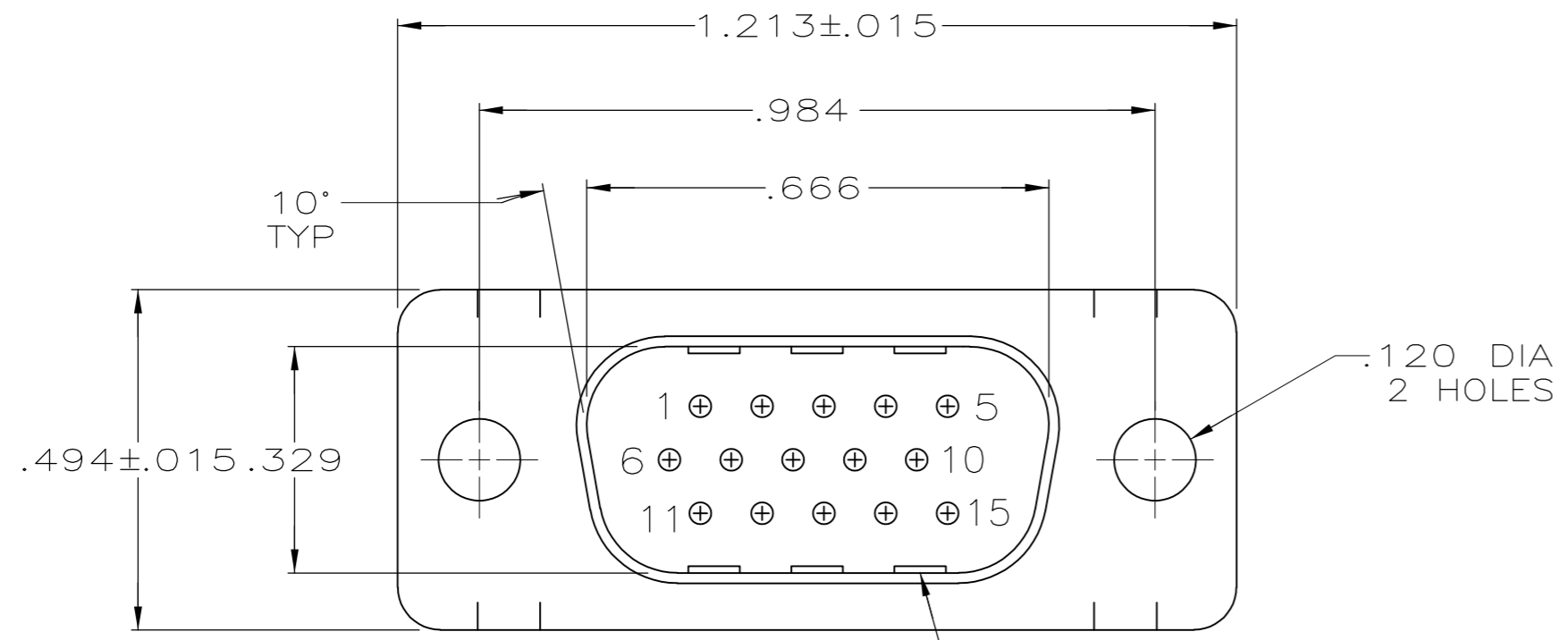
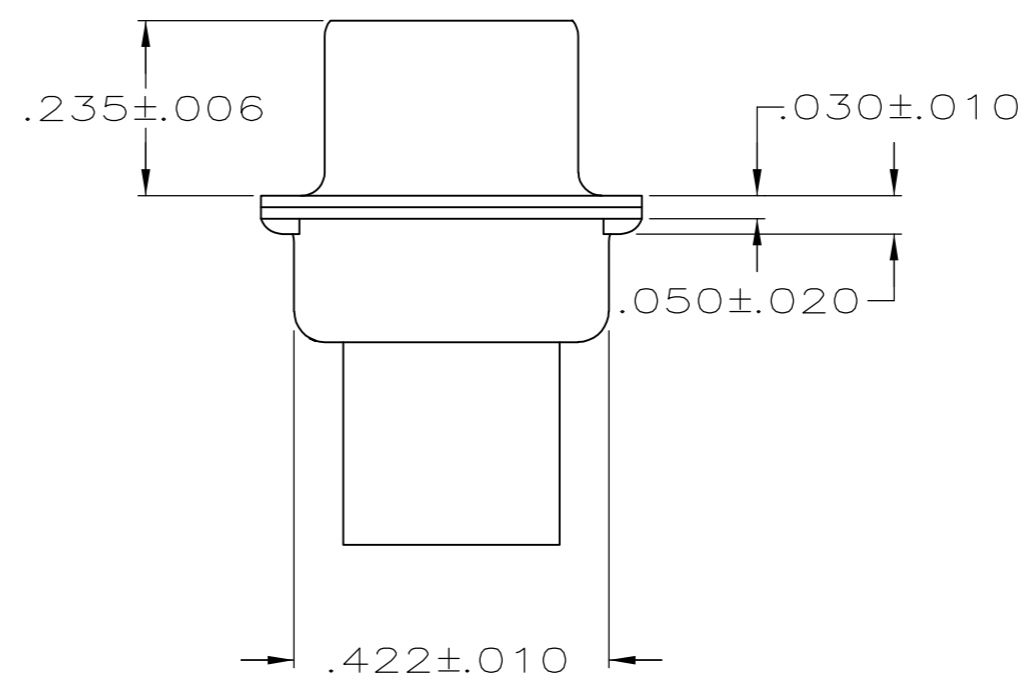
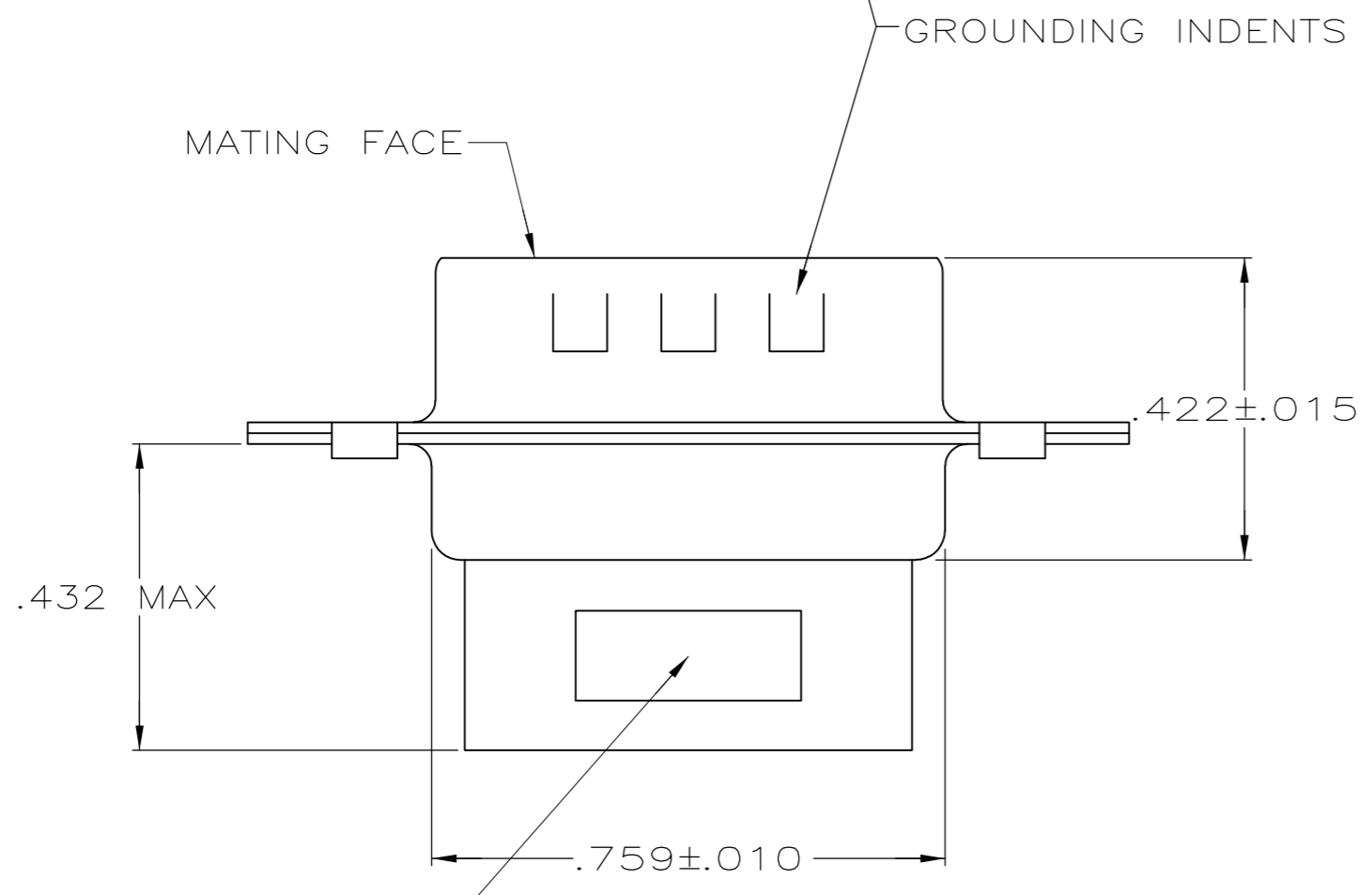


THIS DRAWING IS UNPUBLISHED. RELEASED FOR PUBLICATION  
 © COPYRIGHT - By - ALL RIGHTS RESERVED.

LOC	DIST	REVISIONS			
P	LTR	DESCRIPTION	DATE	DWN	APVD
BD	48	H1	REVISED PER ECO-11-004835	11MAR11	RK HMR



- CONNECTOR ACCEPTS SIZE 22 DF PIN CONTACTS, RETENTION TINES ARE AN INTEGRAL PART OF INSERT.
- △** MATERIAL:  
MOLDED PARTS - FLAME RETARDANT, 94V-0 RATED, GLASS FILLED NYLON, BLACK.  
SHELLS - STEEL PER ASTM A109.
- △** FINISH:  
SHELLS - TIN OR TIN-LEAD PLATED PER MIL-T-10727.
- △** FINISH:  
SHELLS - TIN PLATED PER MIL-T-10727 OVER COPPER PER MIL-C-14550.
- △** 748364-5 IS FOR AMP THAILAND. PART HAS CIRCUIT HOLE #9 BLOCKED.



SUPERSEDED BY 748364-1	STANDARD	<b>△</b> 4	YES	<b>△</b> 748364-5
SUPERSEDED BY 748364-1	SMALL PACK	<b>△</b> 4	YES	748364-4
OBSOLETE	STANDARD	<b>△</b> 3	NO	748364-2
	STANDARD	<b>△</b> 4	YES	748364-1
	PACKAGING TYPE	SHELL FINISH	GROUNDING INDENTS	PART NUMBER

THIS DRAWING IS A CONTROLLED DOCUMENT.

DWN	C.RICHARD	12-3-86
CHK	S.WELDON	12-4-86
APVD	L. BREKOSKY	12-4-86

**STE** TE Connectivity

NAME: PLUG CONNECTOR, SIZE 1, 15 POSITION, AMPLIMITE™ HDP-22

SIZE	CAGE CODE	DRAWING NO	RESTRICTED TO
A2	00779	C=748364	-

CUSTOMER DRAWING SCALE 4:1 SHEET 1 of 1 REV H1

单击下面可查看定价，库存，交付和生命周期等信息

[>>TE Connectivity\(泰科\)](#)