

# BUCHANAN PCB TERMINAL BLOCKS

## Quality in Connectivity

TE Connectivity's BUCHANAN PCB terminal blocks feature various wire termination methods including rising cage screw clamp and Push-in clamp. The design of terminal block connectors consists of one-piece board mount terminal blocks and two-piece plug connectors with mating straight and right angle shrouded headers. Board mount connectors, as well as PCB headers, are stackable end-to-end without loss of centerline spacing.

Ease of assembly is facilitated by our built-in interlocks on the modular housings types. Pre-assembled products can be delivered upon request. Header housings are available in high-temperature resin for cost-efficient reflow soldering process.

### VERTICAL PLUG WIRE TO BOARD CONNECTION, RISING CAGE SCREW CLAMP

The Vertical Plug family of TE Connectivity's BUCHANAN PCB terminal blocks are available in 5.0mm (.197in), 5.08mm (.200in), 7.5mm (.295in), 7.62mm (.300in), 10.0mm (.394in) and 10.16mm (.400in) centerline blocks, suitable for max. 2.5mm<sup>2</sup>/AWG12 (acc. IEC/acc. UL) handle up to 16A/15A (acc. IEC/acc. UL).

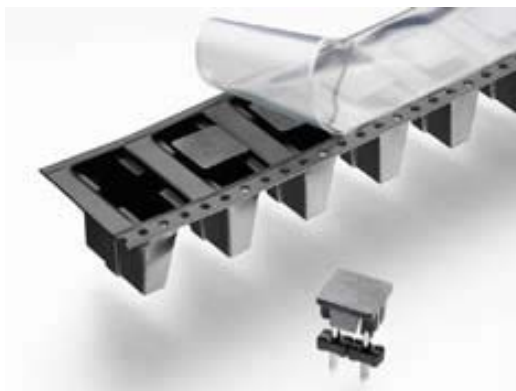
### CUSTOMER BENEFITS

- Nonmagnetic metal parts, allowing usage in EMV sensitive devices and corrosive environments
- Low temperature rise during operation due to maximal contact force
- All terminal blocks are supplied with open screws which shortens the time for connection
- The double captive screw system guards against lost screws
- The housing material used is halogen-free Polyamide 6.6 per UL 94V-0 (self-extinguishing)
- Rising cage and screw clamp versions come with post tin-plated contacts with nickel underplate which allows the product to be used in corrosive environments
- Through-hole reflow compatible versions are available for cost-efficient soldering process according to JEDEC J-STD-020
- High-temperature resin can withstand 260°C peak for lead-free tin soldering process and are MSL 1 rated (Moisture Sensitivity Level 1) and immune to damages caused by humidity

## BUCHANAN PCB Terminal Blocks

### OPTIONS FOR YOUR CONNECTIONS

**Packaging Options:** TE uses tape-on-reel packaging. This packaging makes it possible for customers to use automated pick and place equipment. Tape on reel may be used with high temperature products designed for through-hole reflow (THR) applications. Contact your TE terminal blocks team for specific details on other packaging options such as tubes and trays.



**Color Options:** With BUCHANAN PCB terminal blocks, you have the option of choosing the color of your product. This may benefit you by helping with organization and identification of your pieces. Many color options are available and will generally have only a minimal effect on lead times and minimum order quantities.

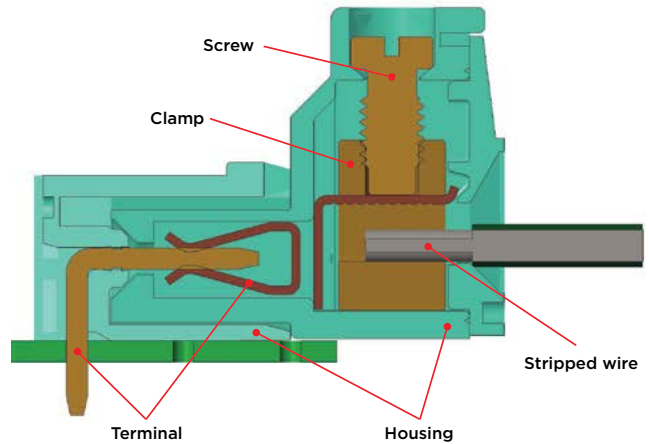
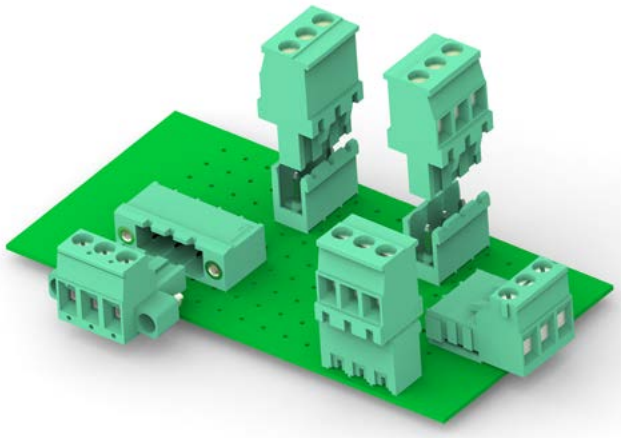


**Marking Options:** The printing is permanent and is typically done in either black or white. Adhesive labels are available to number the cavities. Customer specific labeling is also available upon request.



# BUCHANAN PCB Terminal Blocks

## TERMINAL BLOCK VERTICAL PLUG (PITCH 5.00, 5.08, 7.50, 7.62, 10.00, 10.16 MM)



	Pitch (mm)	UL	IEC		
			Overvoltage category / Pollution degree		
			III / 3	III / 2	II / 2
Operating Voltage(V)	5/5.08	300 V	250 V	300 V	600 V
	7.5/7.62	300 V	400 V	600 V	1000 V
	10/10.16	600 V	630 V	1000 V	1000 V
Current (A)	5/5.08	15 A	16 A		
	7.5/7.62	15 A	16 A		
	10/10.16	15 A	16 A		
Wire Range	5/5.08	12-30 AWG	2.5mm <sup>2</sup>		
	7.5/7.62	12-30 AWG	2.5mm <sup>2</sup>		
	10/10.16	12-30 AWG	2.5mm <sup>2</sup>		
Dielectric Withstand	5/5.08	4 kV	4 kV		
	7.5/7.62	6 kV	6 kV		
	10/10.16	8 kV	8 kV		
Wire Type		Sol/Str	Sol/Str		
Insulation Resistance	>1000M Ω (500V DC)				
Contact Resistance	<15 mΩ				

### MECHANICAL

- Clamping Screw Size: M3
- Recommended Tightening Torque: 0.5 Nm
- Wire Strip Length: 6.0/7.5 mm
- PCB hole diameter: 1.4 mm Min.
- PCB Board Thickness: 2.4 mm Max.

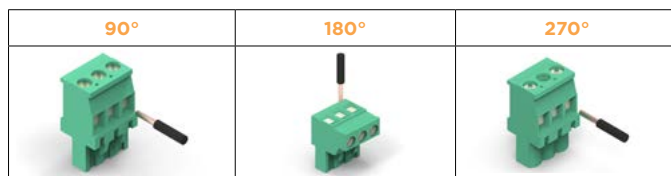
### MATERIAL

- Housing: Polyamide 6.6, UL 94V-0
- Terminals: Brass; Finish: Leadfree tin-plated
- Cage Clamp: Brass; Finish Nickel-plated
- Clamping Screw: Brass; Finish: Nickel-plated

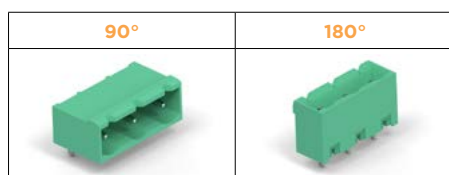
### ENVIRONMENTAL

- Operating Temp Range: -40 °C - 105 °C (-40 °F - +221 °F)

### DIRECTION OF WIRE ENTRY ANGLE TO PLUG



### HEADER MOUNTING ANGLE TYPE TO PCB



### PRODUCT COMPLIANCE / APPROVALS

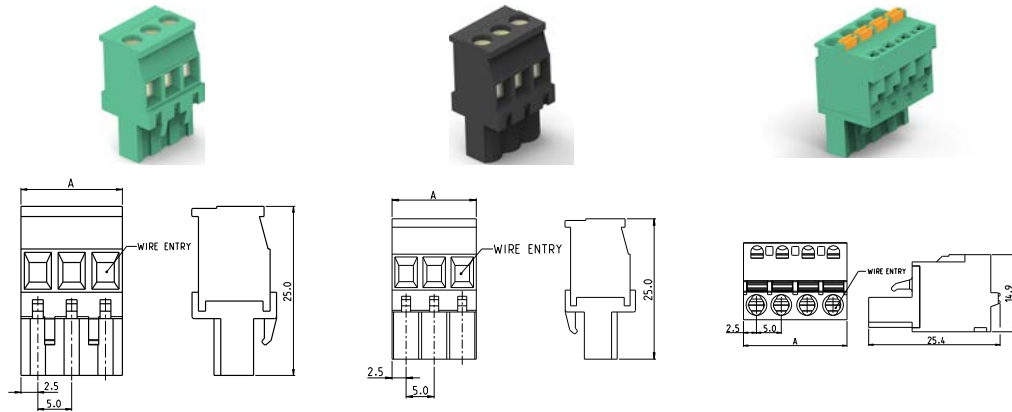
- RoHS Compliant
- UL approval: File No. E60677



Note: Parts listed in this document are approved

# BUCHANAN PCB Terminal Blocks

## PRODUCT SELECTION INFORMATION - TWO-PIECE STACKABLE WITH OPEN AND CLOSED HEADER - 5.00MM PITCH

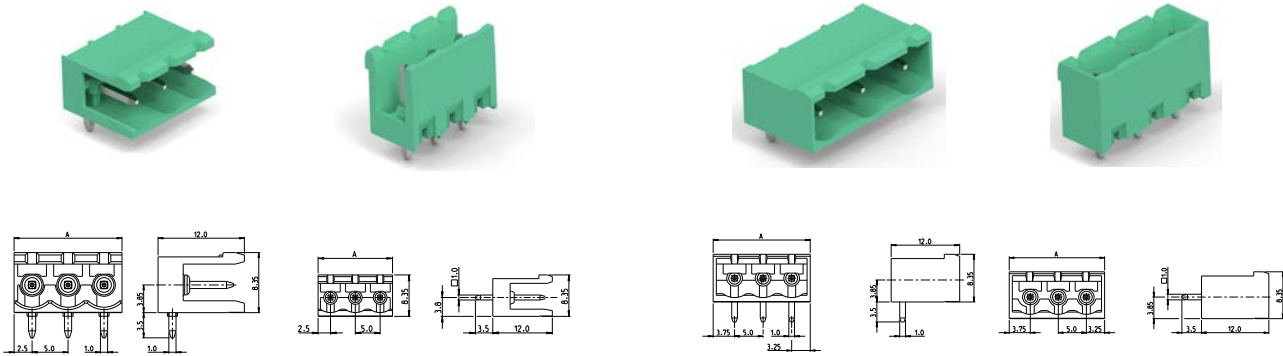


Pitch	Position	Stackable plug			
		90°	270°	180°	DIM A
5.00	2	284046-2	1546118-2	1546557-2	10.00
	3	284046-3	1546118-3	1546557-3	15.00
	4	284046-4	1546118-4	1546557-4	20.00
	5	284046-5	1546118-5	1546557-5	25.00
	6	284046-6	1546118-6	1546557-6	30.00
	7	284046-7	1546118-7	1546557-7	35.00
	8	284046-8	1546118-8	1546557-8	40.00
	9	284046-9	1546118-9	1546557-9	45.00
	10	1-284046-0	1-1546118-0	1-1546557-0	50.00
	11	1-284046-1	1-1546118-1	1-1546557-1	55.00
	12	1-284046-2	1-1546118-2	1-1546557-2	60.00
	13	1-284046-3	1-1546118-3	1-1546557-3	65.00
	14	1-284046-4	1-1546118-4	1-1546557-4	70.00
	15	1-284046-5	1-1546118-5	1-1546557-5	75.00
	16	1-284046-6	1-1546118-6	1-1546557-6	80.00
	17	1-284046-7	1-1546118-7	1-1546557-7	85.00
	18	1-284046-8	1-1546118-8	1-1546557-8	90.00
	19	1-284046-9	1-1546118-9		95.00
	20	2-284046-0	2-1546118-0		100.00
	21	2-284046-1	2-1546118-1		105.00
	22	2-284046-2	2-1546118-2		110.00
	23	2-284046-3	2-1546118-3		115.00
	24	2-284046-4	2-1546118-4		120.00
	25	2-284046-5	2-1546118-5		125.00

- All dimensions are in mm.

# BUCHANAN PCB Terminal Blocks

## PRODUCT SELECTION INFORMATION - TWO-PIECE STACKABLE WITH OPEN AND CLOSED HEADER - 5.00MM PITCH

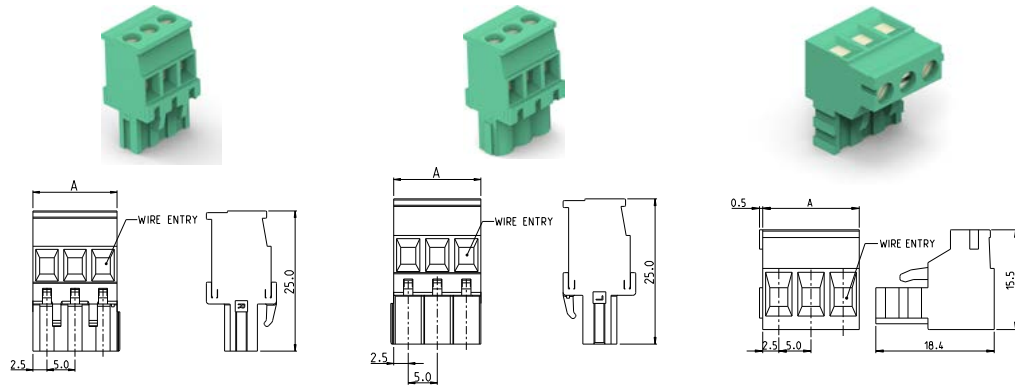


Header with open ends			Header with closed ends		
90°	180°	DIM A	90°**	180°**	DIM A
282812-2	282822-2	10.00	796644-2	796642-2	12.00
282812-3	282822-3	15.00	796644-3	796642-3	17.00
282812-4	282822-4	20.00	796644-4	796642-4	22.00
282812-5	282822-5	25.00	796644-5	796642-5	27.00
282812-6	282822-6	30.00	796644-6	796642-6	32.00
282812-7	282822-7	35.00	796644-7	796642-7	37.00
282812-8	282822-8	40.00	796644-8	796642-8	42.00
282812-9	282822-9	45.00	796644-9	796642-9	47.00
1-282812-0	1-282822-0	50.00	1-796644-0	1-796642-0	52.00
1-282812-1	1-282822-1	55.00	1-796644-1	1-796642-1	57.00
1-282812-2	1-282822-2	60.00	1-796644-2	1-796642-2	62.00
1-282812-3	1-282822-3	65.00	1-796644-3	1-796642-3	67.00
1-282812-4	1-282822-4	70.00	1-796644-4	1-796642-4	72.00
1-282812-5	1-282822-5	75.00	1-796644-5	1-796642-5	77.00
1-282812-6	1-282822-6	80.00	1-796644-6	1-796642-6	82.00
1-282812-7	1-282822-7	85.00	1-796644-7	1-796642-7	87.00
1-282812-8	1-282822-8	90.00	1-796644-8	1-796642-8	92.00
1-282812-9	1-282822-9	95.00	1-796644-9	1-796642-9	97.00
2-282812-0	2-282822-0	100.00	2-796644-0	2-796642-0	102.00
2-282812-1	2-282822-1	105.00	2-796644-1	2-796642-1	107.00
2-282812-2	2-282822-2	110.00	2-796644-2	2-796642-2	112.00
2-282812-3	2-282822-3	115.00	2-796644-3	2-796642-3	117.00
2-282812-4	2-282822-4	120.00	2-796644-4	2-796642-4	122.00
2-282812-5	2-282822-5	125.00	2-796644-5	2-796642-5	127.00

\*\* For reflow part numbers refer to page no. 23

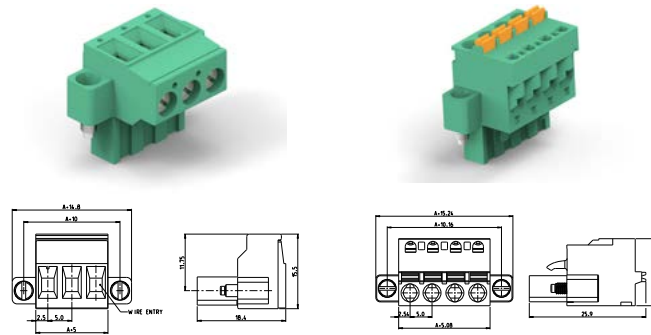
# BUCHANAN PCB Terminal Blocks

## PRODUCT SELECTION INFORMATION - TWO-PIECE MODULAR WITH OPEN AND CLOSED HEADER - 5.00MM PITCH



Pitch	Position	Modular Plug				DIM A
		90°	270°	180°		
5.00	2	1986976-2	1986978-2	282805-2	10.00	
	3	1986976-3	1986978-3	282805-3	15.00	
	4	1986976-4	1986978-4	282805-4	20.00	
	5	1986976-5	1986978-5	-	-	
	6	1986976-6	1986978-6	-	-	
	7	1986976-7	1986978-7	-	-	
	8	1986976-8	1986978-8	-	-	

## PRODUCT SELECTION INFORMATION - TWO-PIECE PLUG LOCKING SCREW WITH HEADER LOCKING SCREW - 5.00MM PITCH

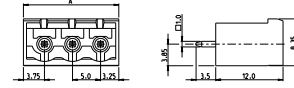
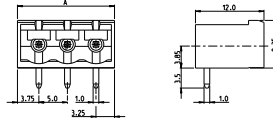
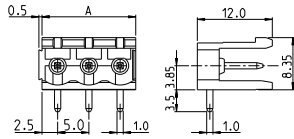
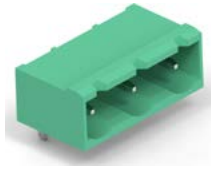
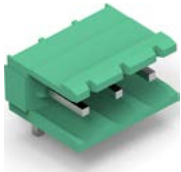


Pitch	Position	Plug with Locking screw		DIM A
		180°	180°	
5.00	2	796858-2	1986829-2	5.00
	3	796858-3	1986829-3	10.00
	4	796858-4	1986829-4	15.00
	5	796858-5	1986829-5	20.00
	6	796858-6	1986829-6	25.00
	7	796858-7	1986829-7	30.00
	8	796858-8	1986829-8	35.00
	9	796858-9	-	40.00
	10	1-796858-0	-	45.00

- All dimensions are in mm.

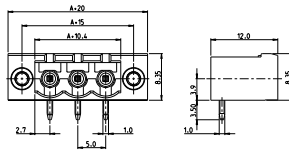
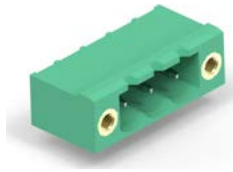
# BUCHANAN PCB Terminal Blocks

## PRODUCT SELECTION INFORMATION - TWO-PIECE MODULAR WITH OPEN AND CLOSED HEADER - 5.00MM PITCH



Header with open ends		Header with closed ends		
90°	DIM A	90°**	180°**	DIM A
282811-2	10.00	796644-2	796642-2	12.00
282811-3	15.00	796644-3	796642-3	17.00
282811-4	20.00	796644-4	796642-4	22.00
-	-	796644-5	796642-5	27.00
-	-	796644-6	796642-6	32.00
-	-	796644-7	796642-7	37.00
-	-	796644-8	796642-8	42.00

## PRODUCT SELECTION INFORMATION - TWO-PIECE PLUG LOCKING SCREW WITH HEADER LOCKING SCREW - 5.00MM PITCH

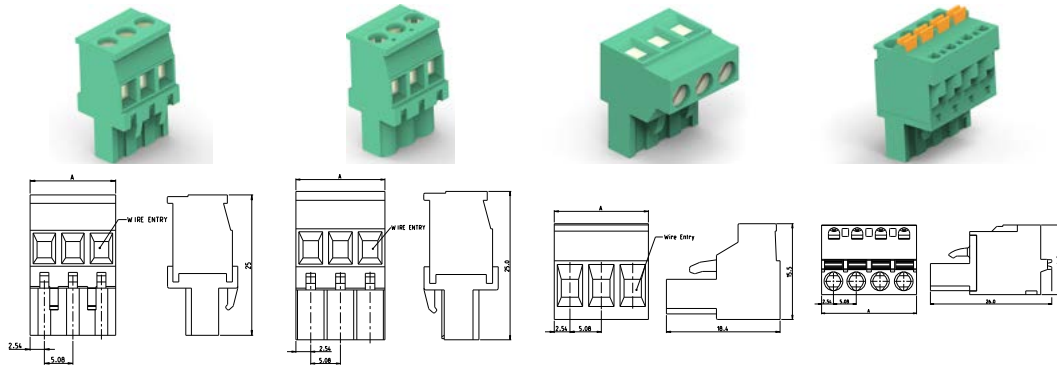


Header with locking screw	
90°	DIM A
796864-2	5.00
796864-3	10.00
796864-4	15.00
796864-5	20.00
796864-6	25.00
796864-7	30.00
796864-8	35.00
796864-9	40.00
1-796864-0	45.00

\*\* For reflow part numbers refer to page no. 23

# BUCHANAN PCB Terminal Blocks

## PRODUCT SELECTION INFORMATION - TWO-PIECE STACKABLE WITH OPEN AND CLOSED HEADER - 5.08MM PITCH



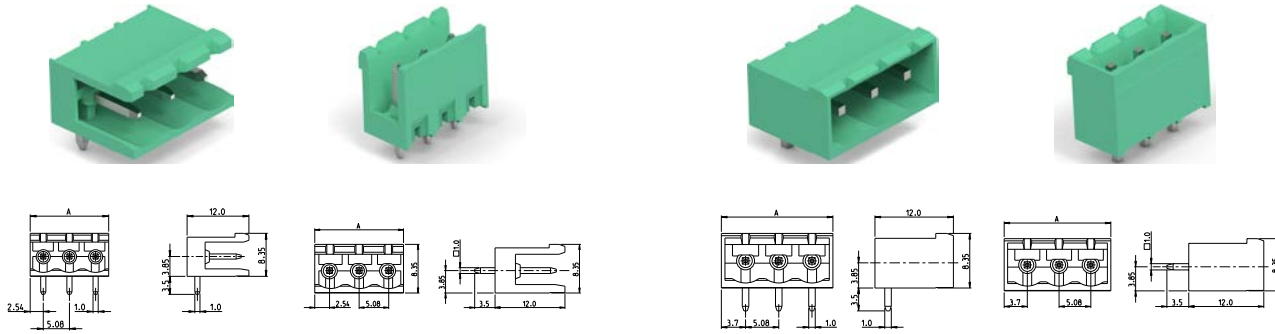
Pitch	Position	Stackable plug				DIM A
		90°	270°	180°	180°	
5.08	2	284047-2	284041-2	796634-2	1986262-2	10.16
	3	284047-3	284041-3	796634-3	1986262-3	15.24
	4	284047-4	284041-4	796634-4	1986262-4	20.32
	5	284047-5	284041-5	796634-5	1986262-5	25.40
	6	284047-6	284041-6	796634-6	1986262-6	30.48
	7	284047-7	284041-7	796634-7	1986262-7	35.56
	8	284047-8	284041-8	796634-8	1986262-8	40.64
	9	284047-9	284041-9	796634-9	1986262-9	45.72
	10	1-284047-0	1-284041-0	1-796634-0	1-1986262-0	50.80
	11	1-284047-1	1-284041-1	1-796634-1	1-1986262-1	55.88
	12	1-284047-2	1-284041-2	1-796634-2	1-1986262-2	60.96
	13	1-284047-3	1-284041-3	1-796634-3	1-1986262-3	66.04
	14	1-284047-4	1-284041-4	1-796634-4	1-1986262-4	71.12
	15	1-284047-5	1-284041-5	1-796634-5	1-1986262-5	76.20
	16	1-284047-6	1-284041-6	1-796634-6	1-1986262-6	81.28
	17	1-284047-7	1-284041-7	1-796634-7	1-1986262-7	86.36
	18	1-284047-8	1-284041-8	1-796634-8	1-1986262-8	91.44
	19	1-284047-9	1-284041-9	1-796634-9	-	96.52
	20	2-284047-0	2-284041-0	2-796634-0	-	101.60
	21	2-284047-1	2-284041-1	2-796634-1	-	106.68
	22	2-284047-2	2-284041-2	2-796634-2	-	111.76
	23	2-284047-3	2-284041-3	2-796634-3	-	116.84
	24	2-284047-4	2-284041-4	2-796634-4	-	121.92
	25	2-284047-5	2-284041-5	2-796634-5	-	127.00

- All dimensions are in mm.



# BUCHANAN PCB Terminal Blocks

## PRODUCT SELECTION INFORMATION - TWO-PIECE STACKABLE WITH OPEN AND CLOSED HEADER - 5.08MM PITCH

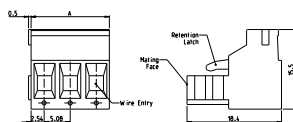


Header with open ends			Header with closed ends		
90°	180°	DIM A	90°**	180°**	DIM A
282815-2	282825-2	10.16	796638-2	796636-2	11.98
282815-3	282825-3	15.24	796638-3	796636-3	17.06
282815-4	282825-4	20.32	796638-4	796636-4	22.14
282815-5	282825-5	25.40	796638-5	796636-5	27.22
282815-6	282825-6	30.48	796638-6	796636-6	32.30
282815-7	282825-7	35.56	796638-7	796636-7	37.38
282815-8	282825-8	40.64	796638-8	796636-8	42.46
282815-9	282825-9	45.72	796638-9	796636-9	47.54
1-282815-0	1-282825-0	50.80	1-796638-0	1-796636-0	52.62
1-282815-1	1-282825-1	55.88	1-796638-1	1-796636-1	57.70
1-282815-2	1-282825-2	60.96	1-796638-2	1-796636-2	62.78
1-282815-3	1-282825-3	66.04	1-796638-3	1-796636-3	67.86
1-282815-4	1-282825-4	71.12	1-796638-4	1-796636-4	72.94
1-282815-5	1-282825-5	76.20	1-796638-5	1-796636-5	78.02
1-282815-6	1-282825-6	81.28	1-796638-6	1-796636-6	83.10
1-282815-7	1-282825-7	86.36	1-796638-7	1-796636-7	88.18
1-282815-8	1-282825-8	91.44	1-796638-8	1-796636-8	93.26
1-282815-9	1-282825-9	96.52	1-796638-9	1-796636-9	98.34
2-282815-0	2-282825-0	101.60	2-796638-0	2-796636-0	103.42
2-282815-1	2-282825-1	106.68	2-796638-1	2-796636-1	108.50
2-282815-2	2-282825-2	111.76	2-796638-2	2-796636-2	113.58
2-282815-3	2-282825-3	116.84	2-796638-3	2-796636-3	118.66
2-282815-4	2-282825-4	121.92	2-796638-4	2-796636-4	123.74
2-282815-5	2-282825-5	127.00	2-796638-5	2-796636-5	128.82

\*\* For reflow part numbers refer to page no. 24

# BUCHANAN PCB Terminal Blocks

## PRODUCT SELECTION INFORMATION - TWO-PIECE MODULAR WITH OPEN AND CLOSED HEADER - 5.08MM PITCH

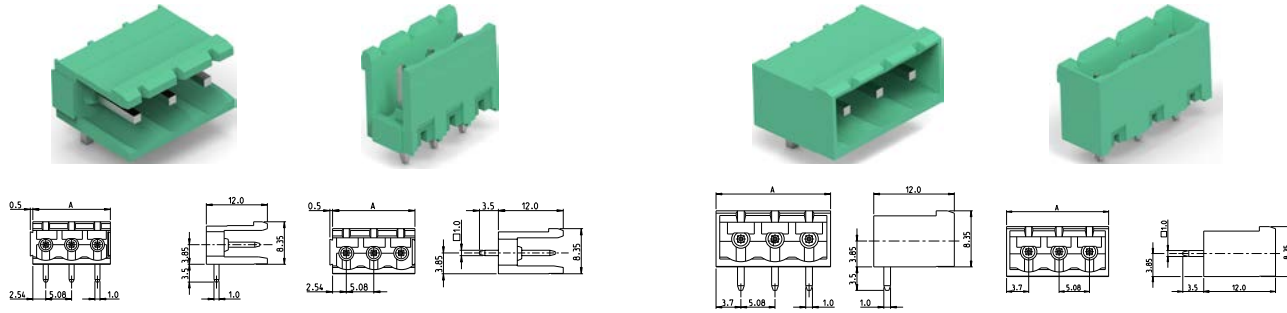


Pitch	Position	Stackable plug	
		180°	DIM A
5.08	2	282807-2	10.16
	3	282807-3	15.24
	4	282807-4	20.32

- All dimensions are in mm.

# BUCHANAN PCB Terminal Blocks

## PRODUCT SELECTION INFORMATION - TWO-PIECE MODULAR WITH OPEN AND CLOSED HEADER - 5.08MM PITCH

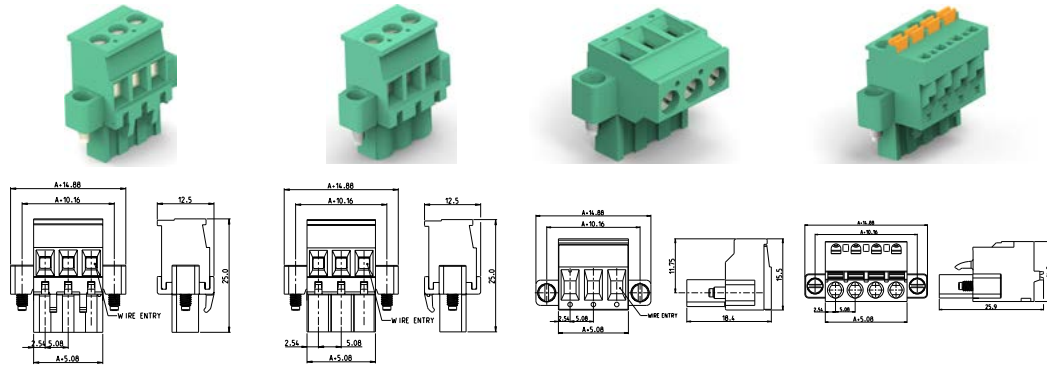


Header with open ends			Header with closed ends		
90°	180°	DIM A	90°**	180°**	DIM A
282814-2	282824-2	10.16	796638-2	796636-2	11.98
282814-3	282824-3	15.24	796638-3	796636-3	17.06
282814-4	282824-4	20.32	796638-4	796636-4	22.14

\*\* For reflow part numbers refer to page no. 24

# BUCHANAN PCB Terminal Blocks

## PRODUCT SELECTION INFORMATION - TWO-PIECE PLUG LOCKING SCREW WITH HEADER LOCKING SCREW - 5.08MM PITCH

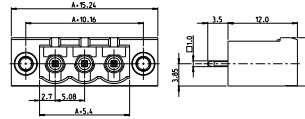
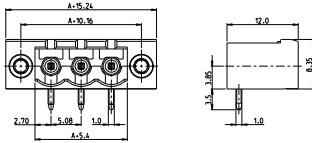
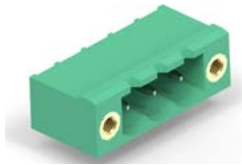


Pitch	Position	Stackable plug					DIM A
		90°	270°	180°	90°		
5.08	2	796863-2	796861-2	796859-2	1986830-2	5.08	
	3	796863-3	796861-3	796859-3	1986830-3	10.16	
	4	796863-4	796861-4	796859-4	1986830-4	15.24	
	5	796863-5	796861-5	796859-5	1986830-5	20.32	
	6	796863-6	796861-6	796859-6	1986830-6	25.40	
	7	796863-7	796861-7	796859-7	1986830-7	30.48	
	8	796863-8	796861-8	796859-8	1986830-8	35.56	
	9	796863-9	796861-9	796859-9	-	40.64	
	10	1-796863-0	1-796861-0	1-796859-0	-	45.72	
	11	1-796863-1	1-796861-1	1-796859-1	-	50.80	
	12	1-796863-2	1-796861-2	1-796859-2	-	55.88	
	13	1-796863-3	1-796861-3	1-796859-3	-	60.96	
	14	1-796863-4	1-796861-4	1-796859-4	-	66.04	
	15	1-796863-5	1-796861-5	1-796859-5	-	71.12	
	16	1-796863-6	1-796861-6	1-796859-6	-	76.20	
	17	1-796863-7	1-796861-7	1-796859-7	-	81.28	
	18	1-796863-8	1-796861-8	1-796859-8	-	86.36	
	19	1-796863-9	1-796861-9	1-796859-9	-	91.44	
	20	2-796863-0	2-796861-0	2-796859-0	-	96.52	
	21	2-796863-1	2-796861-1	2-796859-1	-	101.60	
	22	2-796863-2	2-796861-2	2-796859-2	-	106.68	
	23	2-796863-3	2-796861-3	2-796859-3	-	111.76	

- All dimensions are in mm.

# BUCHANAN PCB Terminal Blocks

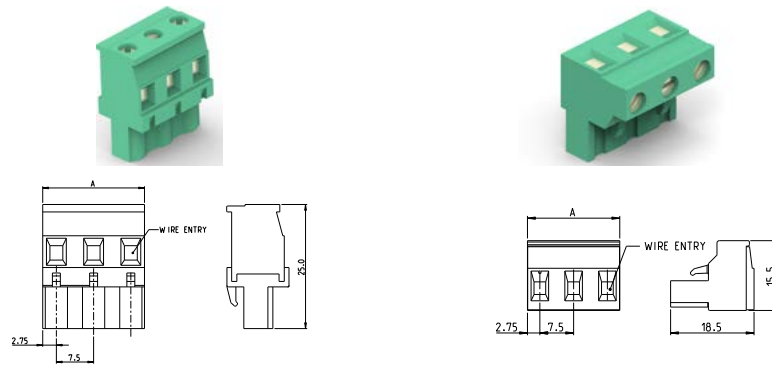
## PRODUCT SELECTION INFORMATION - TWO-PIECE PLUG LOCKING SCREW WITH HEADER LOCKING SCREW - 5.08MM PITCH



Header with closed ends		
90°	180°	DIM A
796866-2	796867-2	5.08
796866-3	796867-3	10.16
796866-4	796867-4	15.24
796866-5	796867-5	20.32
796866-6	796867-6	25.40
796866-7	796867-7	30.48
796866-8	796867-8	35.56
796866-9	796867-9	40.64
1-796866-0	1-796867-0	45.72
1-796866-1	1-796867-1	50.80
1-796866-2	1-796867-2	55.88
1-796866-3	1-796867-3	60.96
1-796866-4	1-796867-4	66.04
1-796866-5	1-796867-5	71.12
1-796866-6	1-796867-6	76.20
1-796866-7	1-796867-7	81.28
1-796866-8	1-796867-8	86.36
1-796866-9	1-796867-9	91.44
2-796866-0	2-796867-0	96.52
2-796866-1	2-796867-1	101.60
2-796866-2	2-796867-2	106.68
2-796866-3	2-796867-3	111.76

# BUCHANAN PCB Terminal Blocks

## PRODUCT SELECTION INFORMATION - TWO-PIECE STACKABLE WITH OPEN AND CLOSED HEADER - 7.50MM PITCH

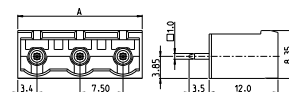
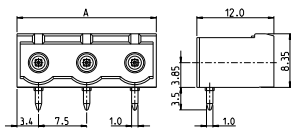


Pitch	Position	Stackable plug		
		270°	180°	DIM A
7.50	2	284042-2	282959-2	13.00
	3	284042-3	282959-3	20.50
	4	284042-4	282959-4	28.00
	5	284042-5	282959-5	35.50
	6	284042-6	282959-6	43.00
	7	284042-7	282959-7	50.50
	8	284042-8	282959-8	58.00
	9	284042-9	282959-9	65.50
	10	1-284042-0	1-282959-0	73.00
	11	1-284042-1	1-282959-1	80.50
	12	1-284042-2	1-282959-2	88.00

- All dimensions are in mm.

# BUCHANAN PCB Terminal Blocks

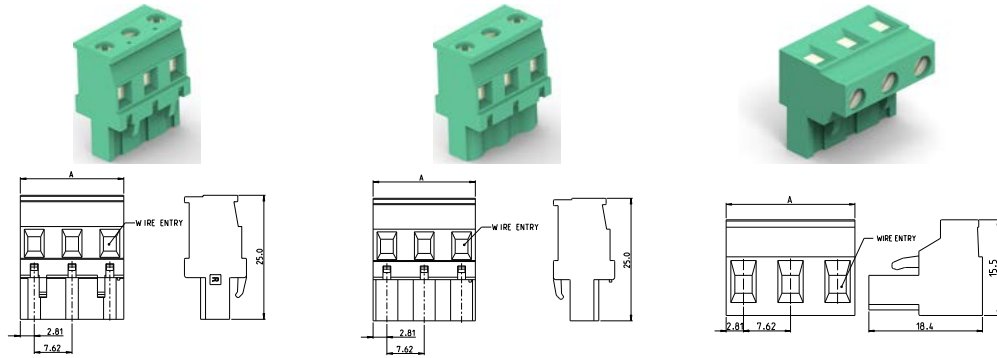
## PRODUCT SELECTION INFORMATION - TWO-PIECE STACKABLE WITH OPEN AND CLOSED HEADER - 7.50MM PITCH



Header with closed ends		
90°	180°	DIM A
282962-2	282964-2	14.20
282962-3	282964-3	21.70
282962-4	282964-4	29.20
282962-5	282964-5	36.70
282962-6	282964-6	44.20
282962-7	282964-7	51.70
282962-8	282964-8	59.20
282962-9	282964-9	66.70
1-282962-0	1-282964-0	74.20
1-282962-1	1-282964-1	81.70
1-282962-2	1-282964-2	89.20

# BUCHANAN PCB Terminal Blocks

## PRODUCT SELECTION INFORMATION - TWO-PIECE STACKABLE WITH OPEN AND CLOSED HEADER - 7.62MM PITCH



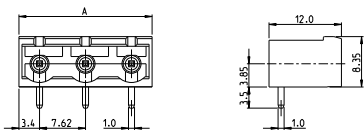
Pitch	Position	Stackable plug			DIM A
		90°	270°	180°	
7.62	2	284049-2	284043-2	796981-2	13.24
	3	284049-3	284043-3	796981-3	20.86
	4	284049-4	284043-4	796981-4	28.48
	5	284049-5	284043-5	796981-5	36.10
	6	284049-6	284043-6	796981-6	43.72
	7	284049-7	284043-7	796981-7	51.34
	8	284049-8	284043-8	796981-8	58.96
	9	284049-9	284043-9	796981-9	66.58
	10	1-284049-0	1-284043-0	1-796981-0	74.20
	11	1-284049-1	1-284043-1	1-796981-1	81.82
	12	1-284049-2	1-284043-2	1-796981-2	89.44

- All dimensions are in mm.



# BUCHANAN PCB Terminal Blocks

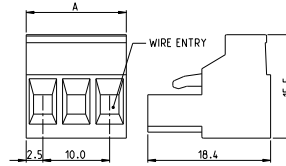
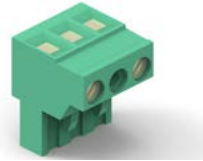
## PRODUCT SELECTION INFORMATION - TWO-PIECE STACKABLE WITH OPEN AND CLOSED HEADER - 7.62MM PITCH



Header with closed ends		
90°		DIM A
	282966-2	14.44
	282966-3	22.06
	282966-4	29.68
	282966-5	37.30
	282966-6	44.92
	282966-7	52.54
	282966-8	60.16
	282966-9	67.78
	1-282966-0	75.40
	1-282966-1	83.02
	1-282966-2	90.64

# BUCHANAN PCB Terminal Blocks

## PRODUCT SELECTION INFORMATION - TWO-PIECE STACKABLE WITH OPEN AND CLOSED HEADER - 10.00MM PITCH

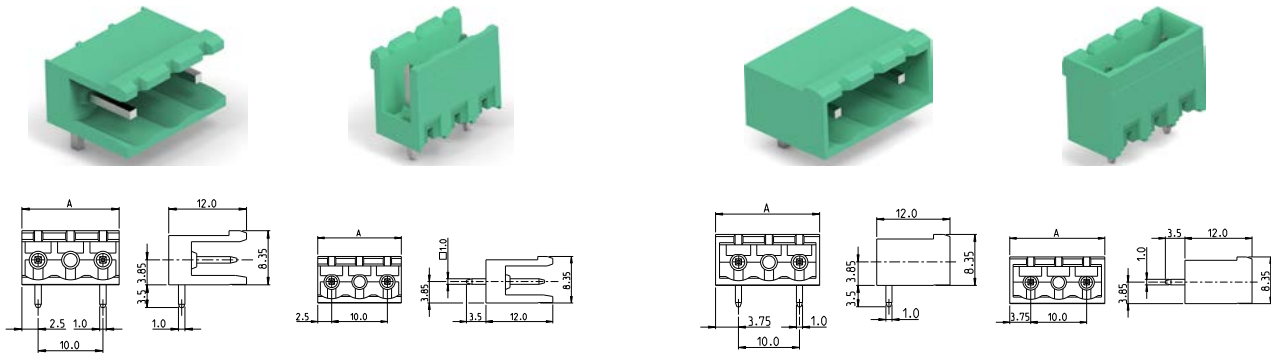


Pitch	Position	Stackable plug	
		180°	DIM A
10.00	2	282808-2	15.00
	3	282808-3	25.00
	4	282808-4	35.00
	5	282808-5	45.00
	6	282808-6	55.00
	7	282808-7	65.00
	8	282808-8	75.00
	9	282808-9	85.00
	10	1-282808-0	95.00
	11	1-282808-1	105.00
	12	1-282808-2	115.00
	13	1-282808-3	125.00

- All dimensions are in mm.

# BUCHANAN PCB Terminal Blocks

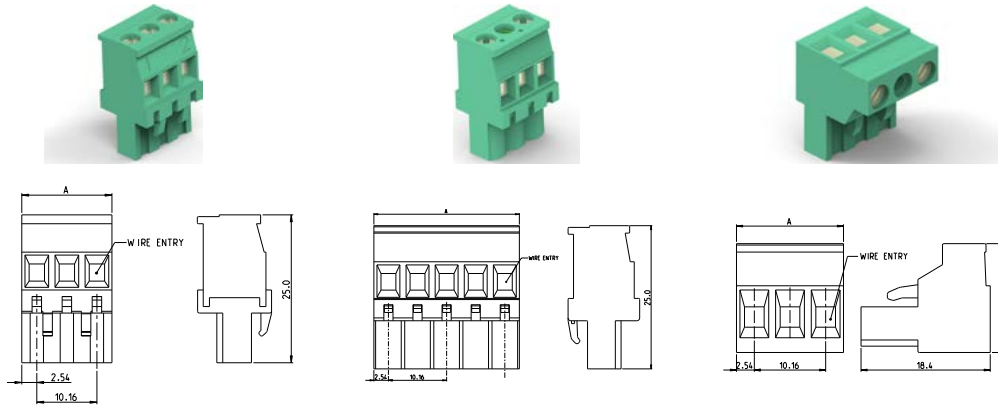
## PRODUCT SELECTION INFORMATION - TWO-PIECE STACKABLE WITH OPEN AND CLOSED HEADER - 10.00MM PITCH



Header with open ends			Header with closed ends		
90°	180°	DIM A	90°	180°	DIM A
282817-2	282827-2	15.00	282816-2	282826-2	15.00
282817-3	282827-3	25.00	282816-3	282826-3	25.00
282817-4	282827-4	35.00	282816-4	282826-4	35.00
282817-5	282827-5	45.00	282816-5	282826-5	45.00
282817-6	282827-6	55.00	282816-6	282826-6	55.00
282817-7	282827-7	65.00	282816-7	282826-7	65.00
282817-8	282827-8	75.00	282816-8	282826-8	75.00
282817-9	282827-9	85.00	282816-9	282826-9	85.00
1-282817-0	1-282827-0	95.00	1-282816-0	1-282826-0	95.00
1-282817-1	1-282827-1	105.00	1-282816-1	1-282826-1	105.00
1-282817-2	1-282827-2	115.00	1-282816-2	1-282826-2	115.00
1-282817-3	1-282827-3	125.00	1-282816-3	1-282826-3	125.00

# BUCHANAN PCB Terminal Blocks

## PRODUCT SELECTION INFORMATION - TWO-PIECE STACKABLE WITH OPEN AND CLOSED HEADER - 10.16MM PITCH

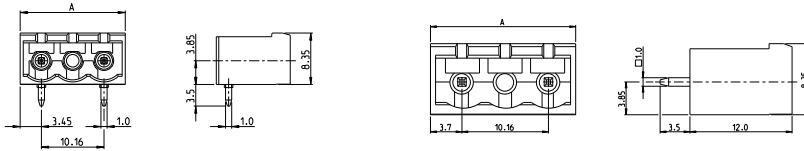
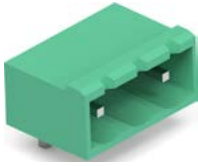


Pitch	Position	Stackable plug			
		90°	270°	180°	DIM A
10.16	2	284051-2	284045-2	282809-2	15.24
	3	284051-3	284045-3	282809-3	25.40
	4	284051-4	284045-4	282809-4	35.56
	5	284051-5	284045-5	282809-5	45.72
	6	284051-6	284045-6	282809-6	55.88
	7	284051-7	284045-7	282809-7	66.04
	8	284051-8	284045-8	282809-8	76.20
	9	284051-9	284045-9	282809-9	86.36
	10	1-284051-0	1-284045-0	1-282809-0	96.52
	11	1-284051-1	1-284045-1	1-282809-1	106.68
	12	1-284051-2	1-284045-2	1-282809-2	116.84
	13	1-284051-3	1-284045-3	1-282809-3	127.00

- All dimensions are in mm.

# BUCHANAN PCB Terminal Blocks

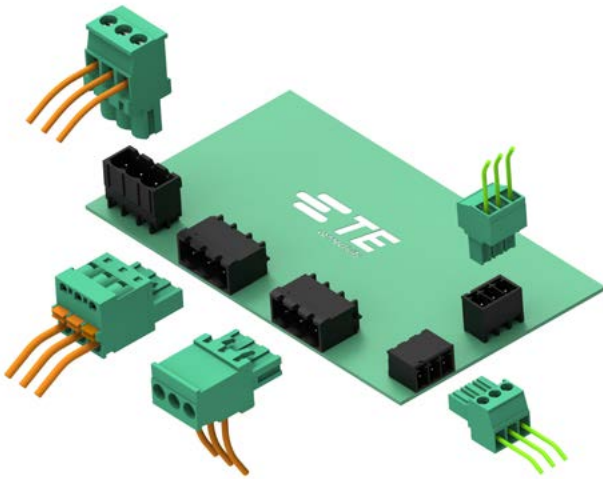
## PRODUCT SELECTION INFORMATION - TWO-PIECE STACKABLE WITH OPEN AND CLOSED HEADER - 10.16MM PITCH



Header with closed ends		
90°	180°	DIM A
282818-2	282828-2	17.06
282818-3	282828-3	27.22
282818-4	282828-4	37.38
282818-5	282828-5	47.54
282818-6	282828-6	57.70
282818-7	282828-7	67.86
282818-8	282828-8	78.02
282818-9	282828-9	88.18
1-282818-0	1-282828-0	98.34
1-282818-1	1-282828-1	108.50
1-282818-2	1-282828-2	118.66
1-282818-3	1-282828-3	128.82

# BUCHANAN PCB Terminal Blocks

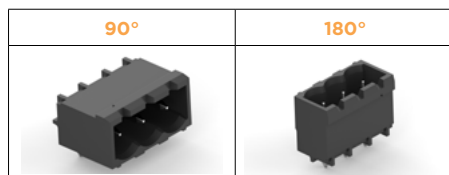
## TERMINAL BLOCK VERTICAL PLUG (PITCH 5.00, 5.08 MM)



### ELECTRICAL

	Pitch (mm)	UL	IEC		
			Overvoltage category / Pollution degree		
			III / 3	III / 2	II / 2
Operating Voltage(V)	5/5.08	300 V	250 V	300 V	600 V
Current (A)	5/5.08	15 A	16 A		
Wire Range	5/5.08	12-30 AWG	2.5mm <sup>2</sup>		
Dielectric Withstand	5/5.08	4 kV	4 kV		
Wire Type		Sol/Str	Sol/Str		
Insulation Resistance	>1000M Ω (500V DC)				
Contact Resistance	<15 mΩ				

### HEADER MOUNTING ANGLE TYPE TO PCB



### MECHANICAL

- PCB hole diameter: 1.3 mm Min.
- PCB Board Thickness: 1.6 mm Max.

### MATERIAL

- **Housing:** High Temp Polyamide, UL 94V-0
- **Terminals:** Brass; Finish: Leadfree tin-plated

### SOLDERING TECHNOLOGY

- **Soldering standard** - soldering process according to JEDEC J-STD-020
- **Process quality** - high-temperature resin can withstand 260°C peak for lead-free tin soldering process and are MSL 1 rated (Moisture Sensitivity Level 1) and immune to damages caused by humidity
- **Packaging** - Tape and Reel, Tube or Tray Packaging available on request for every part number

### ENVIRONMENTAL

- **Operating Temp Range:** -40 °C - 105 °C (-40 °F - +221 °F)

### PRODUCT COMPLIANCE / APPROVALS

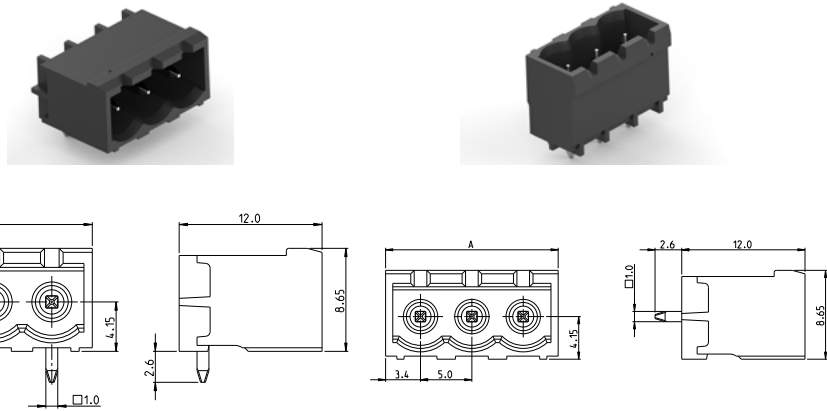
- RoHS Compliant
- **UL approval:** File No. E60677



Note: Parts listed in this document are approved

# BUCHANAN PCB Terminal Blocks

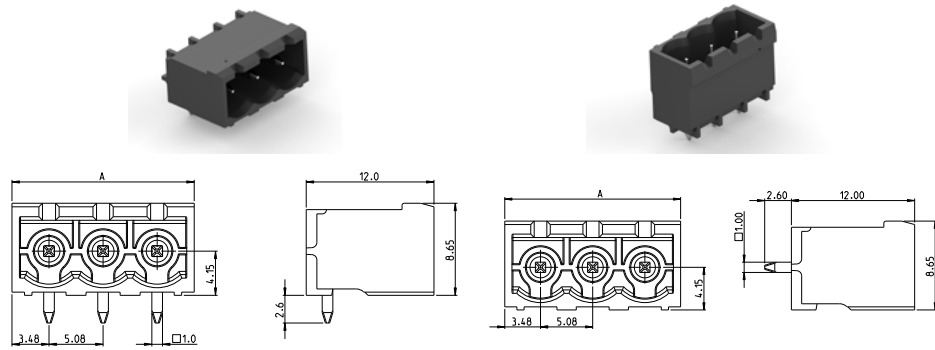
## PRODUCT SELECTION INFORMATION - TWO-PIECE STACKABLE WITH CLOSED REFLOW HEADER - 5.00 MM PITCH



Pitch	Color	Position	Header with Closed ends		
			90°	180°	DIM A
5.00	Black	2	2342079-2	2342082-2	12
		3	2342079-3	2342082-3	17
		4	2342079-4	2342082-4	22
		5	2342079-5	2342082-5	27
		6	2342079-6	2342082-6	32
		7	2342079-7	2342082-7	37
		8	2342079-8	2342082-8	42
		9	2342079-9	2342082-9	47
		10	1-2342079-0	1-2342082-0	52
		11	1-2342079-1	1-2342082-1	57
		12	1-2342079-2	1-2342082-2	62
		13	1-2342079-3	1-2342082-3	67
		14	1-2342079-4	1-2342082-4	72
		15	1-2342079-5	1-2342082-5	77
		16	1-2342079-6	1-2342082-6	82
		17	1-2342079-7	1-2342082-7	87
		18	1-2342079-8	1-2342082-8	92
		19	1-2342079-9	1-2342082-9	97
		20	-	2-2342082-0	102

# BUCHANAN PCB Terminal Blocks

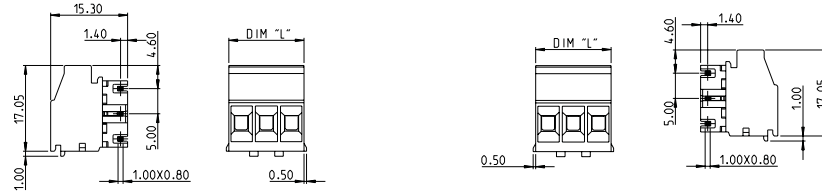
## PRODUCT SELECTION INFORMATION - TWO-PIECE STACKABLE WITH CLOSED REFLOW HEADER - 5.08 MM PITCH



Pitch	Color	Position	Header w/ Closed ends		
			90°	180°	DIM A
5.08	Black	2	2342083-2	2342084-2	11.98
		3	2342083-3	2342084-3	17.06
		4	2342083-4	2342084-4	22.14
		5	2342083-5	2342084-5	27.22
		6	2342083-6	2342084-6	32.3
		7	2342083-7	2342084-7	37.38
		8	2342083-8	2342084-8	42.46
		9	2342083-9	2342084-9	47.54
		10	1-2342083-0	1-2342084-0	52.62
		11	1-2342083-1	1-2342084-1	57.7
		12	1-2342083-2	1-2342084-2	62.78
		13	1-2342083-3	1-2342084-3	67.86
		14	1-2342083-4	1-2342084-4	72.94
		15	1-2342083-5	1-2342084-5	78.02
		16	1-2342083-6	1-2342084-6	83.1
		17	1-2342083-7	1-2342084-7	88.18
		18	1-2342083-8	1-2342084-8	93.26
		19	1-2342083-9	1-2342084-9	98.34
		20	2-2342083-0	2-2342084-0	103.42
		21	2-2342083-1	2-2342084-1	108.5
		22	2-2342083-2	2-2342084-2	113.58
		23	2-2342083-3	2-2342084-3	118.66
		24	2-2342083-4	2-2342084-4	123.74
		25	2-2342083-5	2-2342084-5	128.82



# BUCHANAN PCB Terminal Blocks



Pitch	Position	Header Part Number		DIM "L"
		Right	Left	
5.00	5.00	2363963-2	2363965-2	9.95
	5.00	2363963-3	2363965-3	14.95

## te.com

© 2019 TE Connectivity. All Rights Reserved.

BUCHANAN, TE Connectivity and TE Connectivity (logo) are trademarks. All other logos, products and/or company names referred to herein might be trademarks of their respective owners.

While TE has made every reasonable effort to ensure the accuracy of the information in this brochure, TE does not guarantee that it is error-free, nor does TE make any other representation, warranty or guarantee that the information is accurate, correct, reliable or current. TE reserves the right to make any adjustments to the information contained herein at any time without notice. TE expressly disclaims all implied warranties regarding the information contained herein, including, but not limited to, any implied warranties of merchantability or fitness for a particular purpose. The dimensions in this catalog are for reference purposes only and are subject to change without notice. Specifications are subject to change without notice. Consult TE for the latest dimensions and design specifications.

1-773958-1 AK 08/20

单击下面可查看定价，库存，交付和生命周期等信息

[>>TE Connectivity\(泰科\)](#)