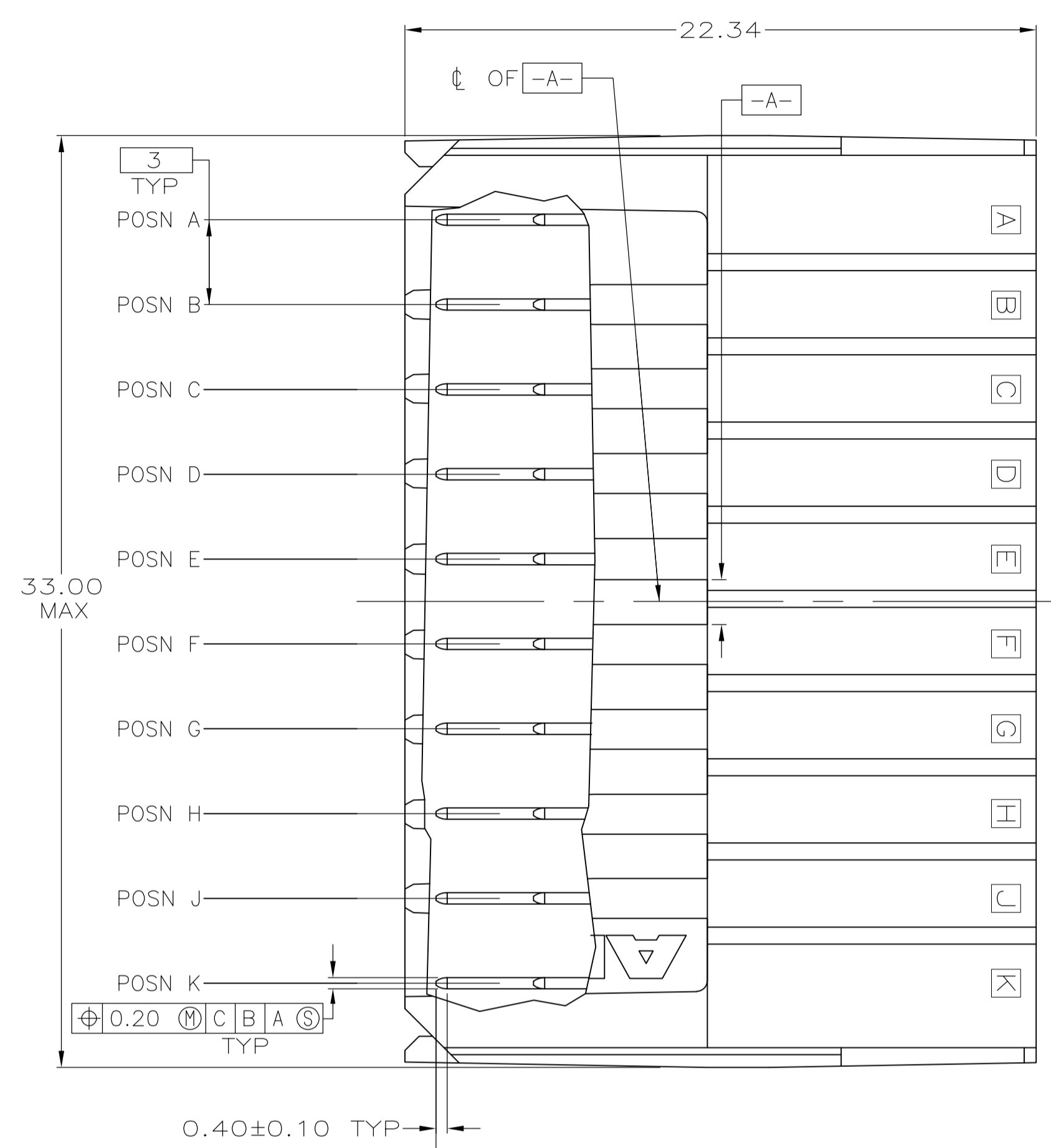
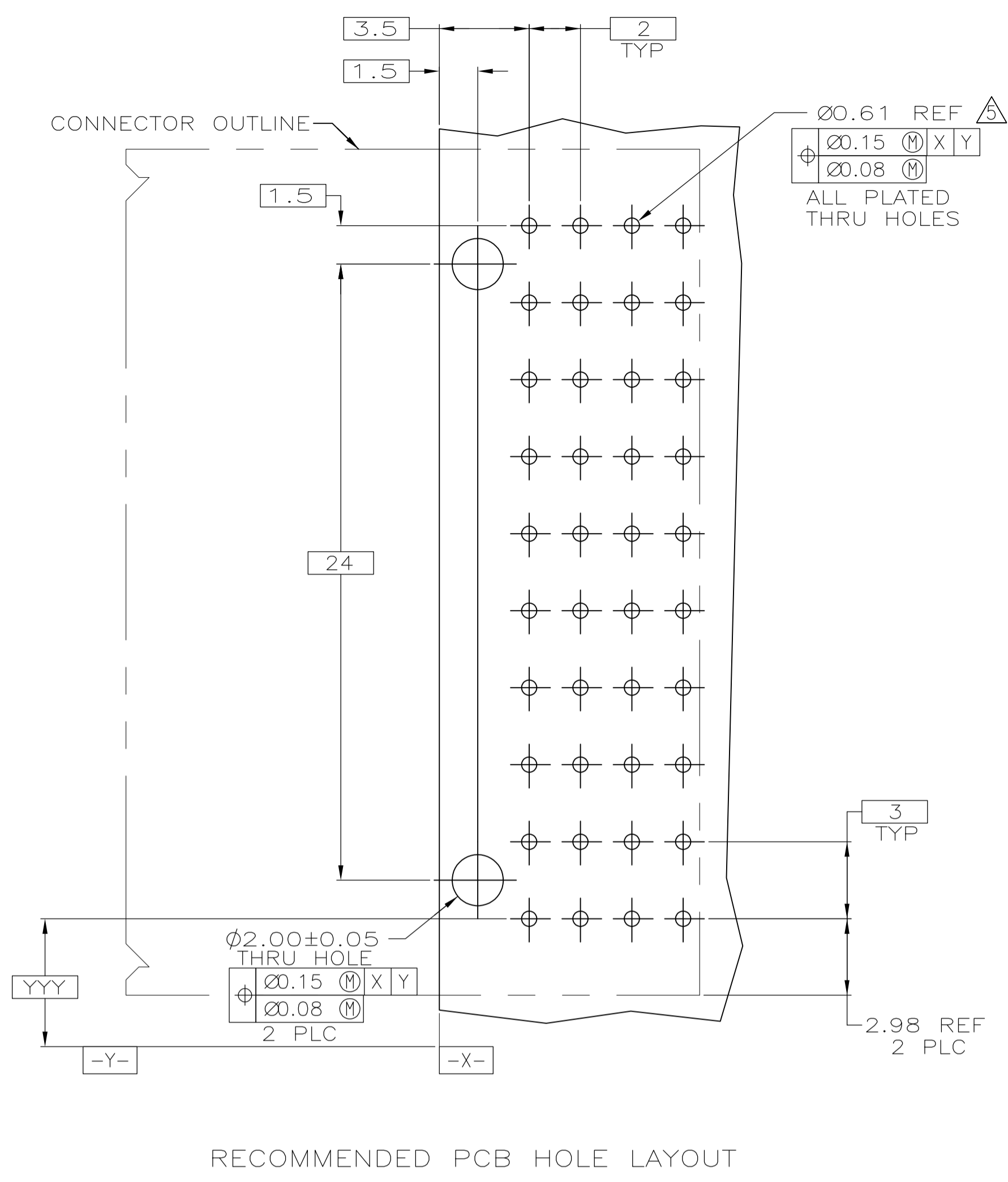
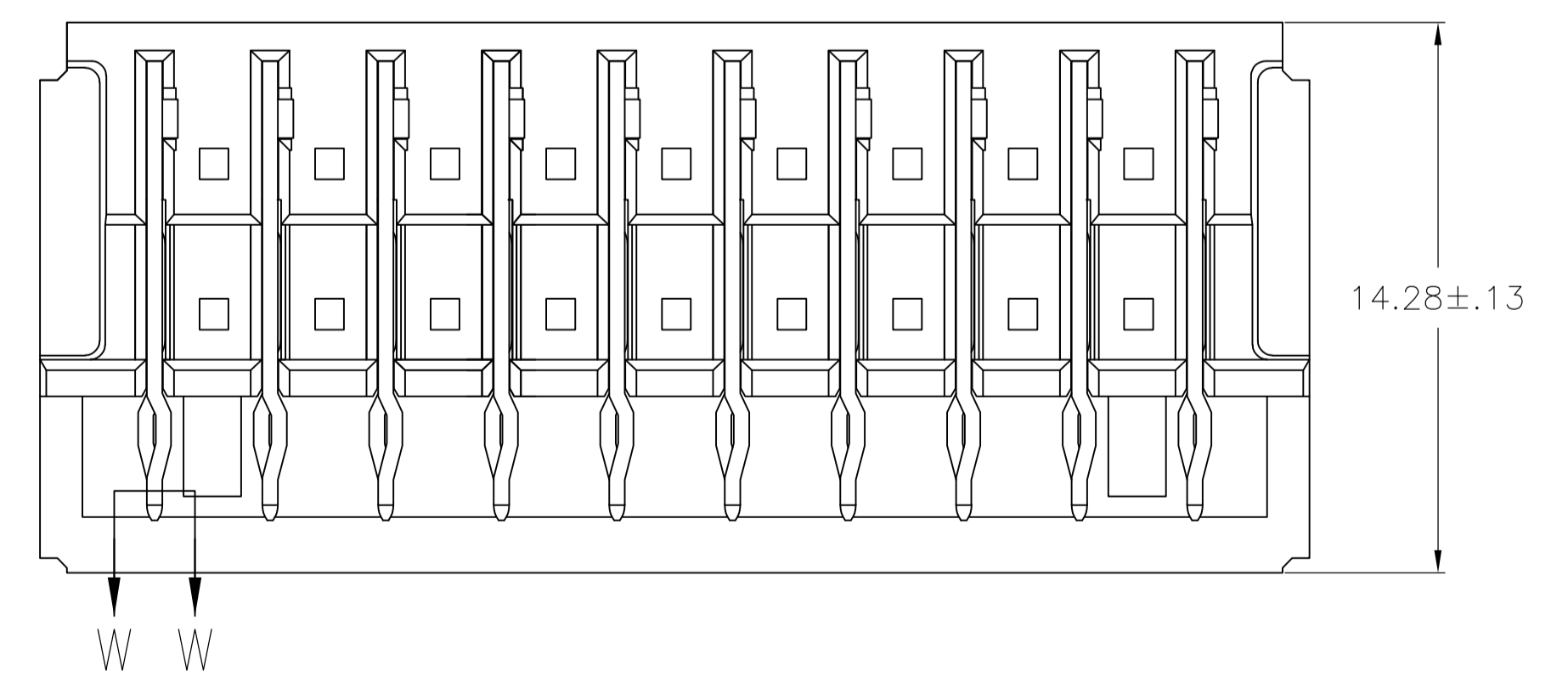
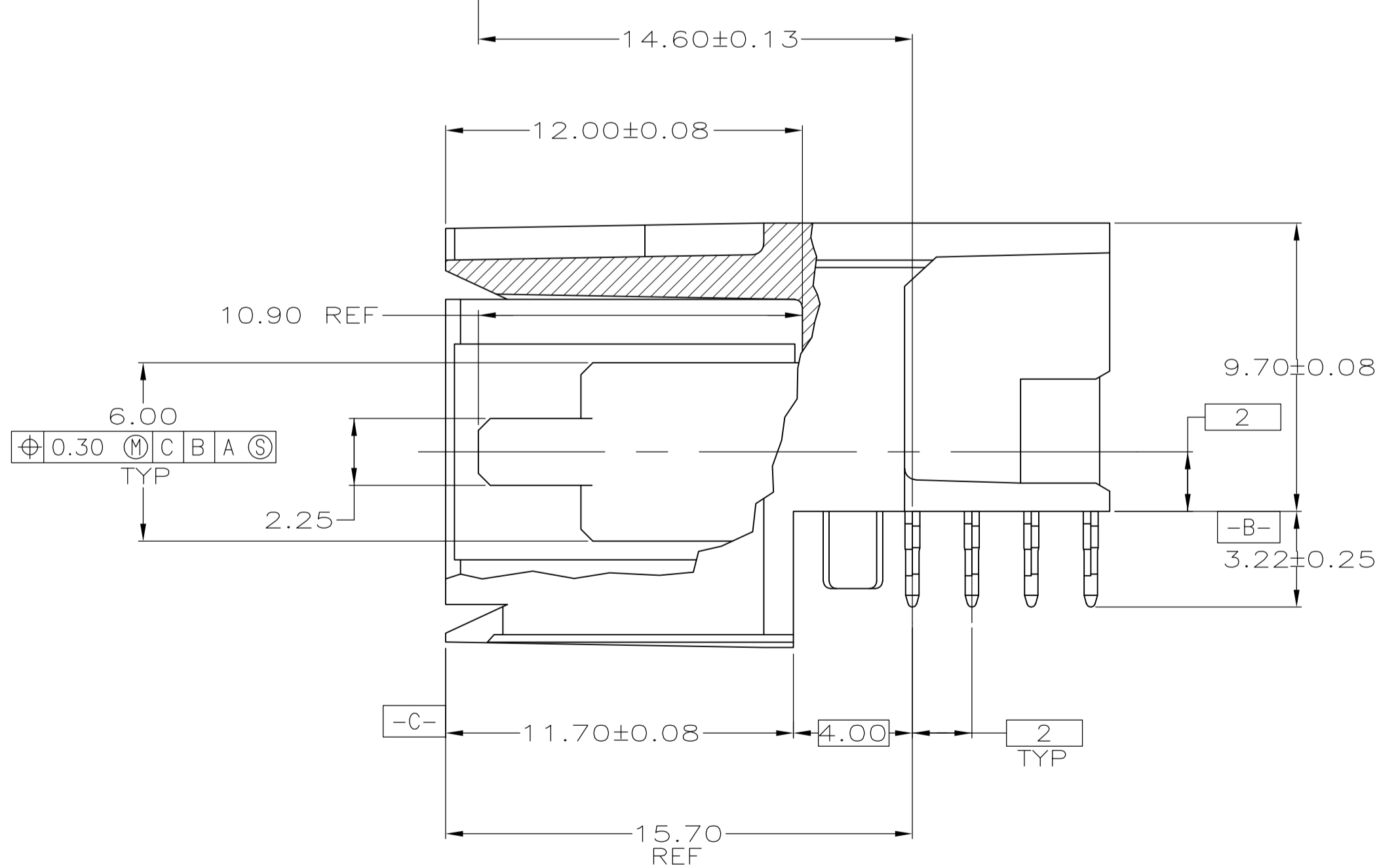
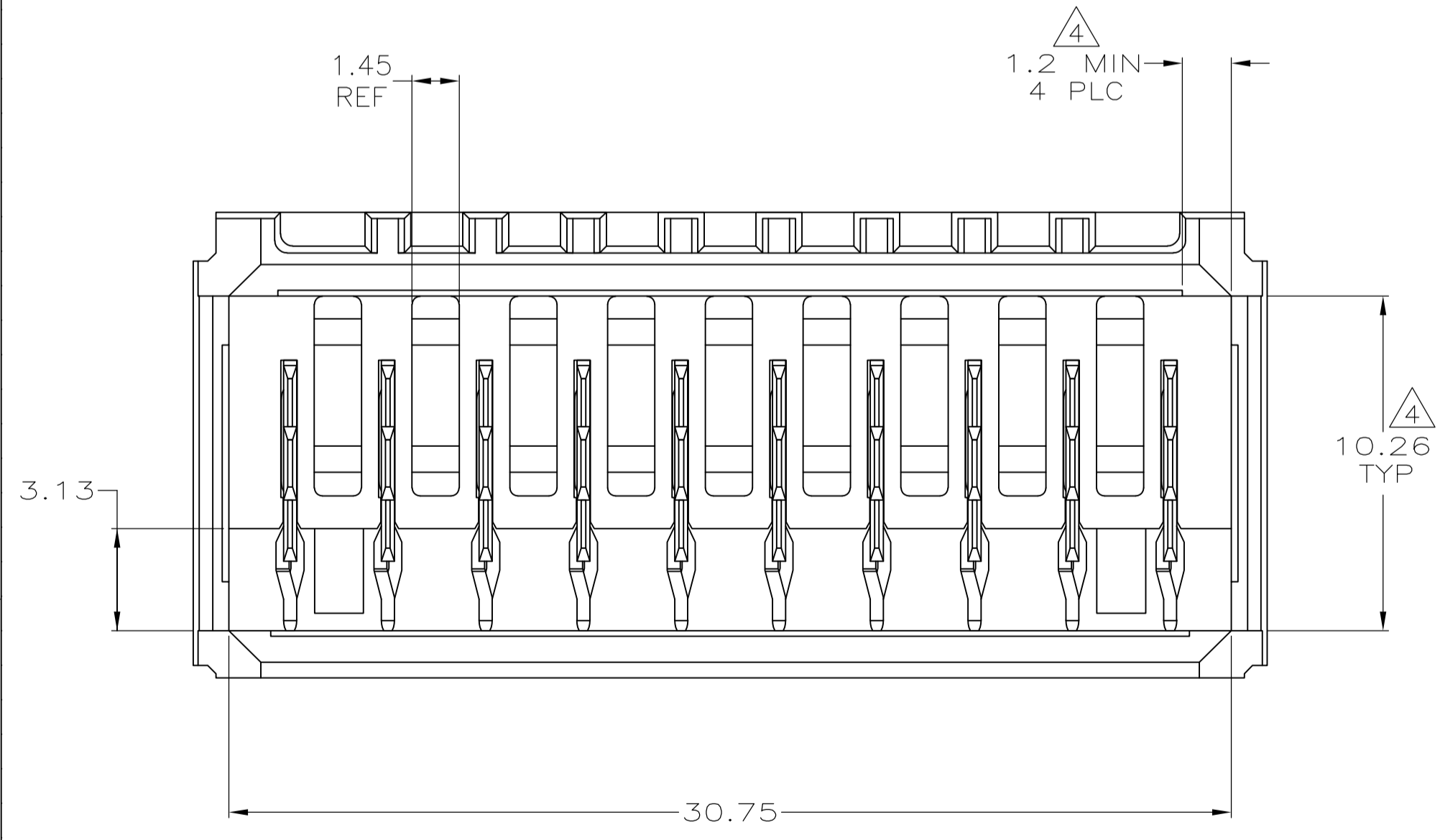
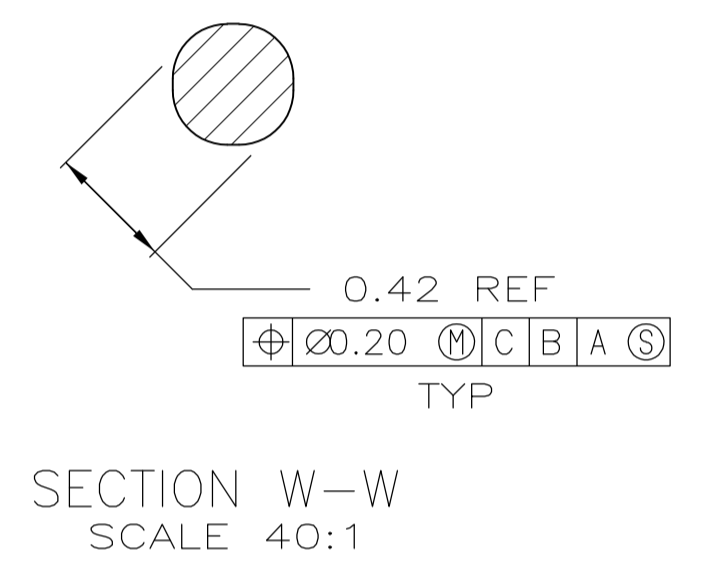


LOC		DIST		REVISIONS			
AD	00	REV	LTR	DESCRIPTION	DATE	DWN	APVD
		E		REVISED PER ECO-11-000045	05JAN11	DH	DY



- $\Delta$  MATERIAL: HOUSING: POLYESTER. COLOR: GRAY. UL 94V-0. CONTACT: PHOSPHOR BRONZE.
- $\Delta$  FINISH: CONTACT MATING AREA: 1.27µm MIN GOLD OR 0.08µm MIN GOLD OVER 0.76µm MIN PALLADIUM-NICKEL. ACTION PIN AREA: 0.5µm MIN TIN LEAD PLATE, ALL OVER 1.27µm MIN NICKEL UNDERPLATE.
- $\Delta$  FINISH: CONTACT LUBRICATION WITH BELLCORE APPROVED LUBRICANT. TECHNICAL REFERENCE: GR-1217-CORE, ISSUE 1, NOVEMBER 1995.
- $\Delta$  THE 10.26±0.13 DIMENSION APPLIES IN THIS AREA.
- $\Delta$  REFERENCE APPLICATION SPEC 114-1103 FOR RECOMMENDED PLATED THRU HOLE DIAMETER AND PLATING THICKNESSES.
- 6. CURRENT RATING 10A/CONTACT PER PRODUCT SPEC 108-1651.



$\Delta$ 2	$\Delta$ 3	646960-1
FINISH	PART NUMBER	

THIS DRAWING IS A CONTROLLED DOCUMENT.		DIN B CARBO 10 OCT 01	Tyco Electronics Corporation Harrisburg, PA 17105-3608
DIMENSIONS: mm		CIK R PATTERSON 10 OCT 01	
TOLERANCES UNLESS OTHERWISE SPECIFIED:		APVD R PATTERSON 10 OCT 01	NAME ASSEMBLY, RIGHT ANGLE HEADER, W/ RETENTION PEGS, UNIVERSAL POWER MODULE
0 PLC ± -		PRODUCT SPEC	
1 PLC ± -		APPLICATION SPEC	SIZE CAGE CODE DRAWING NO
2 PLC ± 0.13		RESTRICTED TO	A1 00779 C=646960
3 PLC ± -		WEIGHT	SCALE 6:1 SHEET 1 OF 1 REV E
4 PLC ± -		CUSTOMER DRAWING	
ANGLES ± -			

单击下面可查看定价，库存，交付和生命周期等信息

[>>TE Connectivity\(泰科\)](#)