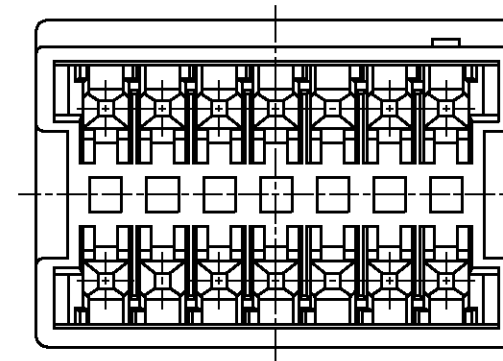
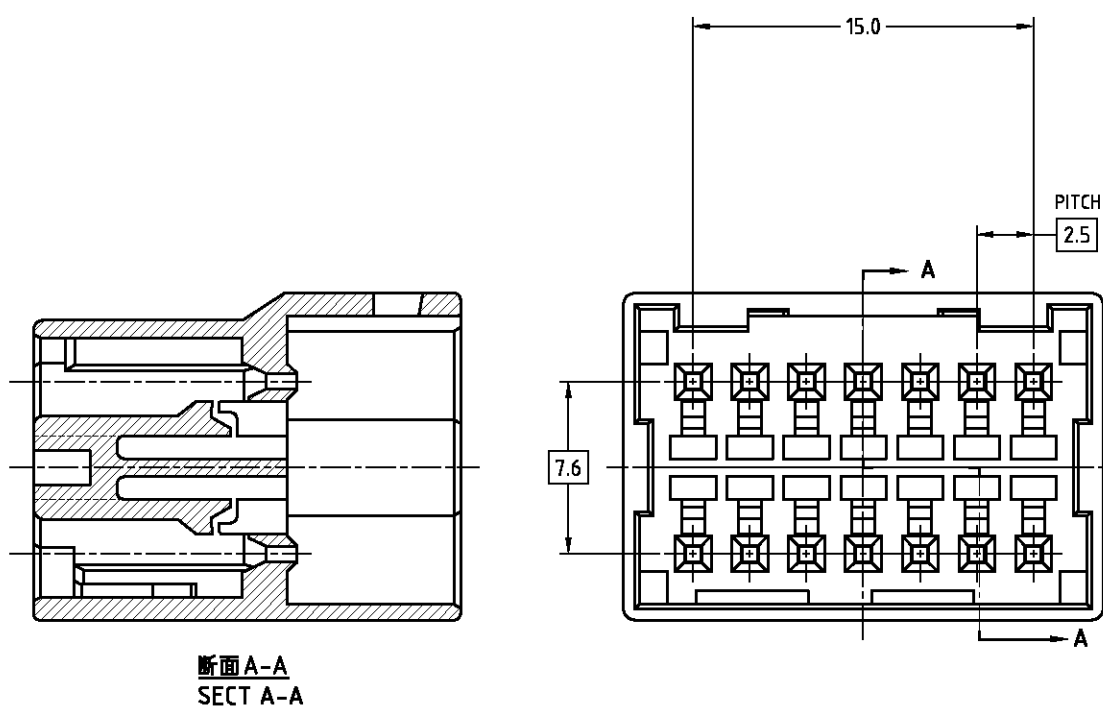
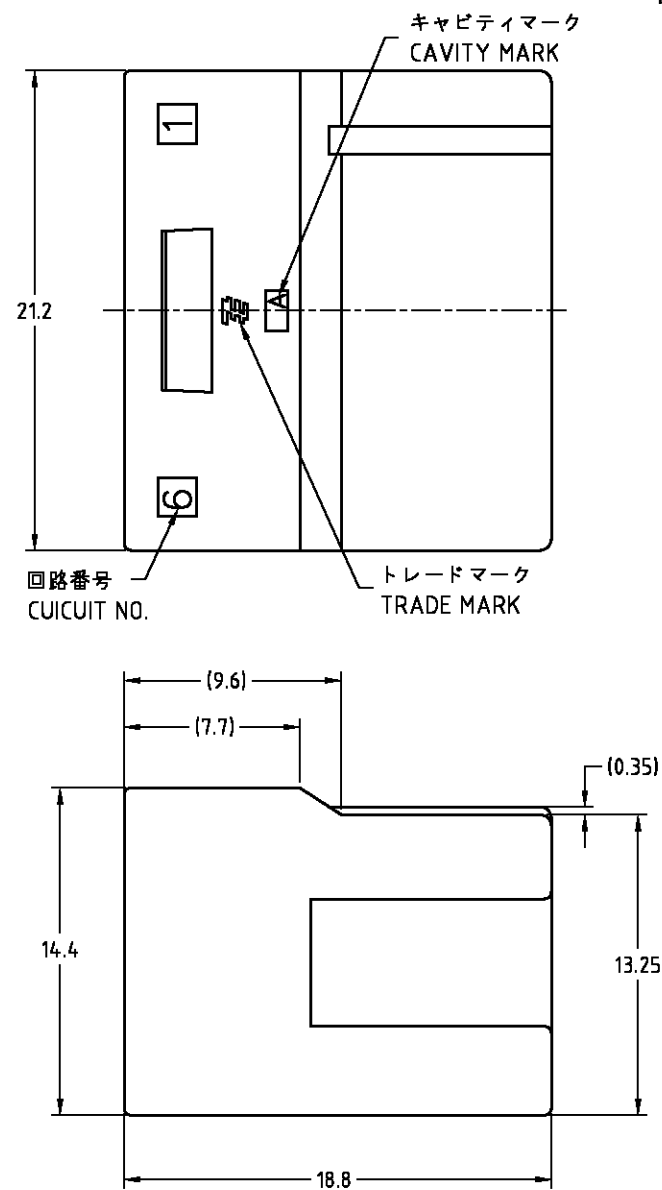


THIS DRAWING IS UNPUBLISHED. RELEASED FOR PUBLICATION
 © COPYRIGHT BY TYCO ELECTRONICS CORPORATION. ALL RIGHTS RESERVED.

LOC	DIST	REVISIONS					
J	—	P	LTR	DESCRIPTION	DATE	DWN	APVD
		A		RELEASED	29MAY'09	T.E	T.K



注記

- 1. 一般公差 : ±0.3
- 2. 材料PBTガラス強化(UL94V-0)
- 3. かん合相手製品型番
 プラグハウジング : TABLE参照のこと
 タブコンタクト : 917764,917765

NOTES

- 1. GENERAL TOLERANCE : ±0.3
- 2. MATERIAL : PBT GRASS FILLED (UL94V-0)
- 3. MATING CONN. P/N
 PLUG HOUSING : SEE TABLE
 TAB CONTACT : 917764,917765

2069905-1	TYPE A	自然色 NATURAL	2069906-1
かん合相手型番 MATING HSG P/N	キーイング形状 TYPE OF KEYING	色調 COLOR	型番 PART NUMBER

THIS DRAWING IS A CONTROLLED DOCUMENT.		DWN T.ENDO 29MAY2009	Tyco Electronics AMP K.K. Kawasaki, Japan	
DIMENSIONS: 単位: 耗 mm		CHK N.YAMASAKI 29MAY2009	NAME T.KIMURA	
TOLERANCES UNLESS OTHERWISE SPECIFIED: 一般公差		APVD T.KIMURA 29MAY2009	PRODUCT SPEC 製品規格 108-78350	
0 PLC ± 1 PLC ± 2 PLC ± 3 PLC ± 4 PLC ± ANGLES ±		APPLICATION SPEC 取付適用規格	SIZE A3	CAGE CODE 00779
MATERIAL 材料 SEE NOTE 2	FINISH 仕上	WEIGHT	DRAWING NO 番号 C-2069906	RESTRICTED TO —
CUSTOMER DRAWING			SCALE 尺度 3:1	SHEET 1 OF 1
			REV A	

单击下面可查看定价，库存，交付和生命周期等信息

[>>TE Connectivity\(泰科\)](#)