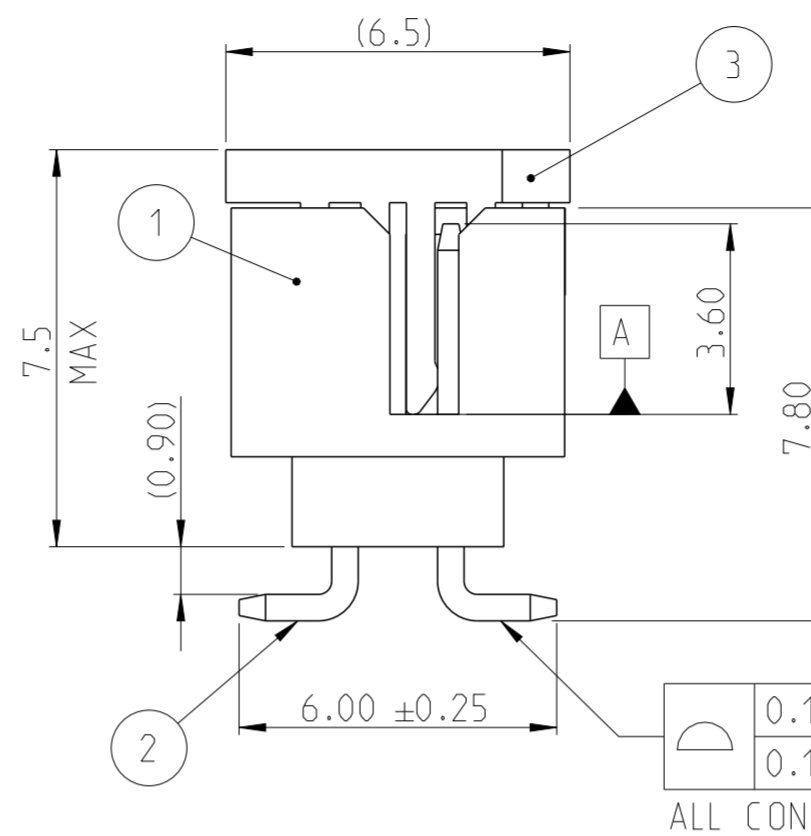
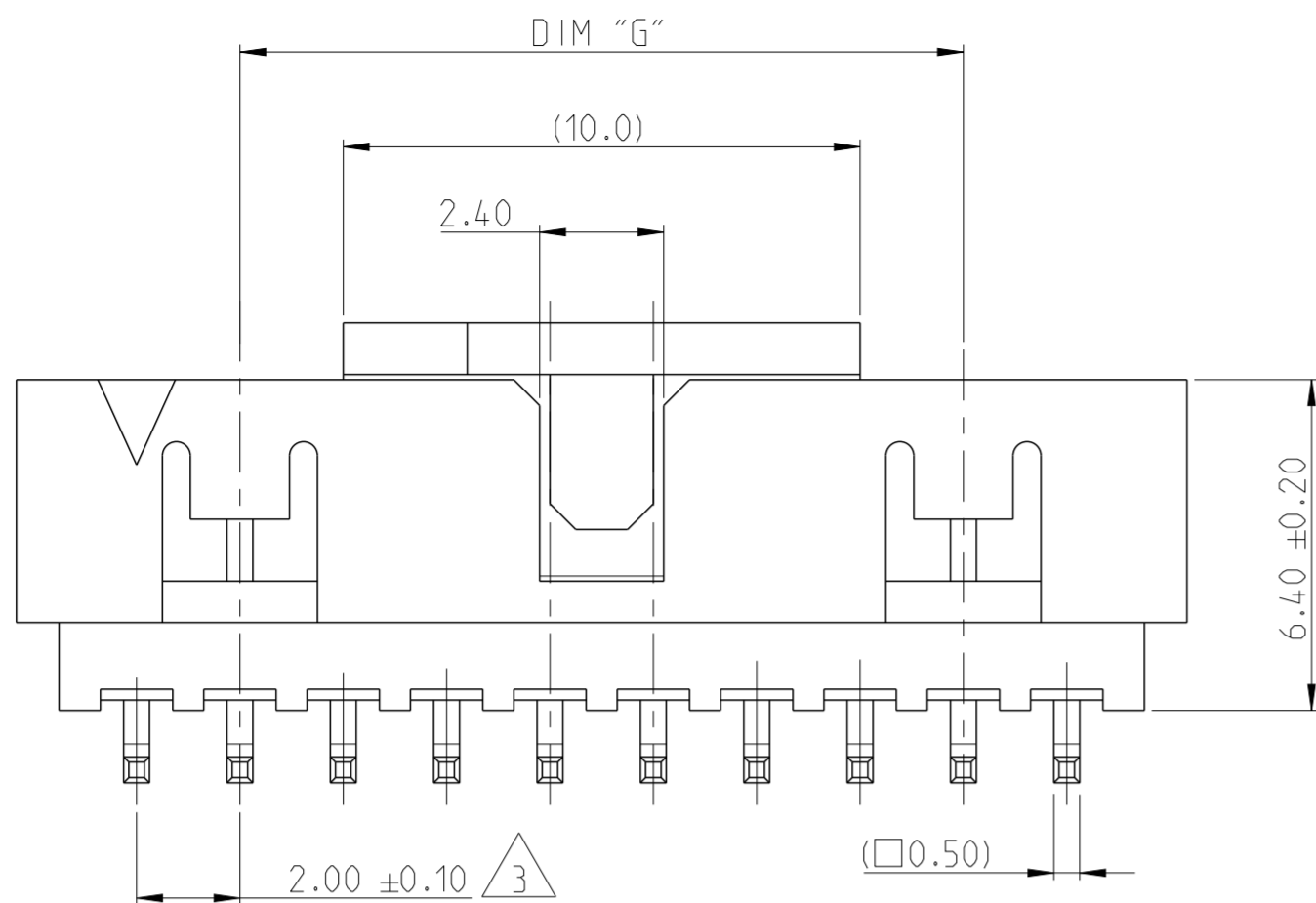


P	LTR	DESCRIPTION	DATE	DWN	APVD
A		RELEASE TO PRODUCTION	09DEC2019	AY	PS
A1		DIMENSION F REMOVED FROM PCB LAYOUT	11JUN2020	AY	PS

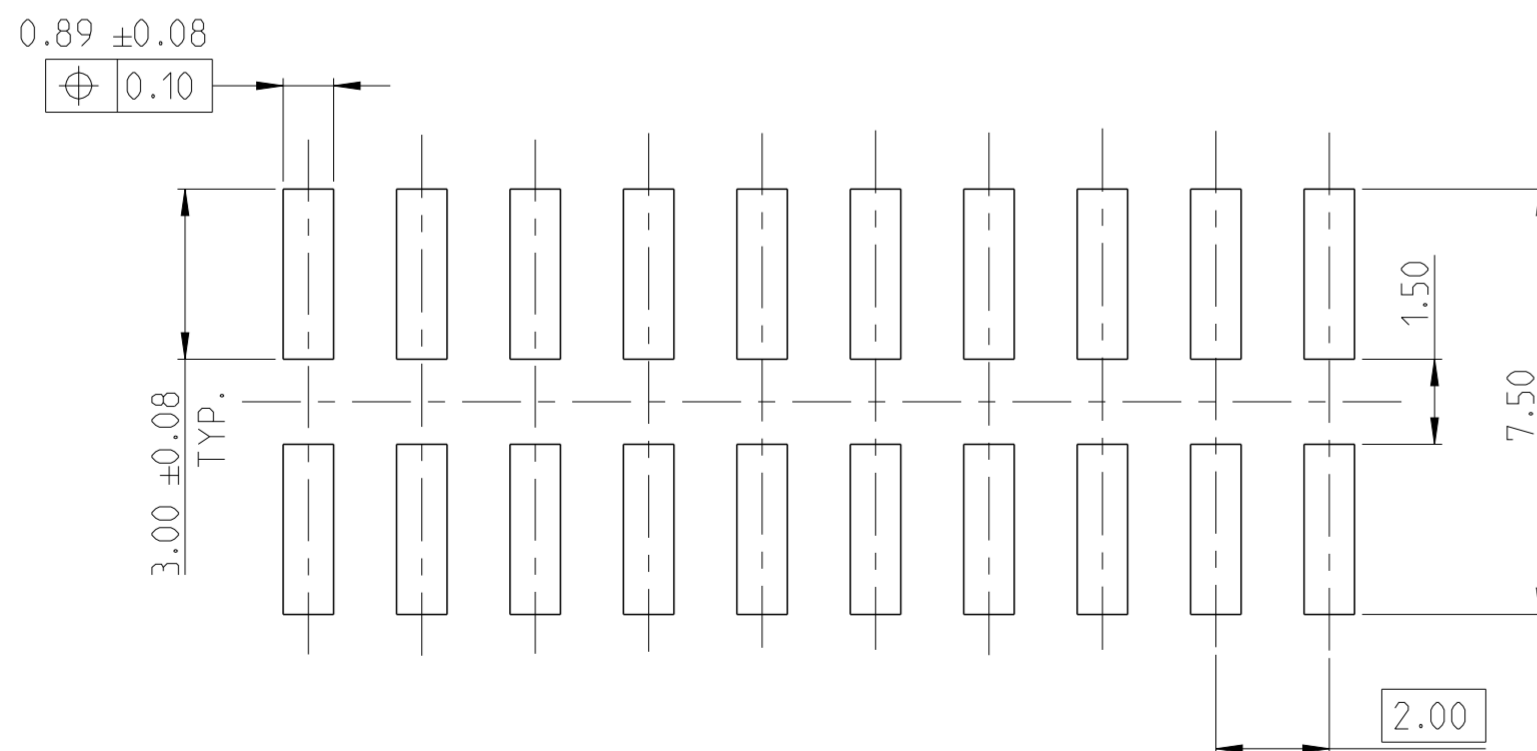
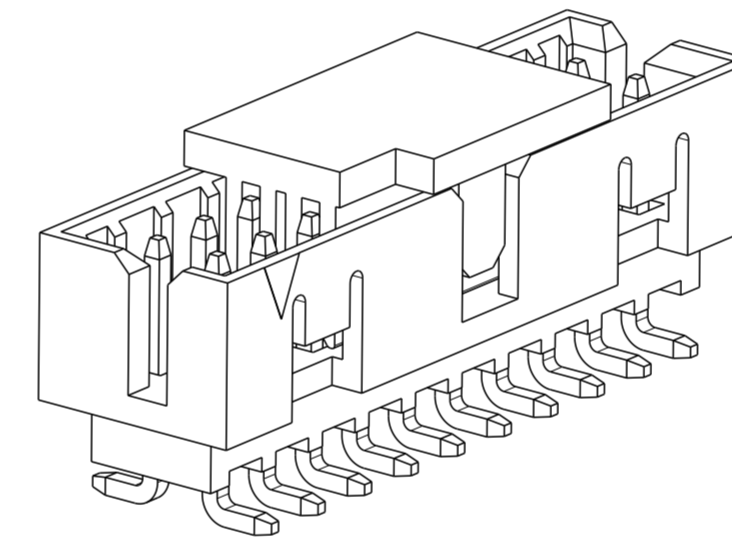
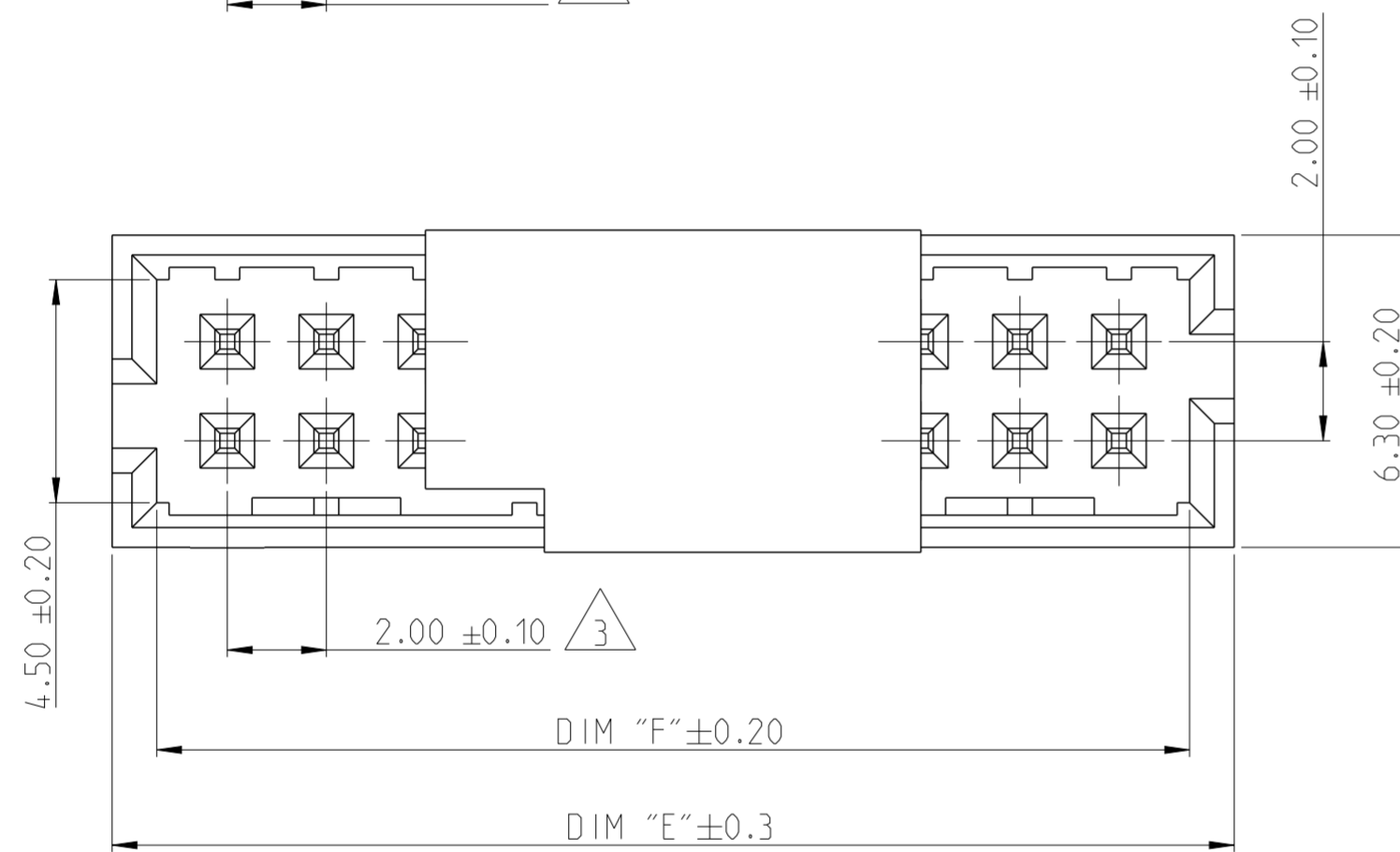


NOTES:

- MATERIAL
HOUSING & P&P CAP : HIGH TEMPERATURE THERMOPLASTIC, UL94-V0; COLOR- BLACK
CONTACT PIN : COPPER ALLOY
FINISH : MIN. 2.0 µm TIN OVER NICKEL UNDER PLATING.
 - PACKAGING: TUBE (WITH PICK AND PLACE CAP)
- △ TOLERANCE NOT CUMULATIVE.

0.10	A	14-26 POS
0.15	A	30-50 POS

ALL CONTACTS



2-2842243-0 AS SHOWN

44	50.85	52.65	50	5-2842243-0
38	44.85	46.65	44	4-2842243-4
34	40.85	42.65	40	4-2842243-0
28	34.85	36.65	34	3-2842243-4
24	30.85	32.65	30	3-2842243-0
20	26.85	28.65	26	2-2842243-6
18	24.85	26.65	24	2-2842243-4
14	20.85	22.65	20	2-2842243-0
10	16.85	18.65	16	1-2842243-6
8	14.85	16.65	14	1-2842243-4
DIM "G" DIM "F" DIM "E"			POS.	TE PN.

THIS DRAWING IS A CONTROLLED DOCUMENT.

DWN	12NOV2019
CHK	25NOV2019
APVD	27NOV2019

STE TE Connectivity	
NAME AMPMODU 2mm, SHROUDED HEADER, DUAL ROW, VERTICAL SMD, SN, TUBE WITH PICK AND PLACE CAP	
SIZE	RESTRICTED TO
A2	-
CAGE CODE	SCALE
00779	5:1
DRAWING NO	SHEET
C-2842243	1 OF 1
REV	A1

PICK AND PLACE CAP	3
CONTACT PIN	2
HOUSING	1
DESCRIPTION	ITEM NO.

DIMENSIONS:	TOLERANCES UNLESS OTHERWISE SPECIFIED:
mm	0 PLC ±
	1 PLC ±
	2 PLC ±0.25
	3 PLC ±
	4 PLC ±
	ANGLES ±2°
MATERIAL	FINISH
SEE NOTES	-

PRODUCT SPEC	108-64040
APPLICATION SPEC	114-32259
WEIGHT	-
CUSTOMER DRAWING	

单击下面可查看定价，库存，交付和生命周期等信息

[>>TE Connectivity\(泰科\)](#)