

4

3

2

1

THIS DRAWING IS UNPUBLISHED. RELEASED FOR PUBLICATION
 © COPYRIGHT BY TYCO ELECTRONICS CORPORATION. ALL RIGHTS RESERVED.

LOC	DIST	REVISED					
J	-	P	LTR	DESCRIPTION	DATE	DWN	APVD
		E		REVISED(FJB0-1135-04)	10DEC04	M.K	Y.Y

-1,-2,-3 ; AS SHOWN

SHUTTER OPENING DIMENSION

NOTE

△ MATERIAL
 HOUSING : THERMOPLASTIC, UL94V-0, BLACK
 SIGNAL CONTACT: COPPER ALLOY
 POWER CONTACT : COPPER ALLOY
 GROUND PLATE : COPPER ALLOY
 SHUTTER COVER, SPRING : STAINLESS STEEL

△ FINISH
 SIGNAL CONTACT & POWER CONTACT:
 Au PI. ON CONTACT AREA
 Sn-Pb PI. ON SOLDER AREA
 Ni UNDER PI. ALL OVER
 GROUND PLATE: 1674154-1 : TIN-PI. (REFLOW)
 1674154-2,-3 : SELECTIVE TIN-PI. (REFLOW)
 SHUTTER COVER: 1674154-1,-3 : BLACK Ni PL.
 1674154-2 : NO PLATING(SILVER COLOR)

3 APPLICABLE THICKNESS OF P.C.BOARD :1.2±0.1mm
 4 CONNECTOR TO BE MATED :1674147-1,1674147-2
 5 TRAY MATERIAL ; PS COLOR ; NATURAL
 6 DIMENSION OF CONNECTOR AND RECOMMENDED P.C-BOARD LAYOUT : SEE DRAWING NUMBER 1674142-1
 7 THE DIRECTION OF EACH CONNECTOR ON A TRAY IS REFERRED TO THIS DRAWING.
 8 GENERAL TOLERANCE : ±0.3 ±3*
 9 QUANTITY : 50EA/TRAY

注記

△ 材質
 ハウジング : 熱可塑性樹脂 UL94V-0, 黒
 シグナルコンタクト : 銅合金
 パワーコンタクト : 銅合金
 グランドプレート : 銅合金
 シャッターカバー、スプリング : ステンレス鋼

△ 仕上げ
 シグナルコンタクト & パワーコンタクト :
 ニッケル下地接点部金めっき、はんだ付け部はんだめっき
 グランドプレート : 1674154-1 : ずめっき(リフロー)
 1674154-2,-3 : 部分ずめっき(リフロー)
 シャッターカバー : 1674154-1,-3 : 黒色ニッケルめっき
 1674154-2 : めっきなし(シルバー色)

3 適用基板厚 : 1.2±0.1mm
 4 かん合相手型番 : 1674147-1,1674147-2
 5 トレイ材質 ; PS 色 ; NATURAL
 6 コネクタの寸法と基板のレイアウトは 1674142-1 を参照のこと
 7 トレイの寸法とコネクタの方向は本図を参照のこと
 8 一般公差 : ±0.3 ±3*
 9 数量 : 50EA/TRAY

BLACK	SELECTIVE TIN-PLATED(REFLOW)	1674154-3
SILVER	SELECTIVE TIN-PLATED(REFLOW)	1674154-2
BLACK	TIN-PLATED(REFLOW)	1674154-1
SHUTTER COLOR	GROUND PLATE FINISH	PARTS NUMBER

THIS DRAWING IS A CONTROLLED DOCUMENT.		DWN N.SASAME 9OCT02	tyco Tyco Electronics AMP K.K.	
DIMENSIONS: 単位: 特 MM		CHK H.SHIRAI 9OCT02	Electronics Kawasaki, Japan	
TOLERANCES UNLESS OTHERWISE SPECIFIED 一般公差		APVD Y.YAMAMOTO 9OCT02	NAME 0.6 DOCKING CONNECTOR W/SHUTTER	
0 PLC ±		PRODUCT SPEC 108-5848		
1 PLC ±		APPLICATION SPEC 取付適用規格		
2 PLC ±		SIZE A2		
3 PLC ±		CAGE CODE 00779		
4 PLC ±		DRAWING NO 1674154		
ANGLES ±		RESTRICTED TO		
FINISH 仕上		WEIGHT 3.0 g		
MATERIAL 材料		SCALE 5:1 SHEET 1 OF 3 REV E		
		CUSTOMER DRAWING		

AMP 1471-9 REV 31MAR2000

Downloaded From Oneyac.com

25SEP2002 2:44pm FJ033763

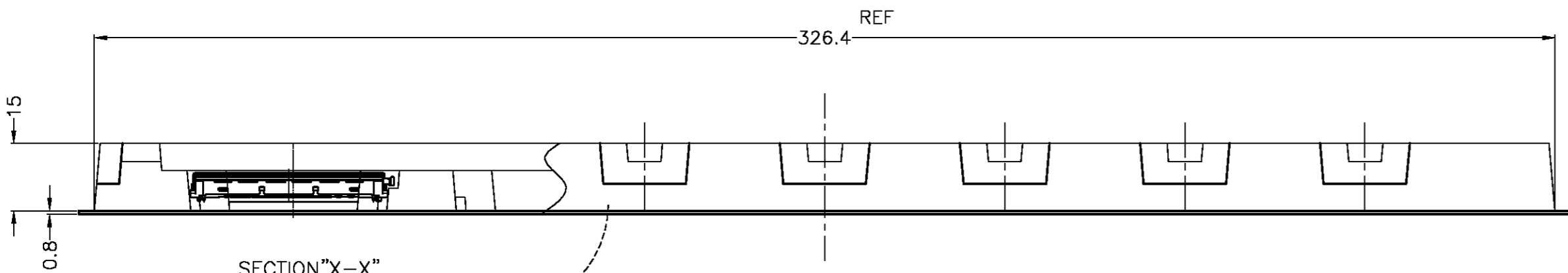
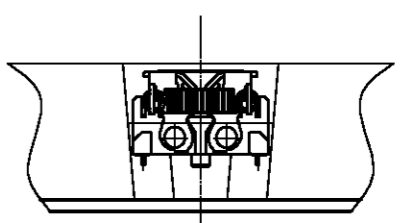
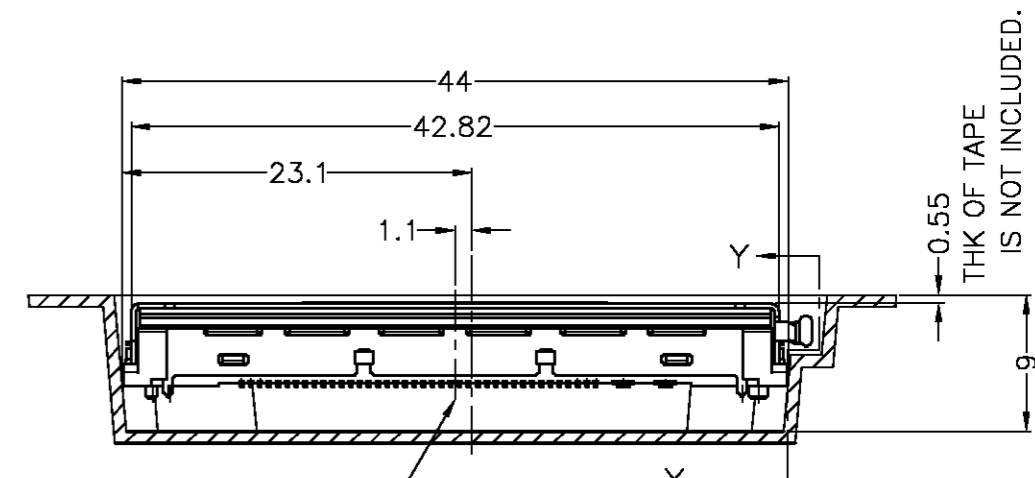
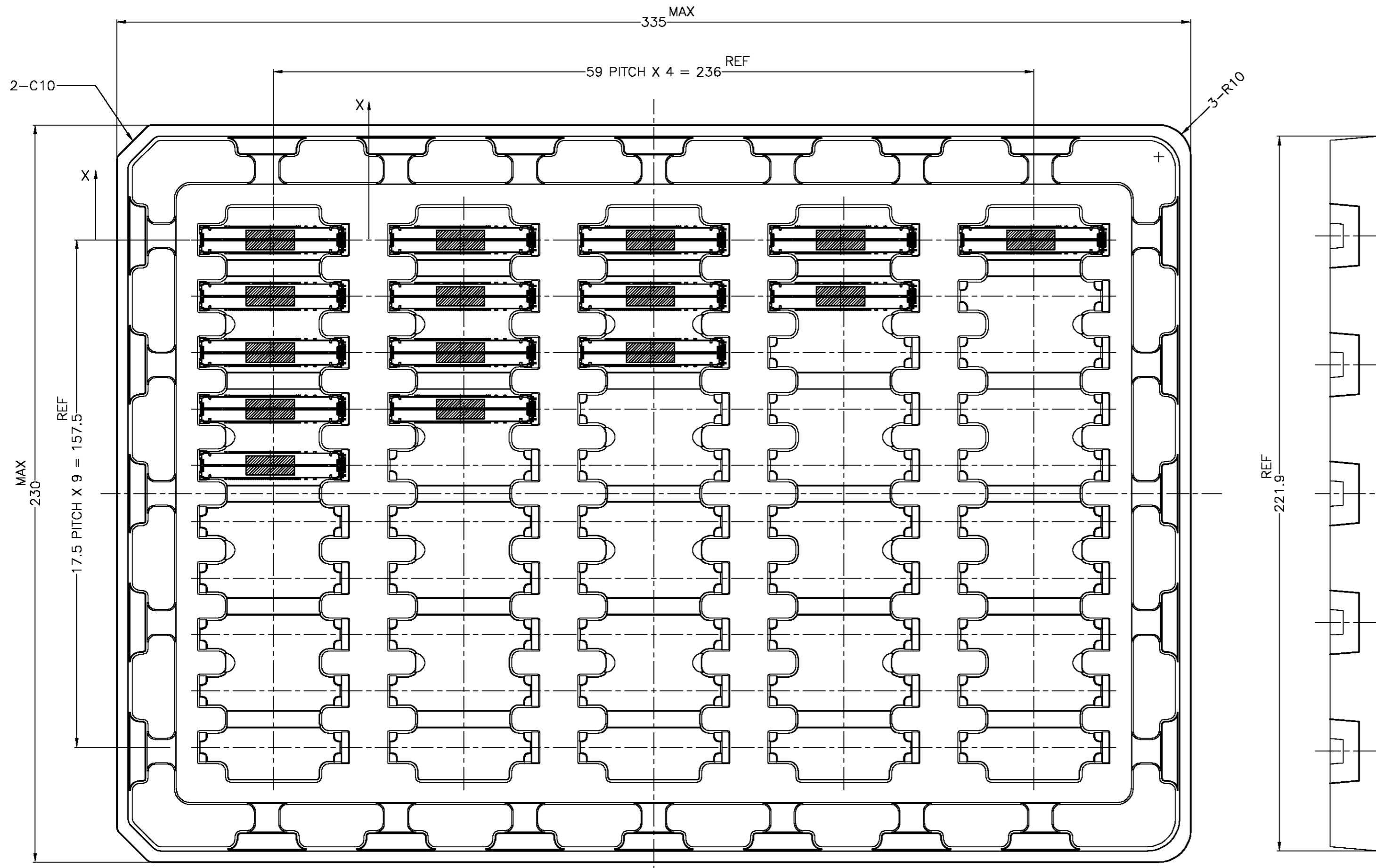
1674154

A

THIS DRAWING IS UNPUBLISHED. RELEASED FOR PUBLICATION
 © COPYRIGHT BY TYCO ELECTRONICS CORPORATION. ALL RIGHTS RESERVED.

LOC		DIST		REVISIONS			
P	LTR	DESCRIPTION	DATE	DWN	APVD		
-	-	SEE SHEET 1	-	-	-		

SEMI HARD TRAY ASSY



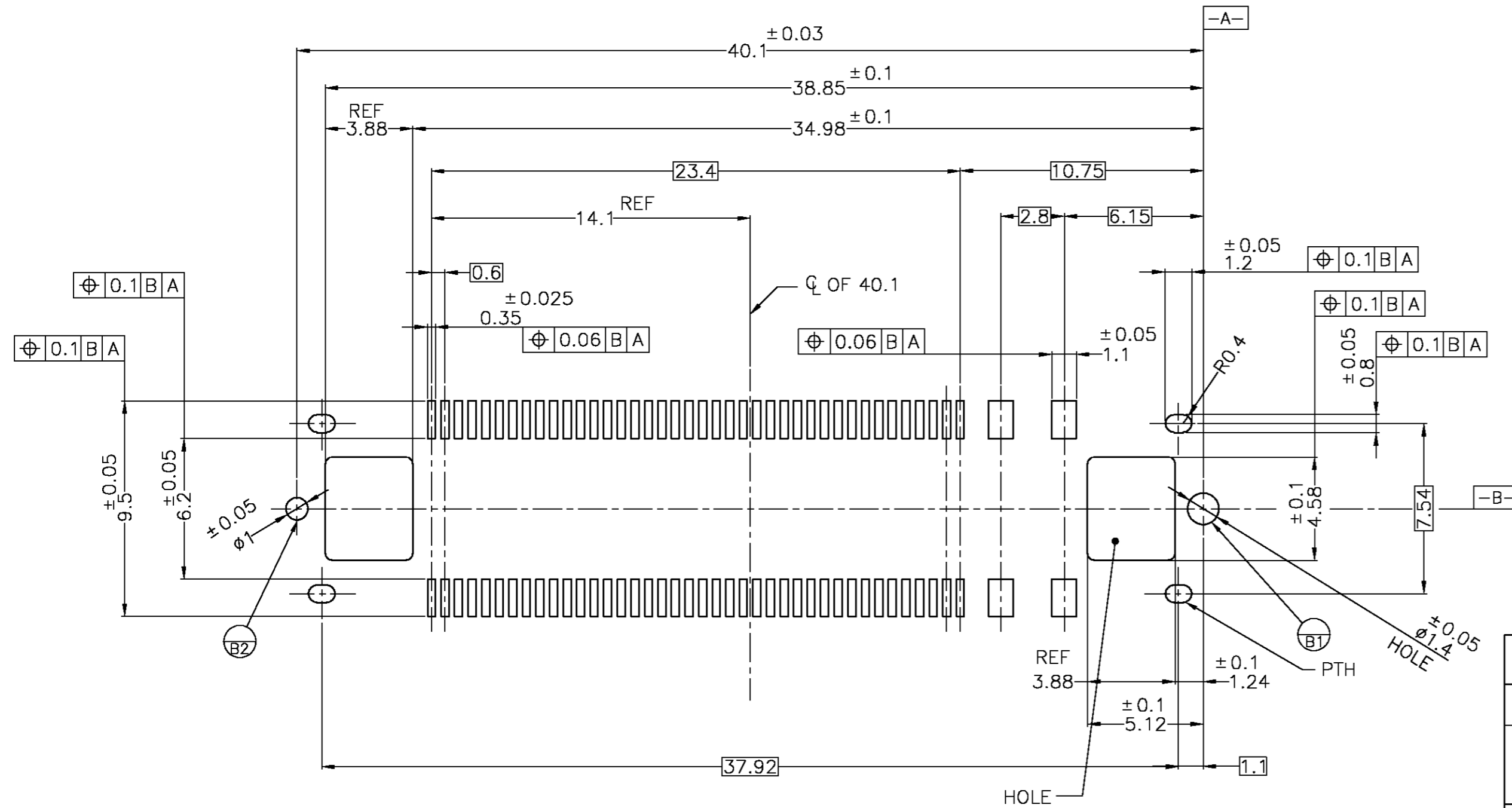
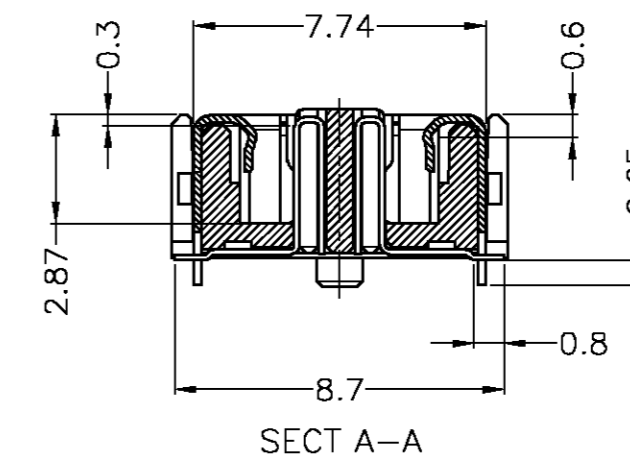
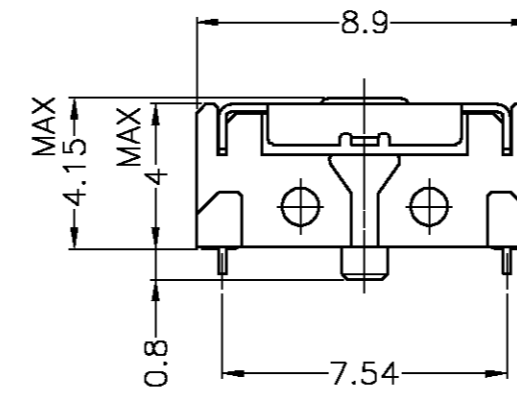
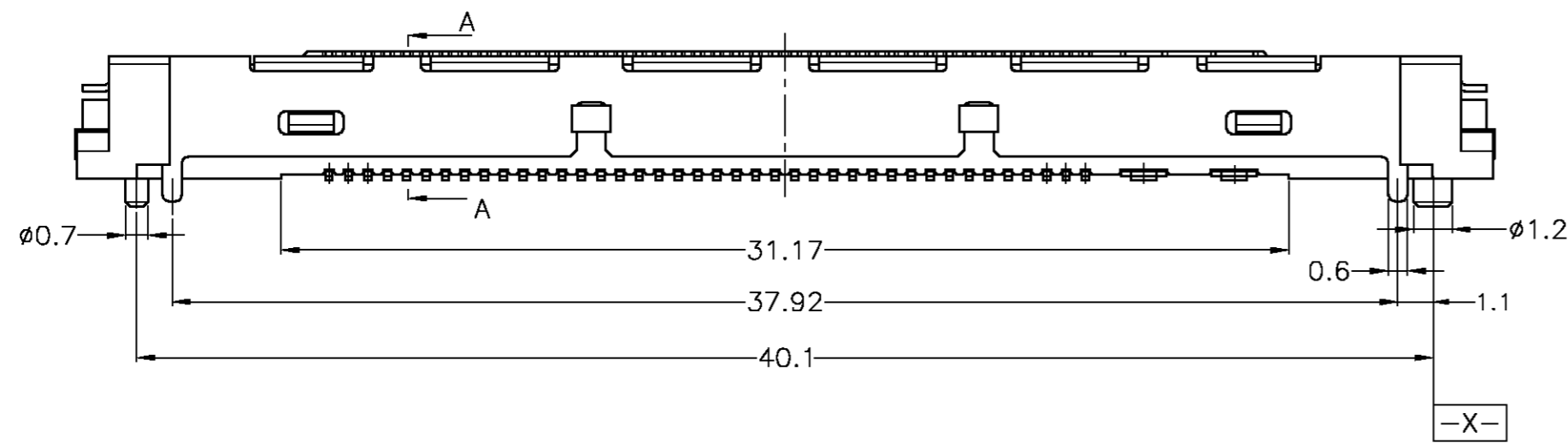
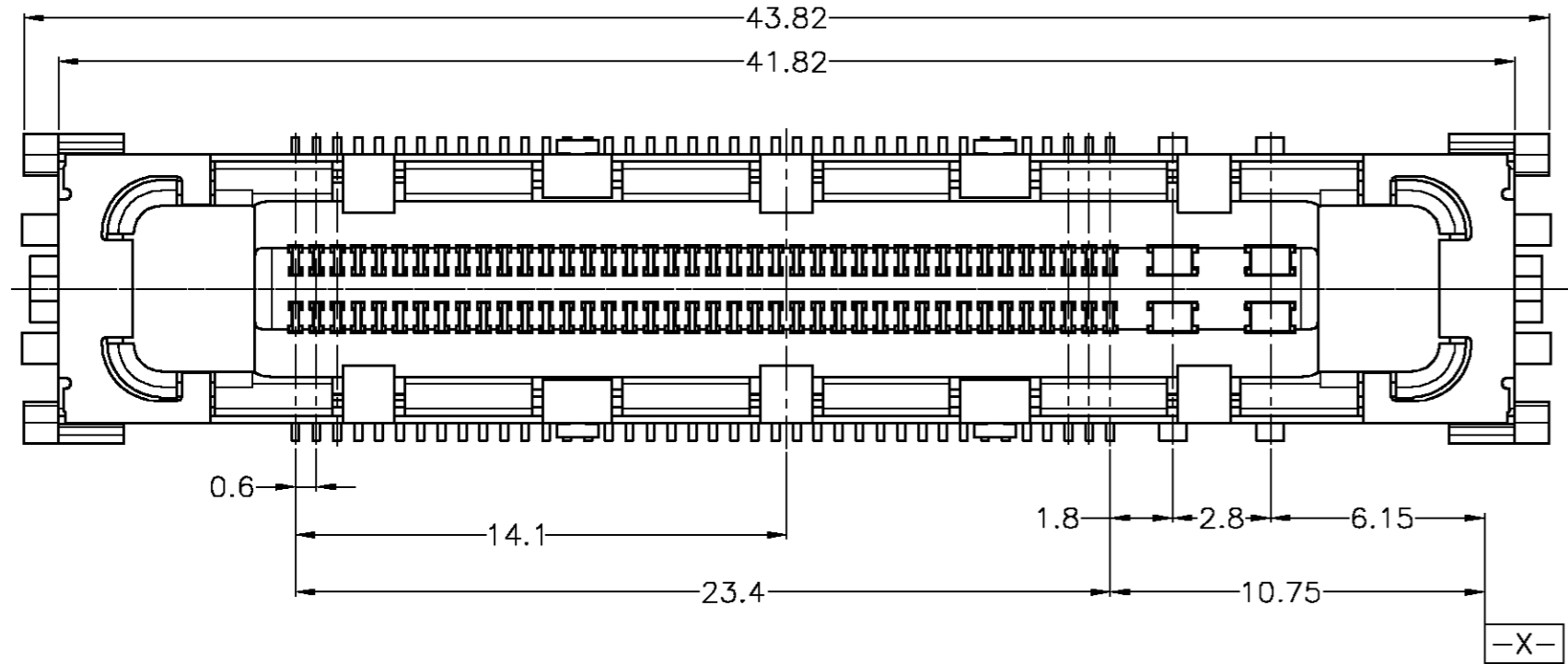
THIS DRAWING IS A CONTROLLED DOCUMENT.		DWN	Tyco Electronics AMP K.K. Kawasaki, Japan	
DIMENSIONS: 单位: 特 MM		CHK	NAME 名称	
TOLERANCES UNLESS OTHERWISE SPECIFIED 一般公差		APVD	0.6 DOCKING CONNECTOR W/SHUTTER	
0 PLC ±		PRODUCT SPEC 製品規格	PLUG 80P + POWER 4P	
1 PLC ± -		APPLICATION SPEC 取付適用規格	SIZE A2	CAGE CODE 00779
2 PLC ± -		WEIGHT	DRAWING NO 番号 C=1674154	
3 PLC ± -		CUSTOMER DRAWING	SCALE 尺庫 FREE	SHEET 2 OF 3
4 PLC ± -				REV E
ANGLES ± -				
FINISH 仕上				
MATERIAL 材料				

1674154

THIS DRAWING IS UNPUBLISHED. RELEASED FOR PUBLICATION
 © COPYRIGHT BY TYCO ELECTRONICS CORPORATION. ALL RIGHTS RESERVED.

LOC		DIST		REVISIONS			
P	LTR	DATE	DWN	APVD	DESCRIPTION		
-	-	-	-	-	SEE SHEET 1		

WITHOUT SHUTTER



◎ RECOMMENDED P.C. BOARD LAYOUT

THIS DRAWING IS A CONTROLLED DOCUMENT.		DWN	tyco Electronics		Tyco Electronics AMP K.K. Kawasaki, Japan
DIMENSIONS: 単位: 特 MM		CHK	NAME 名称		
TOLERANCES UNLESS OTHERWISE SPECIFIED 一般公差		APVD	PRODUCT SPEC 製品規格		
0 PLC ±		APPLICATION SPEC 取付適用規格		DRAWING NO 番号	
1 PLC ±		WEIGHT		RESTRICTED TO	
2 PLC ±		CUSTOMER DRAWING		SCALE	
3 PLC ±		SCALE		SHEET	
4 PLC ±		SCALE		REV	
ANGLES ±		SCALE		REV	
FINISH 仕上		SCALE		REV	

NAME 名称		0.6 DOCKING CONNECTOR W/SHUTTER		PLUG 80P + POWER 4P	
SIZE	CAGE CODE	DRAWING NO	RESTRICTED TO		
A2	00779	C=1674154	-		
SCALE		SHEET		REV	
FREE		3 OF 3		E	

1674154

单击下面可查看定价，库存，交付和生命周期等信息

[>>TE Connectivity\(泰科\)](#)