

4

3

2

1

THIS DRAWING IS UNPUBLISHED.

RELEASED FOR PUBLICATION

© COPYRIGHT 19

ALL RIGHTS RESERVED.

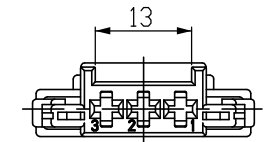
LOC DS

DIST -

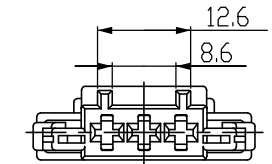
REVISIONS

P	LTR	DESCRIPTION	DATE	DWN	APVD
	A	RELEASED	23.FEB'11	IS	HG

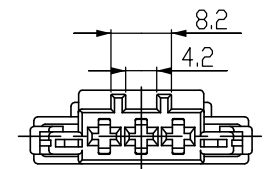
CODING
SCLAE 1:1



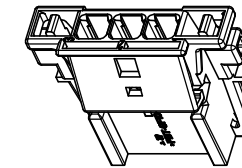
CODE "A"



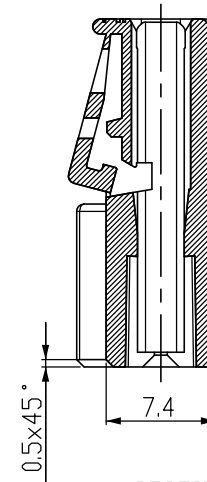
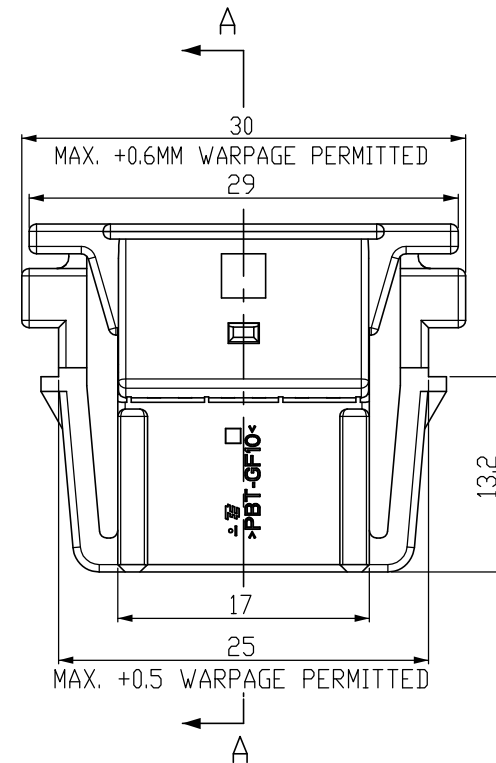
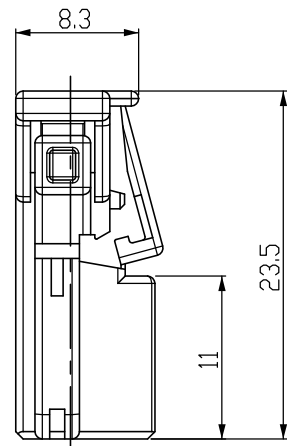
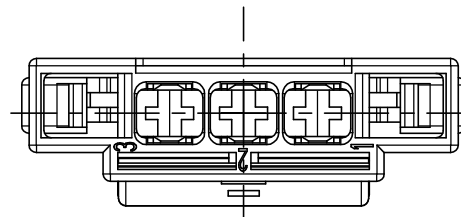
CODE "B"



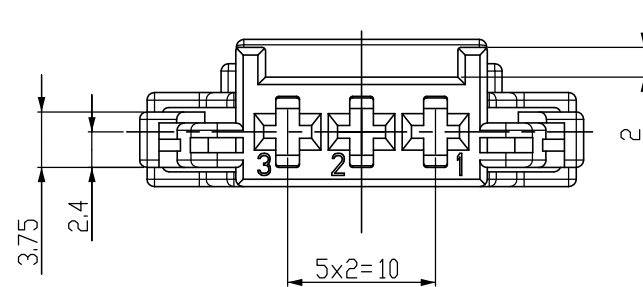
CODE "C"



3D VIEW
SCALE 1:1



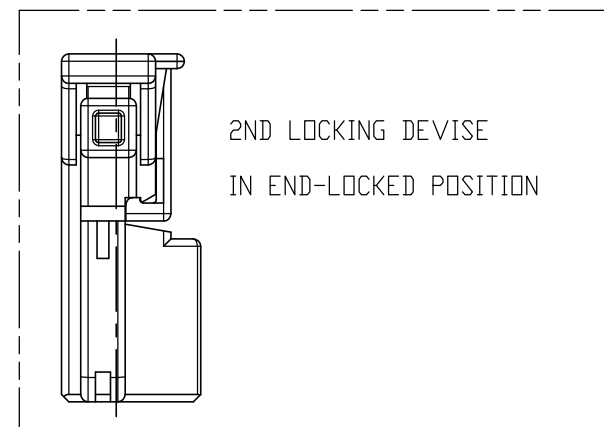
SECTION A-A




NOTE

- GENERAL TOLERANCES: ±0.3, ±1°
- CAVITY ACCORDING TO TE MCP 2.8MM CONTACT STANDARD
TE DRAWING NO: 1355036
MAX. WIRE SIZE RANGE 2.5MM FLR PERMITTED
- ACCORDING TO INTERFACE DRAWING
TE SPEC NO: 114-18085-010, SHEET 3 OF 5

"A"	BLACK	PBT-GF10	PLUG HSG	2109032-2
CODE	COLOR	MATERIAL	DESCRIPTION	P/N



2ND LOCKING DEVICE
IN END-LOCKED POSITION

THIS DRAWING IS A CONTROLLED DOCUMENT.		DWN IS WOO	 TE Connectivity											
DIMENSIONS: mm		CHK KT LIM												
TOLERANCES UNLESS OTHERWISE SPECIFIED:		APVD HG CHD												
<table border="1"> <tr><td>0 PLC</td><td>±-</td></tr> <tr><td>1 PLC</td><td>±0.5</td></tr> <tr><td>2 PLC</td><td>±0.13</td></tr> <tr><td>3 PLC</td><td>±0.013</td></tr> <tr><td>4 PLC</td><td>±0.0001</td></tr> <tr><td>ANGLES</td><td>±</td></tr> </table>		0 PLC			±-	1 PLC	±0.5	2 PLC	±0.13	3 PLC	±0.013	4 PLC	±0.0001	ANGLES
0 PLC	±-													
1 PLC	±0.5													
2 PLC	±0.13													
3 PLC	±0.013													
4 PLC	±0.0001													
ANGLES	±													
MATERIAL -	FINISH -	PRODUCT SPEC -	MCP 2.8MM 3P PLUG HSG											
		APPLICATION SPEC -	SIZE A3	CAGE CODE 00779	DRAWING NO C-2109032									
		WEIGHT -	RESTRICTED TO -											
		CUSTOMER DRAWING	SCALE 2:1	SHEET 1 OF 1	REV A									

单击下面可查看定价，库存，交付和生命周期等信息

[>>TE Connectivity\(泰科\)](#)