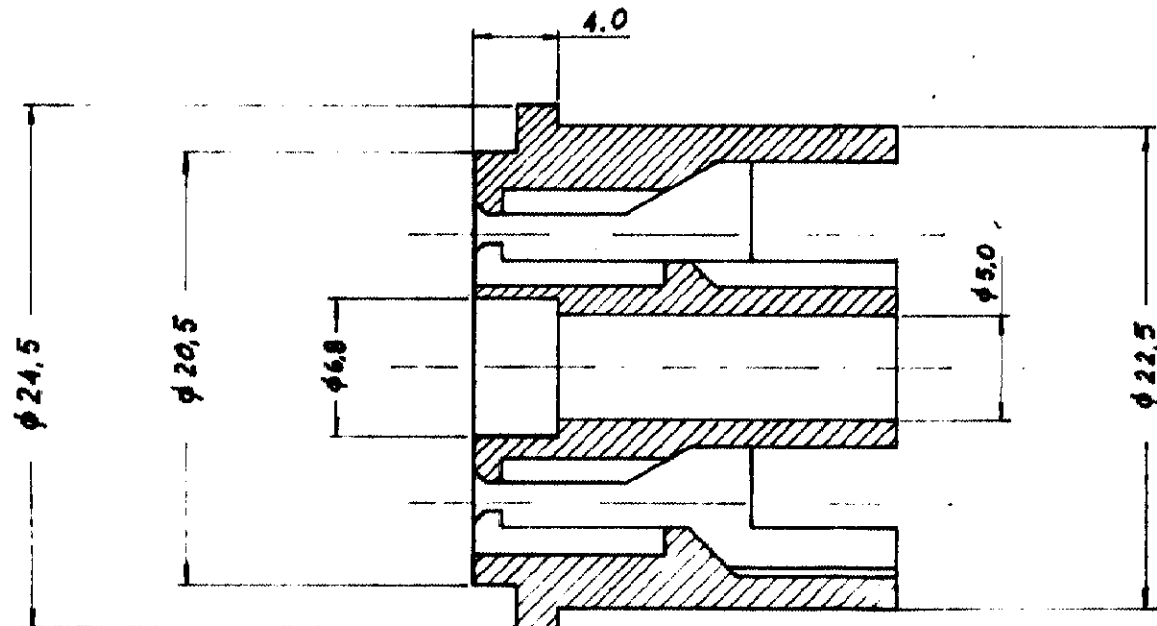
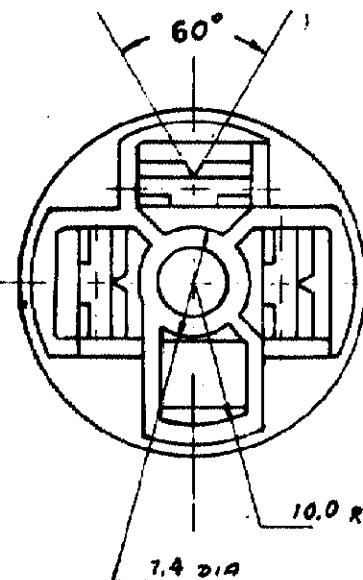
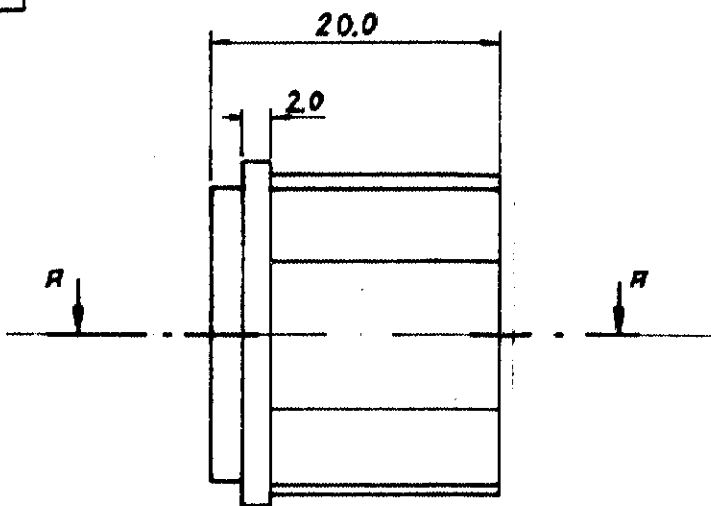
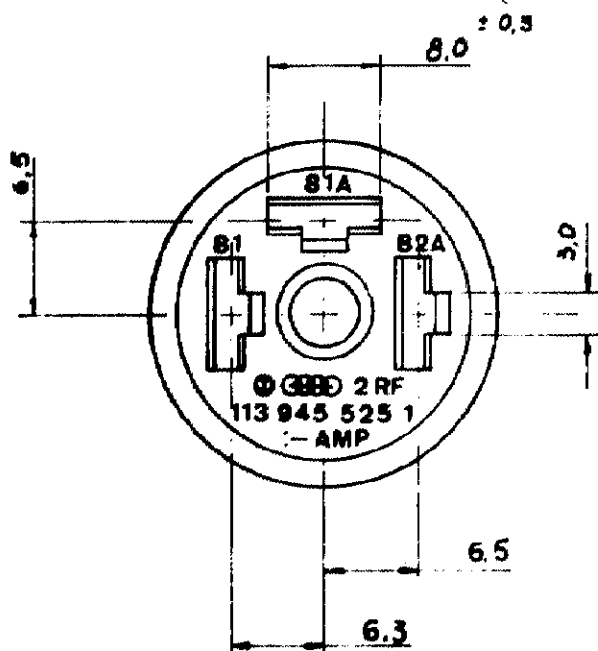


© Copyright 1975 by AMP DO BRASIL - S. P. All International Rights Reserved.
AMP Incorporated products covered by U. S. and Foreign patents and/or patents pending

REVISIONS					
P	ZONE	LTR	DESCRIPTION	DATE	APPROVED
1					



SECCÃO 'A-A'
ESCALA 3:1

NATURAL	POLIAMIDA 6/6	626 311-0
COLOR	MATERIAL	PART NO

UNLESS OTHERWISE SPECIFIED DIMENSIONS ARE IN INCHES. TOLERANCES ON: DECIMALS ± 0,2mm ANGLES ±	CONTRACT NO
	DR <i>K. Ribeiro</i> 16/10/75
	CHK
	APPD
	APPO
MATERIAL	VEJA TABELA
FINISH	
DSGN APPD	
OTHER APPD	

AMP AMP DO BRASIL S. Paulo - Brasil	
NAME 3 WAY .250 FASTIN-ON REC. HSG.	
SIZE B	LOC AP. DRAWING NO 626 311
SCALE 2:1	SHEET 1-1 REV. C

单击下面可查看定价，库存，交付和生命周期等信息

[>>TE Connectivity\(泰科\)](#)