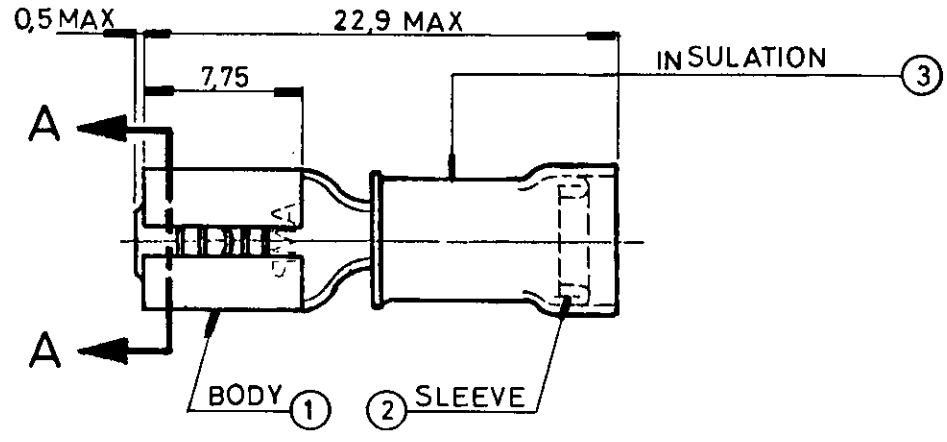


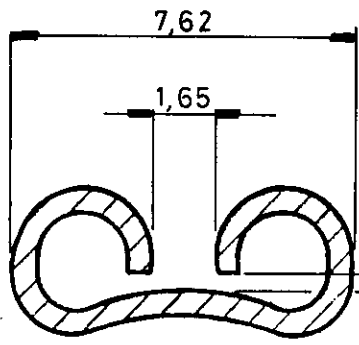
Dwg. No. C-42599
 PLANO N° C-42599

THIS INFORMATION IS CONFIDENTIAL AND IS DISCLOSED TO YOU ON THE CONDITION THAT NO FURTHER DISCLOSURE IS MADE TO ANY OTHER PERSONNEL WITHOUT WRITTEN AUTHORIZATION FROM AMP S.A. ARGENTINA

ESTA INFORMACION ES CONFIDENCIAL Y ES ENTREGADA A USTED A CONDICION QUE LA COMPAÑIA SUSCRIBIDA NUNCA NEESESAVIO SINO COMO DOCUMENTO CONFIDENTIAL Y SIN QUE HAYA AUTORIZACION ESCRITA DE AMP S.A. ARGENTINA



SECTION "A-A"
 ROTATED 90°



FIT TAB 0,8 ± 0,025

CUSTOMER DWG
 REF. ONLY

LOC	AN	42599-2		3	PVC, RED COLOR	1
DIST				2	COPPER, TIN PLATED	1
				1	BRASS, TIN PLATED	1
		P/N	ITEM	MATERIAL		QTY
				DIVN / DIBUJO	CHK / CONTROL	APVD / APROBO
				M. JARA	May '95	MAY 95
				DIMENSIONS / MEDIDAS		
				TOLERANCES UNLESS OTHERWISE SPECIFIED / TOLERANCIAS SALVO OTRA INDICACION		
				0 PLC / LUG 1		AMP AMP S.A. ARGENTINA C.I.Y.F.
				1 PLC / LUG 1		
				2 PLC / LUG 1		
				3 PLC / LUG 1		
				4 PLC / LUG 1		
				TOL. GRAL ±0,2		
				NAME / NOMBRE		
				RECEPTACLE		
				PIDG 22-18 FASTON		
				SCALE / ESCALA	SIZE / TALL	DRAWING N° / PLANO N°
				N.T.S.	A4	C-42599
				SHEET / HOJA	OF / DE	REV
				1	1	Y

THIS DRAWING IS A CONTROLLED DOCUMENT FOR AMP S.A. ARGENTINA. IT IS SUBJECT TO CHANGE AND THE CONTROLLING ENGINEERING ORGANIZATION SHOULD BE CONTACTED FOR THE LATEST REVISION. ESTE PLANO ES UN DOCUMENTO CONTROLADO POR AMP S.A. ARGENTINA. ESTA SUJETO A CAMBIOS Y HAY QUE CONTACTAR AL DEPT. DE INGENIERIA POR LA ULTIMA REVISION.

单击下面可查看定价，库存，交付和生命周期等信息

[>>TE Connectivity\(泰科\)](#)