

THIS DRAWING IS UNPUBLISHED.

RELEASED FOR PUBLICATION

ALL RIGHTS RESERVED.

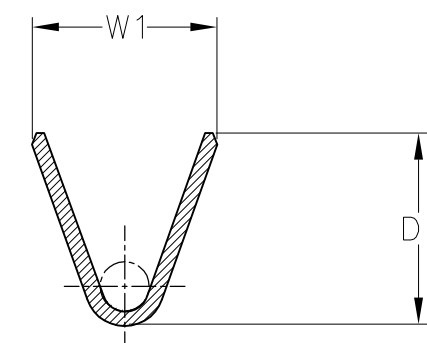
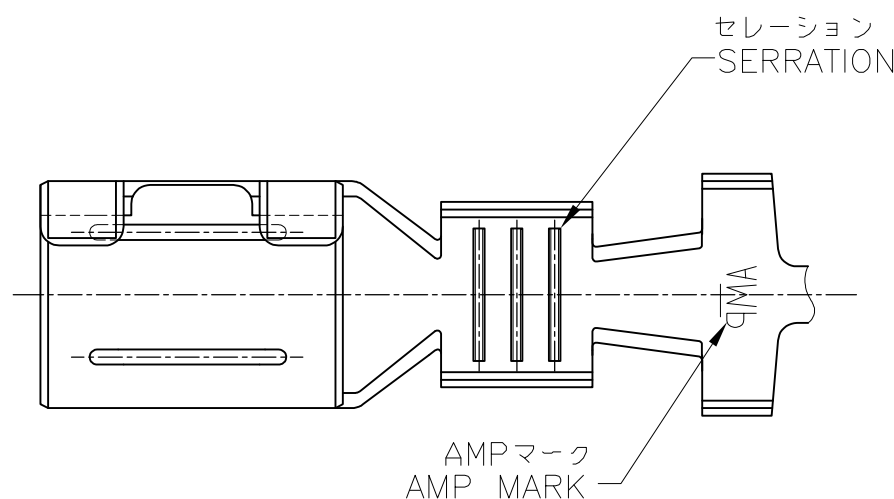
© COPYRIGHT - By -

LOC J DIST -

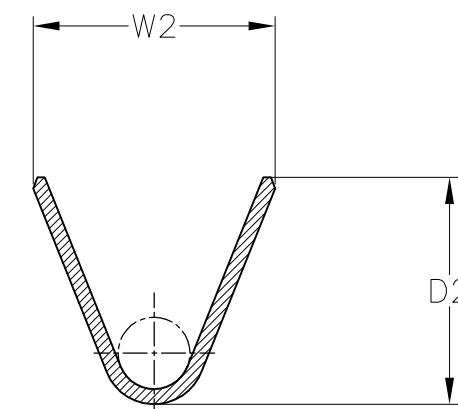
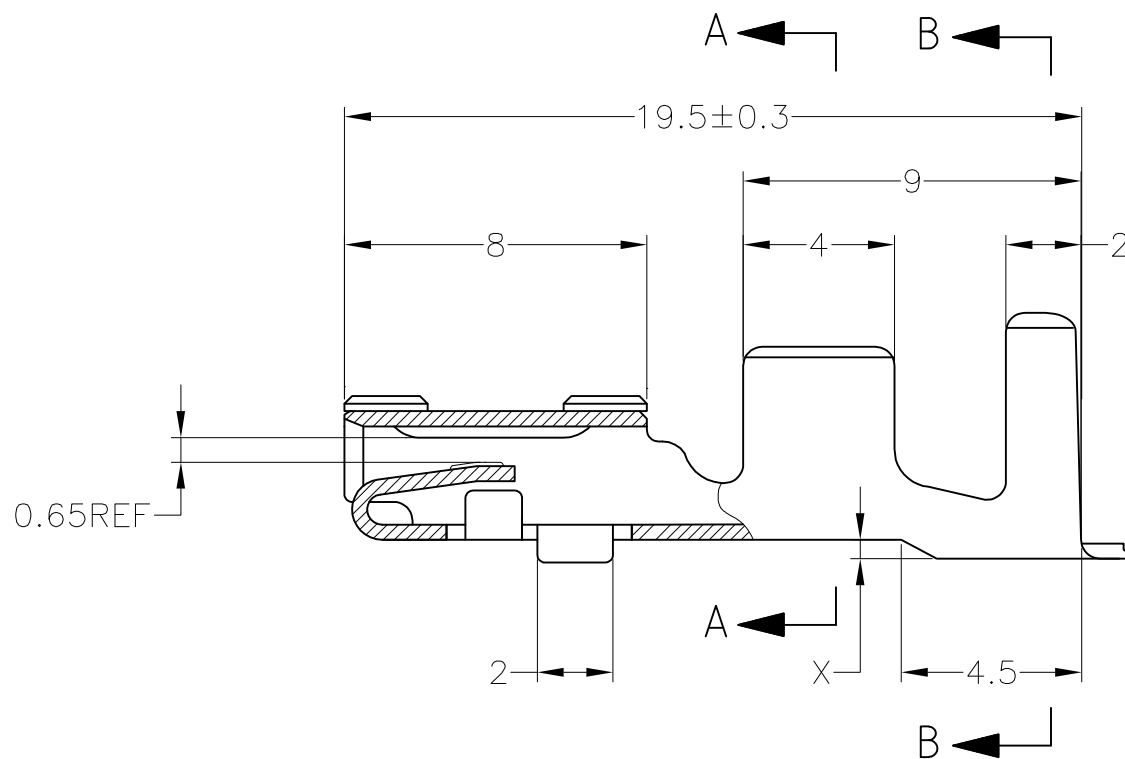
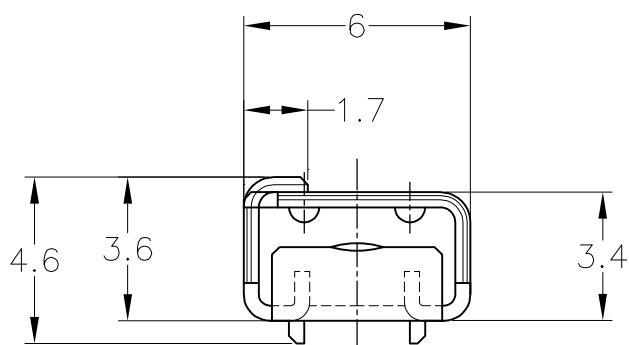
P LTR

REVISIONS
変更
DESCRIPTION
REVISED PER ECO-11-005140

DATE 28MAR11 DWN RK APVD HMR



A-A



B-B

1. APPLIED TAB CONTACT: 175087-1 (M), 175088-1 (L)

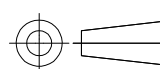
1. 適合タブコンタクト: 175087-1 (M), 175088-1 (L)

2~3	5.5	4.7	6.9	4.9	0.8	Pre Tin	BRASS 0.4t	175091-1
0.5~1.25	4.3	3.4	5.7	3.6	0.6	Pre Tin	BRASS 0.4t	175090-1
WIRE RANGE (mm ²)	D2	D1	W2	W1	X	FINISH	MATERIAL	PART NUMBER

THIS DRAWING IS A CONTROLLED DOCUMENT.

DIMENSIONS: 単位: 耗 mm

TOLERANCES UNLESS OTHERWISE SPECIFIED: 一般公差



0 PLC	± -
1 PLC	± -
2 PLC	± -
3 PLC	± -
4 PLC	± -
ANGLES	± -

MATERIAL 材料 SEE TABLE

FINISH 仕上 SEE TABLE

DWN M.SUGAWARA 15DEC06
 CHK T.SHINOHARA 15DEC06
 APVD K.BETSUI 15DEC06
 PRODUCT SPEC 製品規格
 APPLICATION SPEC 取付適用規格
 114-5126
 WEIGHT -

STE TE Connectivity

187 SERIES SEALED CONNECTOR RECEPTACLE CONTACT

NAME 名称
 SIZE A3 CAGE CODE 00779 DRAWING NO 番号 C-175090 RESTRICTED TO -

TOLERANCES UNLESS OTHERWISE SPECIFIED: 一般公差

10 _±	± 0.2
30 _± > 10	± 0.25
100 _± > 30	± 0.3
ANGLE	± 3°

CUSTOMER DRAWING

SCALE 尺度 5:1 SHEET 1 OF 1 REV P

单击下面可查看定价，库存，交付和生命周期等信息

[>>TE Connectivity\(泰科\)](#)