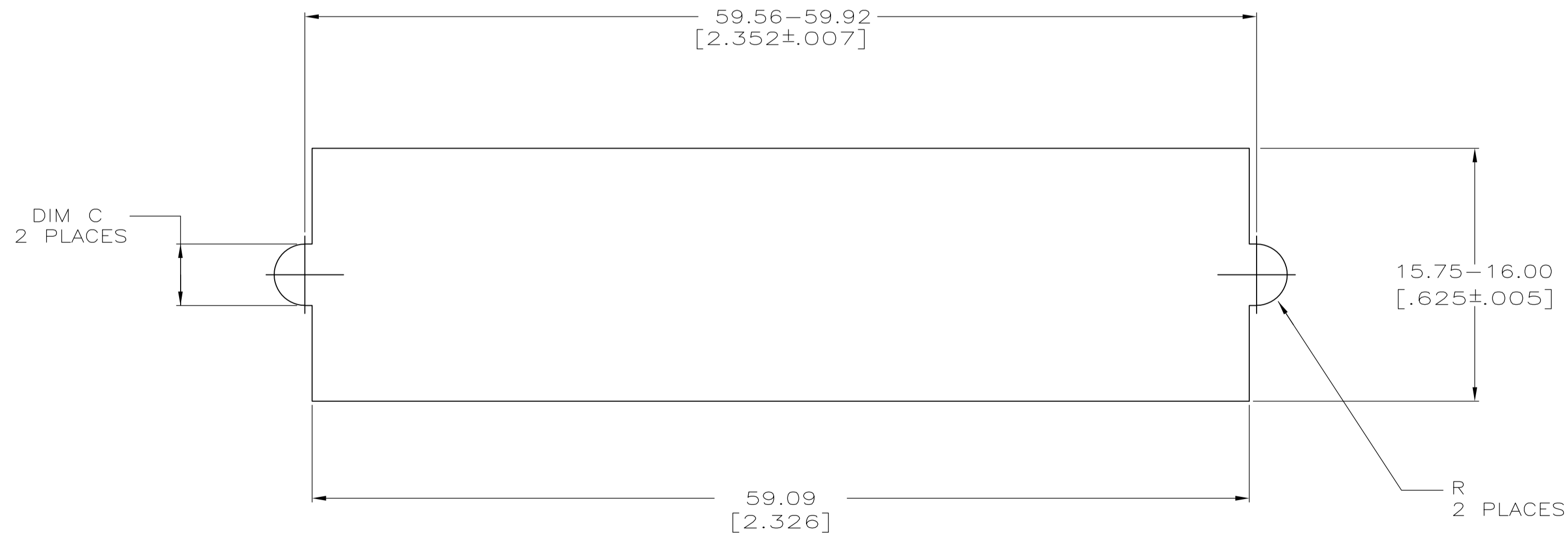
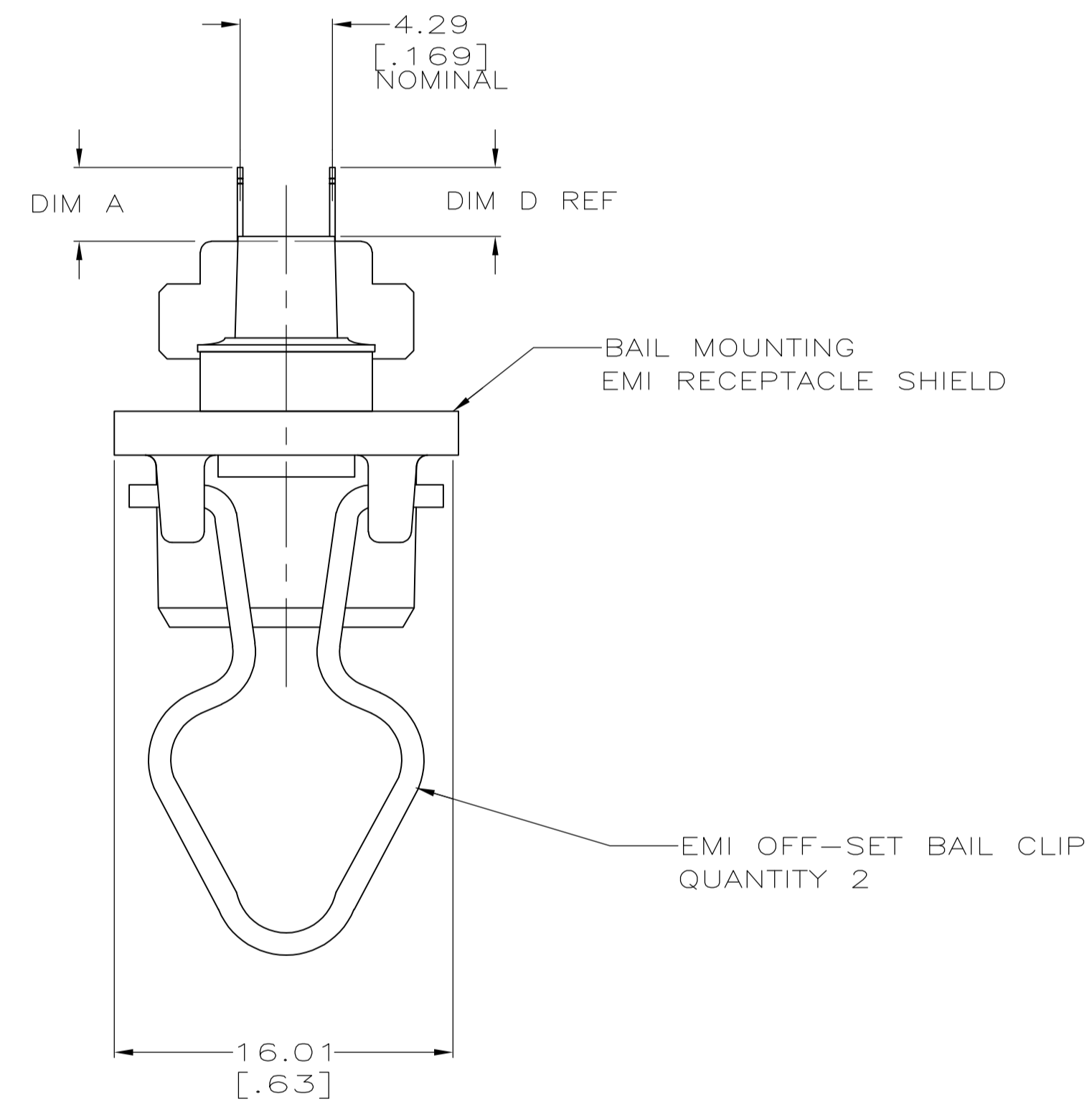
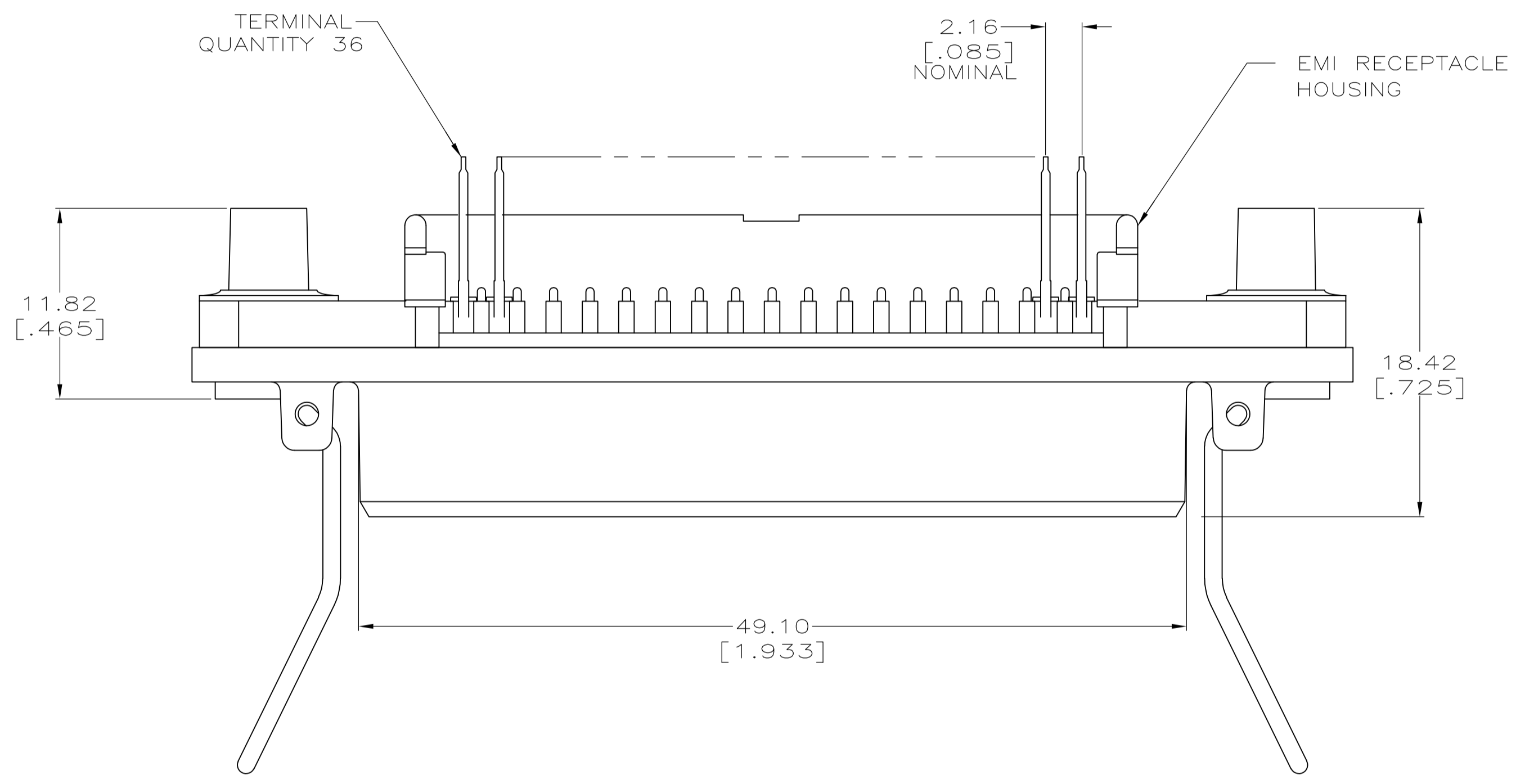
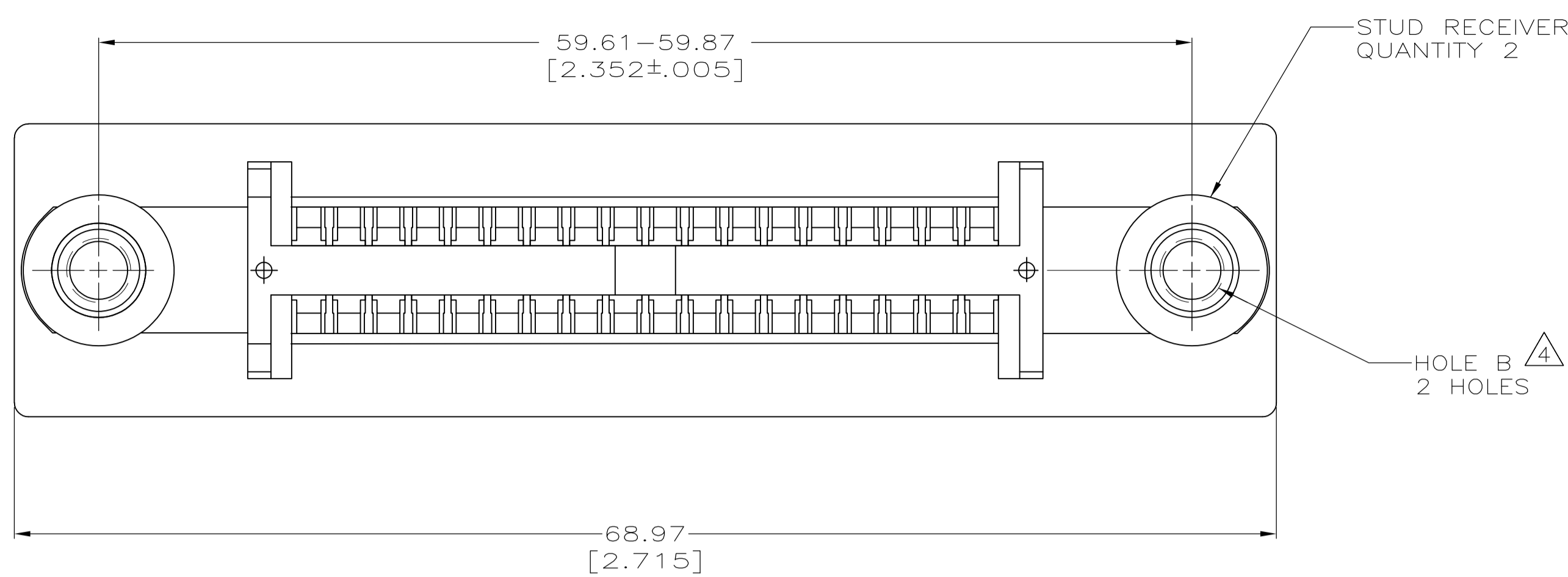


LOC		DIST		REVISIONS			
P	LTR	DESCRIPTION	DATE	DWN	APPD		
B		REVISED PER ECO-08-007327	22JUL08	BM	WM		



SUGGESTED REAR PANEL CUTOUT DIMENSIONS

- 1. DIMENSIONS ARE MAXIMUM UNLESS OTHERWISE SPECIFIED.
- 2. THE CONTACT SURFACES OF THE TERMINALS ARE COATED WITH LUBRICANT.
- 3. MATERIAL: HOUSING - POLYESTER, BLACK. TERMINAL - PHOS BRONZE PLATED WITH EITHER 0.76µm [.000030] MINIMUM GOLD PLATE OR GOLD FLASH OVER PALLADIUM NICKEL PLATE, 0.76µm [.000030] MINIMUM TOTAL ON MATING SURFACE. 3.05µm [.000120] MINIMUM TIN PLATE ON TAILS OVER 1.27µm [.000050] MINIMUM NICKEL UNDERPLATE OVER ENTIRE TERMINAL. STUD RECEIVER - STAINLESS STEEL. SHIELD - NICKEL PLATED ZINC DIE CASTING. BAIL CLIP - STAINLESS STEEL.
- 4. HOLES TO BE TAPPED AFTER PLATING.

4.70 [.185]	Ø3.79±0.08 [Ø.149±.003]	5.47 [.215]	4-40UNC-2B	5554145-4
DIM. D	DIM. C	DIM. A	HOLE B	PART NUMBER
THIS DRAWING IS A CONTROLLED DOCUMENT.				
DWN: B. LATTUCA 12AUG05		Tyco Electronics Corporation		
CHK: W. MILLHIMES 12AUG05		Harrisburg, PA 17105-3608		
APPR: M. WALMSLEY 12AUG05		NAME		
PRODUCT SPEC		RECEPTACLE ASSEMBLY, 36 POSITION, VERTICAL MOUNTING, SHIELDED, BAIL LOCK, CHAMP-LOK		
APPLICATION SPEC		RESTRICTED TO		
MATERIAL		SIZE		CAGE CODE
FINISH		A1		00779
CUSTOMER DRAWING		DRAWING NO		5554145
SCALE		SHEET		REV
4:1		1 OF 1		B

单击下面可查看定价，库存，交付和生命周期等信息

[>>TE Connectivity\(泰科\)](#)