

THIS DRAWING IS UNPUBLISHED.

RELEASED FOR PUBLICATION

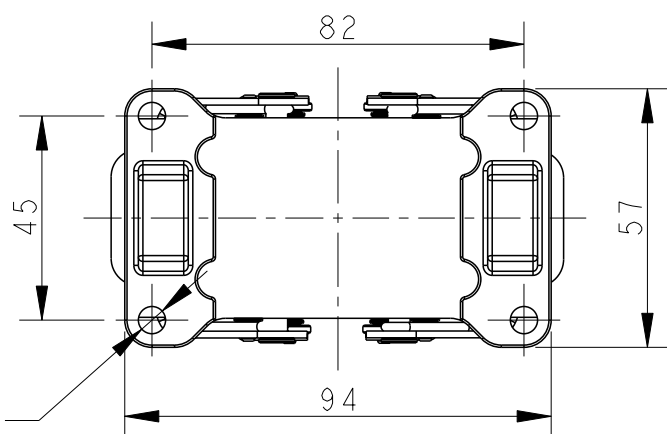
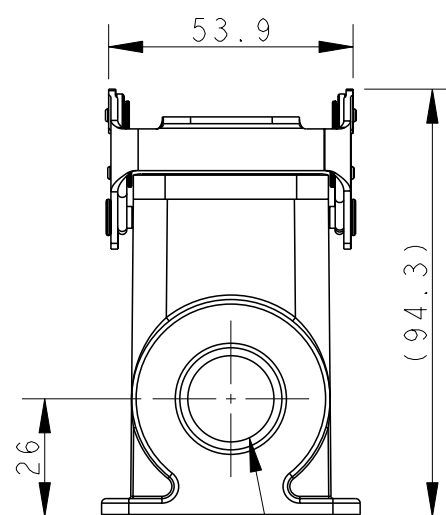
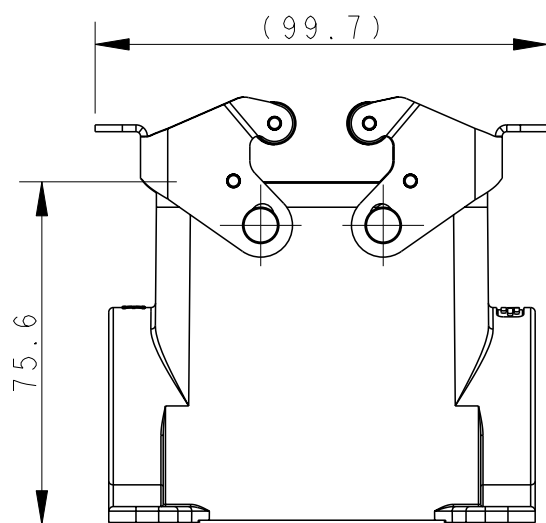
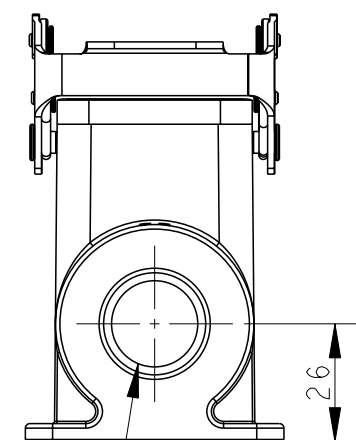
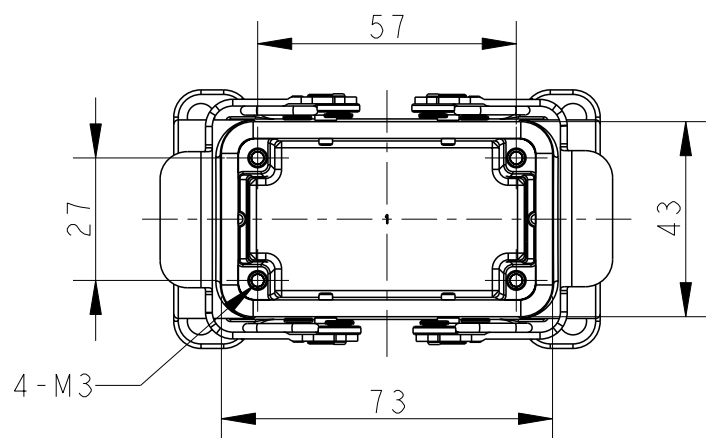
20

© COPYRIGHT 20 BY -

ALL RIGHTS RESERVED.

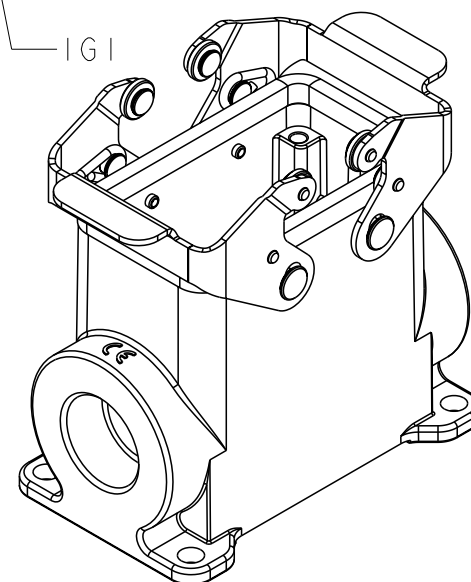
REVISIONS

P	LTR	DESCRIPTION	DATE	DWN	APVD
A		INITIAL RELEASE	25JUN2015	DL	CW
B		ECR-20-008181	13JUL2020	WQR	CW
BI		ECR-23-195948	27DEC2023	SC	CW



NOTES:  
 1. TECHNICAL CHARACTERISTICS:  
 BODY MATERIAL: DIE CAST ALUMINIUM ALLOY  
 SURFACE TREATMENT: POWDER-COATED, GRAY  
 DEGREE OF PROTECTION: IP65 (MATED)

注释:  
 1. 技术参数:  
 主体材料: 铝合金  
 表面处理: 粉末喷涂, 灰色  
 防护等级: IP65(配合)



TYPE I: HIGH BODY + DOUBLE STAINLESS STEEL LOCKING

TI470101225-000	TYPE I	H10B-SGRHS-2M25	M25	M25
TI470101121-000		H10B-SGRHS-PG21	PG21	-
TI470101129-000		H10B-SGRHS-PG29	PG29	-
TI470101132-000		H10B-SGRHS-M32	M32	-
TI470101221-000		H10B-SGRHS-2PG21	PG21	PG21
TI470101229-000		H10B-SGRHS-2PG29	PG29	PG29
TI470101232-000		H10B-SGRHS-2M32	M32	M32
ASSEMBLY PART NUMBER		TYPE	ASSEMBLY PART DESCRIPTION	IG1

THIS DRAWING IS A CONTROLLED DOCUMENT.		DWN	25JUN2015	<b>TE</b> TE Connectivity			
		CHK	25JUN2015				
		APVD	25JUN2015				
		PRODUCT SPEC	108-137013				
		APPLICATION SPEC	114-137013	NAME H10B-SGRHS-PG/M			
		WEIGHT	-				
MATERIAL		TBD		SIZE	CAGE CODE	DRAWING NO	RESTRICTED TO
				A3	-	©-TI47010XXXX000	
DIMENSIONS:		TOLERANCES UNLESS OTHERWISE SPECIFIED:		SCALE		SHEET	
mm		0 PLC ±-		3:5		1 OF 2	
		1 PLC ±-		REV		BI	
		2 PLC ±-					
		3 PLC ±-					
		4 PLC ±-					
ANGLES ±-		FINISH					

printed on 29 Dec 2023 09:57 (China Standard Time) from TE568938

A

D

THIS DRAWING IS UNPUBLISHED.

RELEASED FOR PUBLICATION

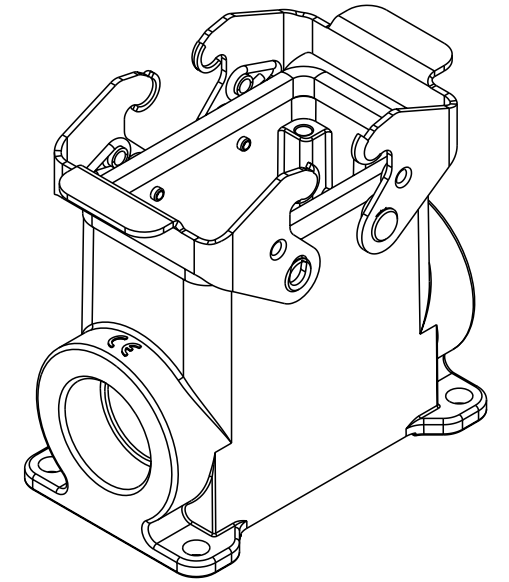
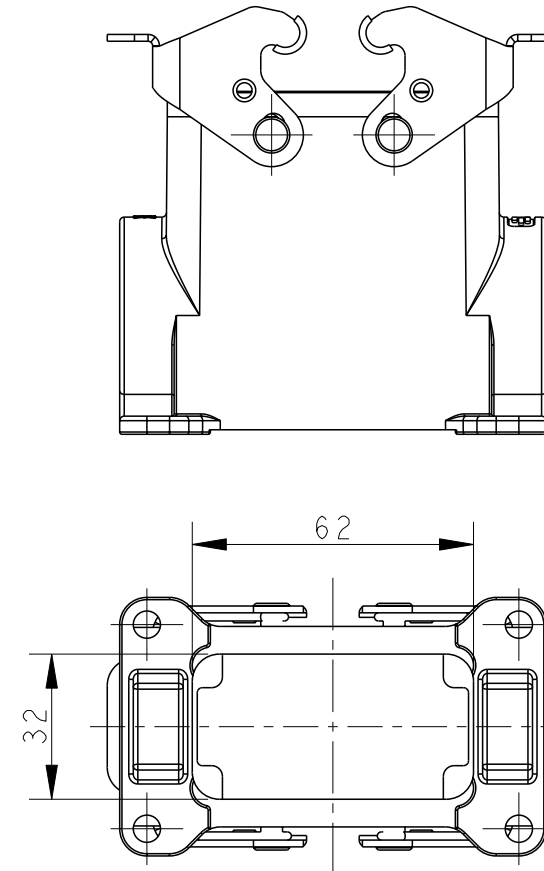
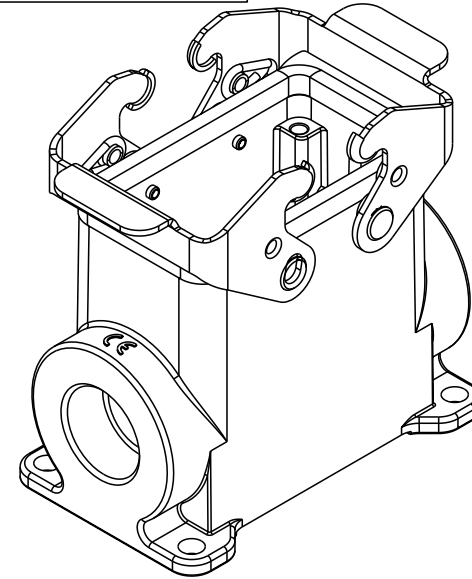
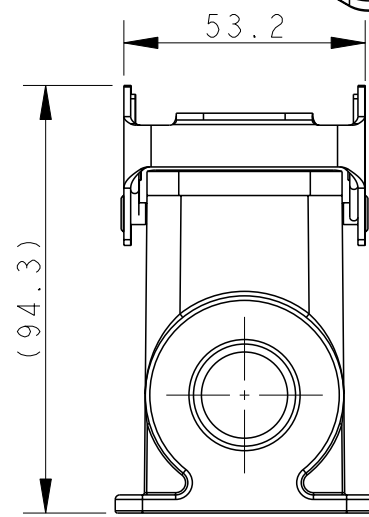
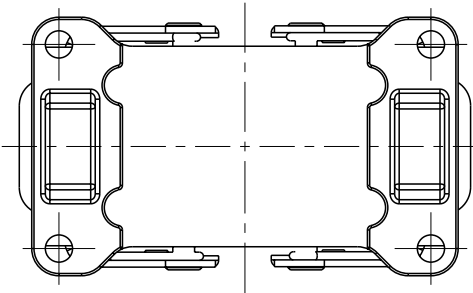
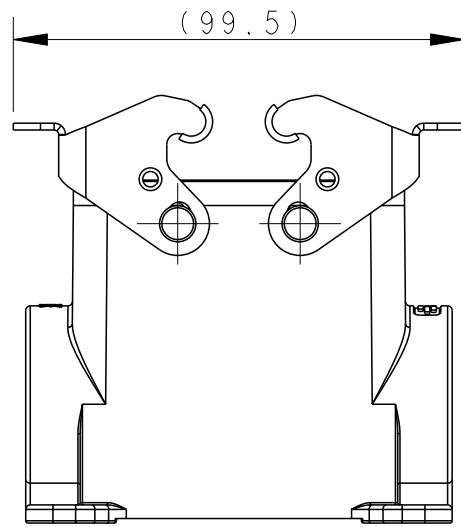
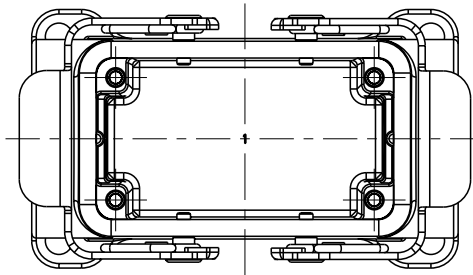
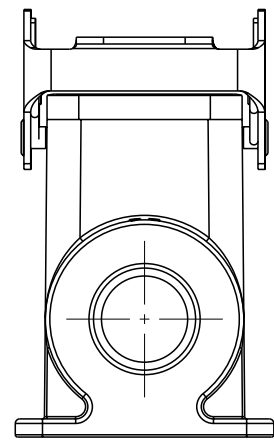
20

© COPYRIGHT 20 BY -

ALL RIGHTS RESERVED.

REVISIONS

P	LTR	DESCRIPTION	DATE	DWN	APVD
-	-	SEE SHEET 1	-	-	-



TYPE 2: HIGH BODY + DOUBLE STEEL LOCKING  
OTHER SPEC REFER TO TYPE 1

TYPE 3: HIGH BODY + DOUBLE STEEL LOCKING  
BOTTOM CUT OUT  
OTHER SPEC REFER TO TYPE 2

TI470102116-000	TYPE 2	H10B-SGRH-PG16	PG16	-
TI470102121-000		H10B-SGRH-PG21	PG21	-
TI470102125-000		H10B-SGRH-M25	M25	-
TI470102129-000		H10B-SGRH-PG29	PG29	-
TI470102132-000		H10B-SGRH-M32	M32	-
TI470102221-000		H10B-SGRH-2PG21	PG21	PG21
TI470102225-000		H10B-SGRH-2M25	M25	M25
TI470102229-000		H10B-SGRH-2PG29	PG29	PG29
TI470102232-000		H10B-SGRH-2M32	M32	M32
TI470100000-000		TYPE 3	H10B-SGRH	-
ASSEMBLY PART NUMBER	TYPE	ASSEMBLY PART DESCRIPTION	IG1	IG2

THIS DRAWING IS A CONTROLLED DOCUMENT.

DIMENSIONS:	TOLERANCES UNLESS OTHERWISE SPECIFIED:
mm	
	0 PLC ±-
	1 PLC ±-
	2 PLC ±-
	3 PLC ±-
	4 PLC ±-
	ANGLES ±-
MATERIAL	FINISH
TBD	-
-	-

DWN	25JUN2015
DAVID LI	
CHK	25JUN2015
CHRIS WANG	
APVD	25JUN2015
XU XIANG	
PRODUCT SPEC	108-137013
APPLICATION SPEC	114-137013
WEIGHT	-
CUSTOMER DRAWING	

TE Connectivity		NAME		H10B-SGRH-PG/M	
		SIZE	CAGE CODE	DRAWING NO	RESTRICTED TO
A3	-	C-TI47010XXXX000			
SCALE		3:5	SHEET		2 OF 2
			REV		B1

printed on 29 Dec 2023 09:57 (China Standard Time) from TE568938

A

A

D

D

C

B

单击下面可查看定价，库存，交付和生命周期等信息

[>>TE Connectivity\(泰科\)](#)