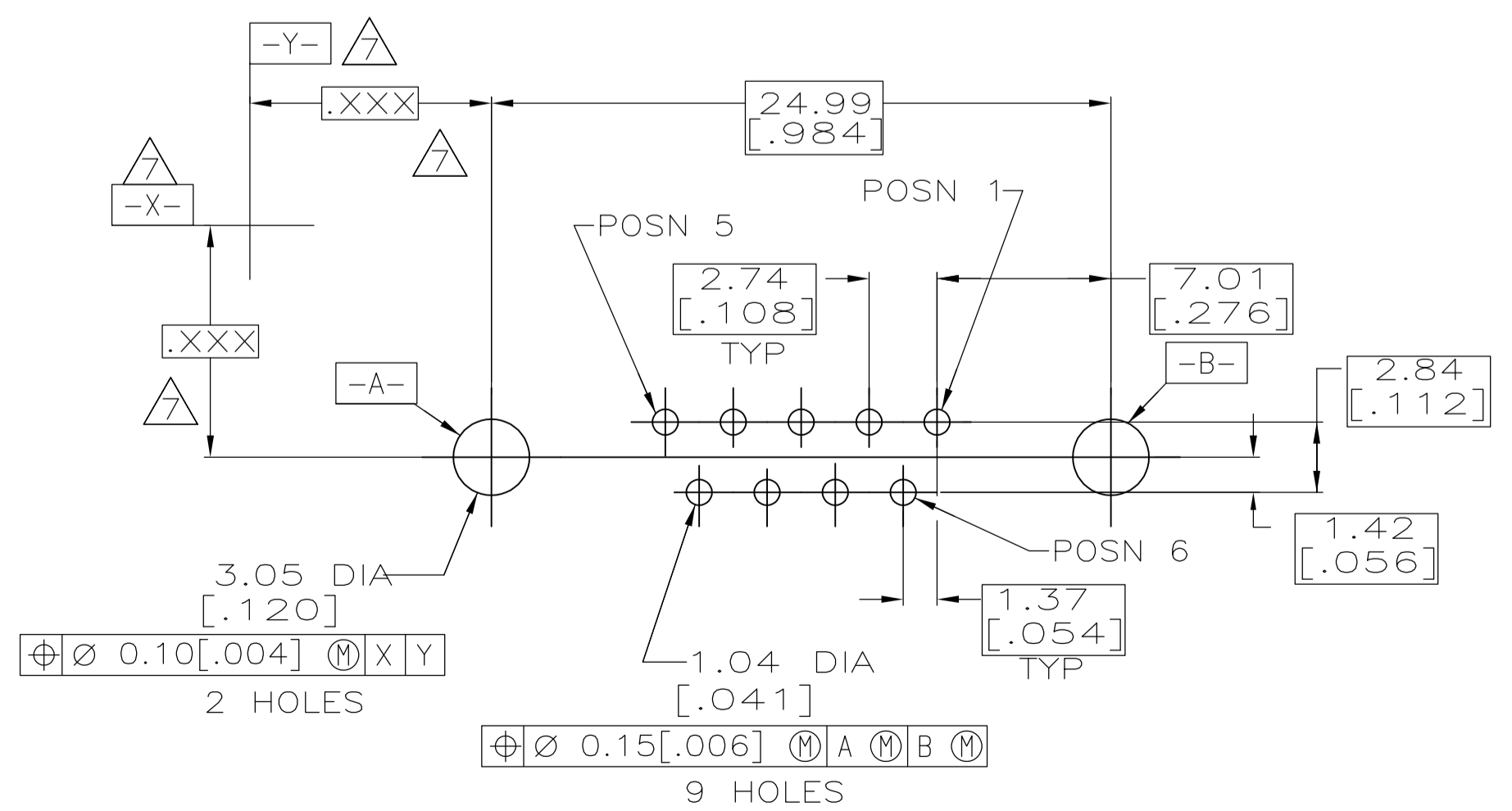
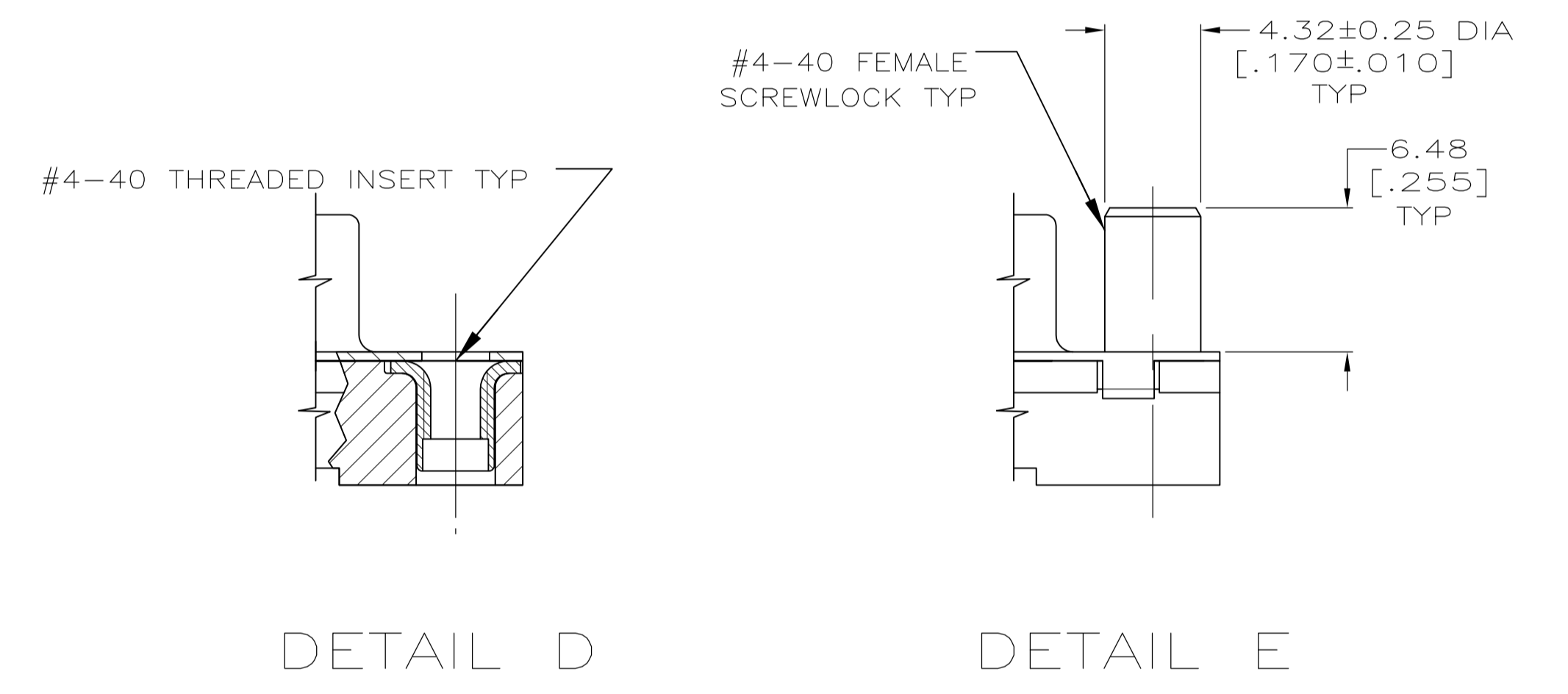
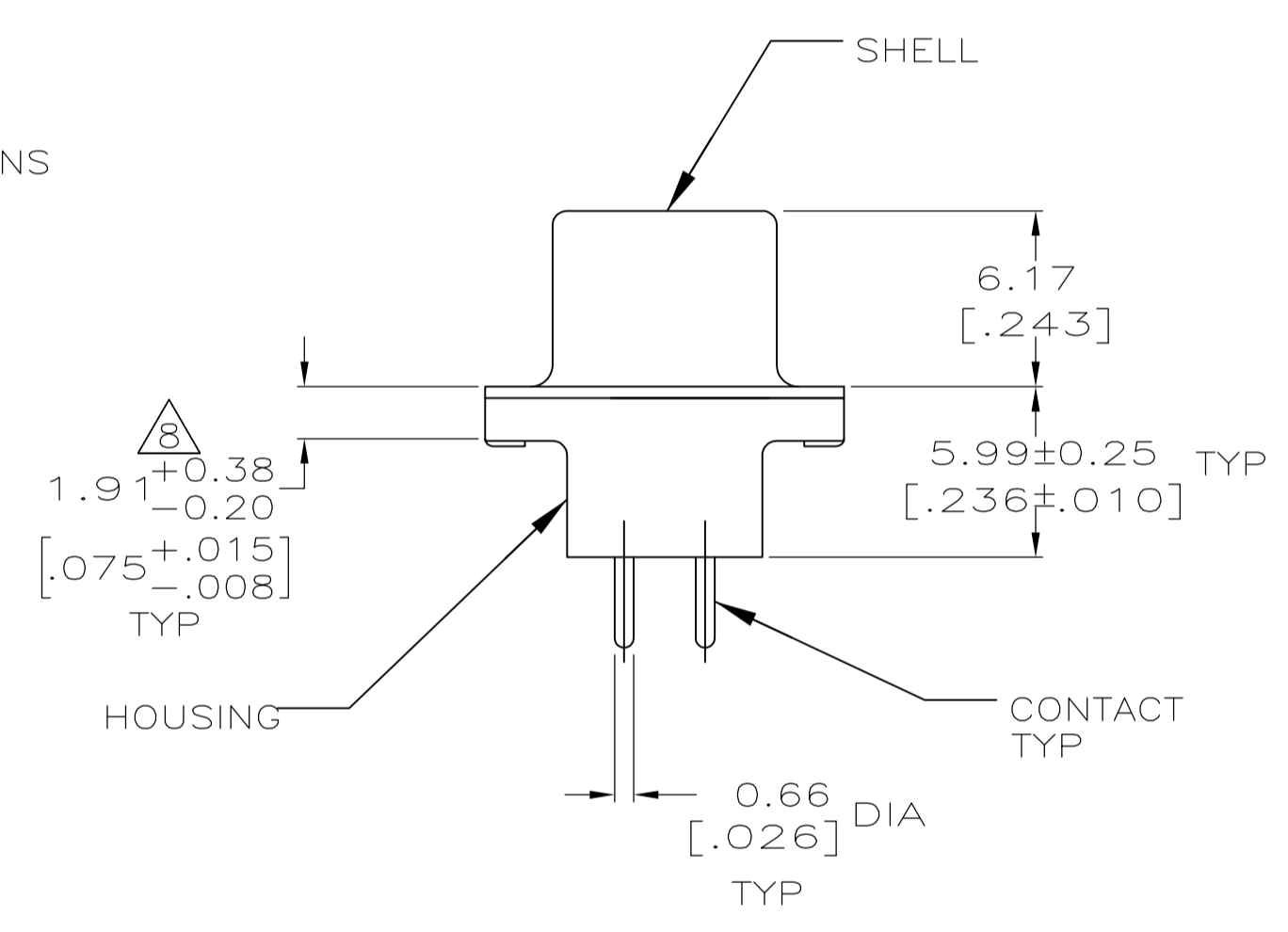
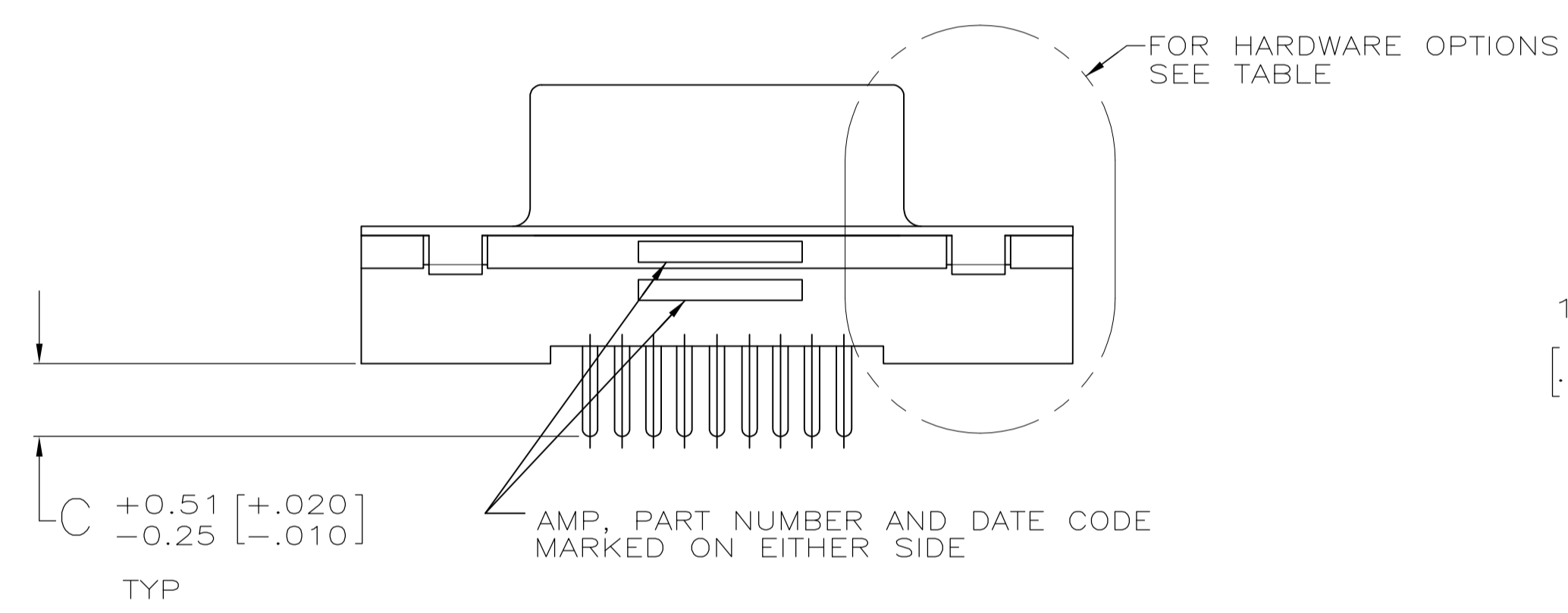
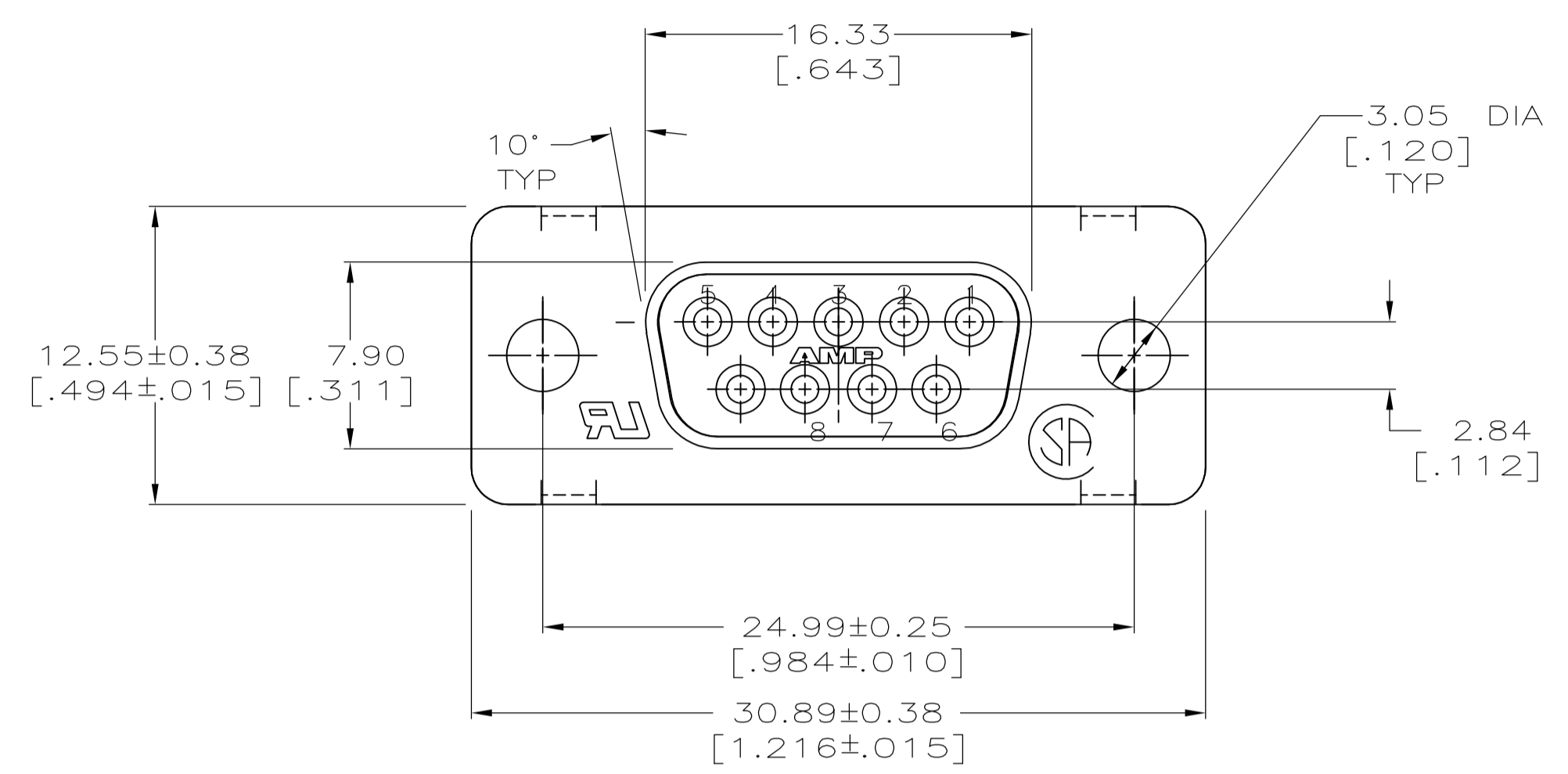


- △ HOUSING: POLYESTER, UL 94V-0 RATED, BLACK.
- △ SHELL: CARBON STEEL.
- △ SHELL: 5.08um [.000200] MIN TIN OVER 2.54um [.000100] MIN COPPER.
- △ GOLD FLASH FOR A LENGTH OF 2.54[.100] MIN FROM MATING END, 2.54um [.000100] MIN TIN OR TIN-LEAD ON OPPOSITE END, BOTH OVER 1.27um [.000050] MIN NICKEL.
- △ 0.76um [.000030] MIN GOLD FOR A LENGTH OF 2.54 [.100] MIN FROM MATING END, 2.54um [.000100] MIN TIN OR TIN-LEAD ON OPPOSITE END, BOTH OVER 1.27um [.000050] MIN NICKEL.
- 6. NOTE DELETED.
- △ DATUMS AND BASIC DIMENSIONS ESTABLISHED BY CUSTOMER.
- △ 2.79[.110] MAX IN SHELL TAB CLINCH AREAS.
- △ SUPERSEDED BY 747150-2.
- △ SUPERSEDED BY 747150-9.
- △ SUPERSEDED BY 1-747150-6.
- △ OBSOLETE.
- △ CONTACTS: PHOSPHOR BRONZE.
- △ SCREWLOCKS: ZINC.
- △ INSERTS: BRASS.



RECOMMENDED PC BOARD LAYOUT
CONNECTOR SIDE OF PC BOARD

W/FEMALE SCREWLOCKS PER DETAIL E	△ 5	4.32 [.170]	1-747150-6
	△ 4	4.32 [.170]	1-747150-5
W/THREADED INSERTS PER DETAIL D	△ 5	3.18 [.125]	1-747150-4
	△ 4	3.18 [.125]	1-747150-3
	△ 4	6.35 [.250]	1-747150-1
	△ 5	4.32 [.170]	1-747150-0
WO/FEMALE SCREWLOCKS OR THREADED INSERTS AS SHOWN	△ 4	4.32 [.170]	747150-9
	△ 5	3.18 [.125]	747150-8
	△ 4	3.18 [.125]	747150-7
	△ 5	4.32 [.170]	747150-4
HARDWARE OPTIONS	△ 5	3.18 [.125]	747150-2
	△ 4	3.18 [.125]	747150-1
CONTACTS	C		PART NO
FINISH	C		PART NO

THIS DRAWING IS A CONTROLLED DOCUMENT. DIMENSIONS: mm [INCHES]. TOLERANCES UNLESS OTHERWISE SPECIFIED: 0 PLC ± -, 1 PLC ± -, 2 PLC ± 0.13 [.005], 3 PLC ± -, 4 PLC ± -, ANGLES ± -.

MATERIAL: FINISH: △ 3. CONTACTS: SEE TABLE.

DIN D BROCKWAY 3-22-93. CJK R STONE 5-10-93. APVD: -.

PRODUCT SPEC: 108-40025. APPLICATION SPEC: 114-40023. SIZE: A1. CAGE CODE: 00779. DRAWING NO: 747150. RESTRICTED TO: -.

RECEPTACLE ASSEMBLY, SIZE 1, 9 POSITION FRONT METAL SHELL, WITH OR WITHOUT SCREWLOCKS OR INSERTS.

CUSTOMER DRAWING. SCALE: 4:1. SHEET: 1 OF 1. REV: M1.

单击下面可查看定价，库存，交付和生命周期等信息

[>>TE Connectivity\(泰科\)](#)