

THIS DRAWING IS UNPUBLISHED.

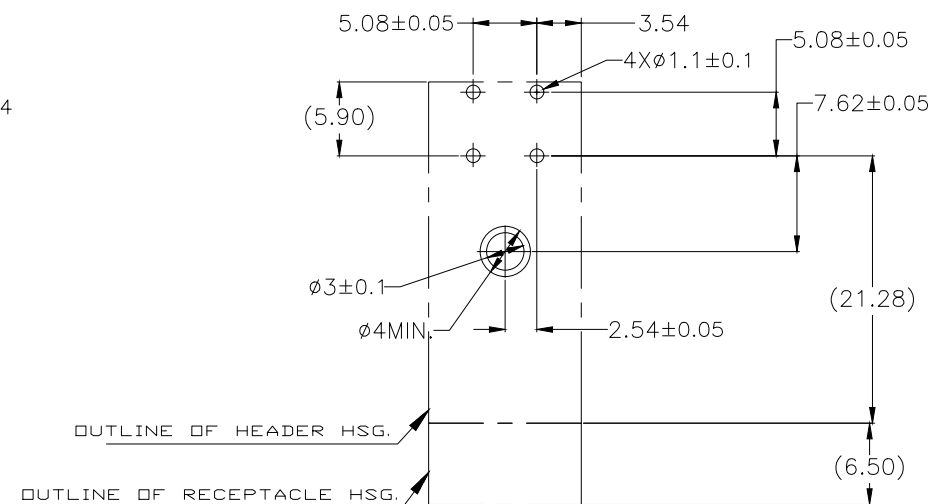
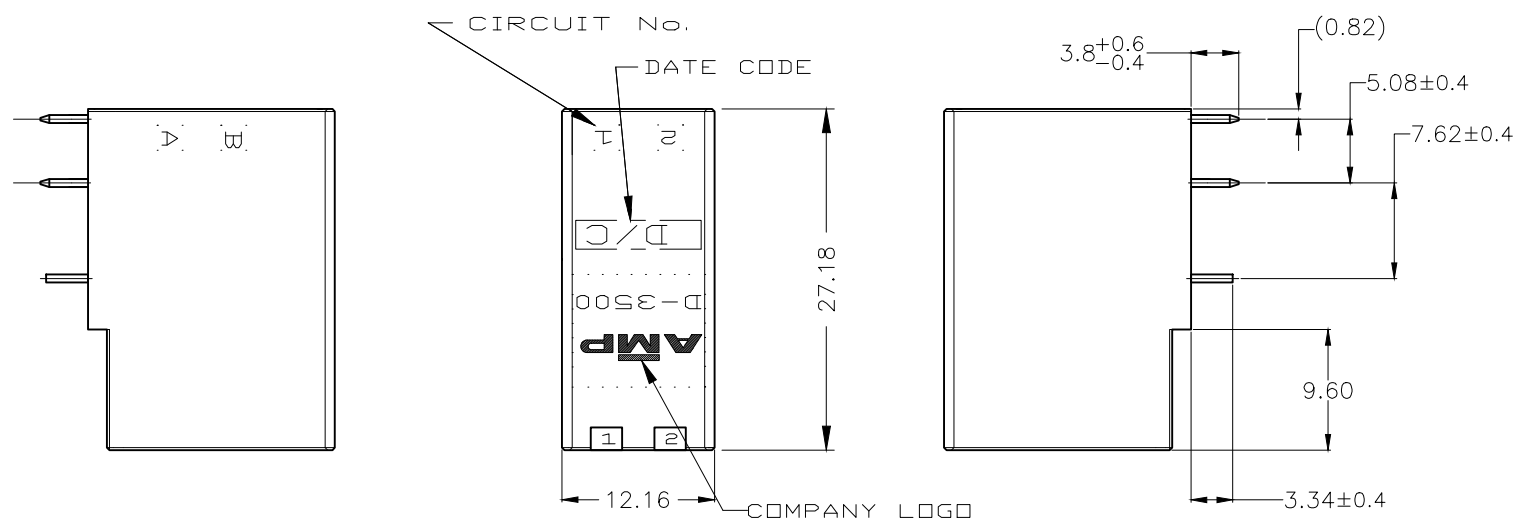
RELEASED FOR PUBLICATION

ALL RIGHTS RESERVED.

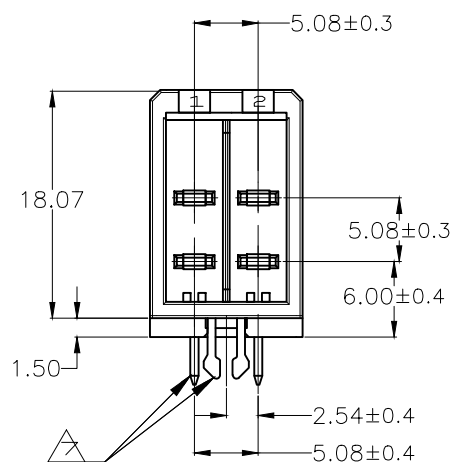
© COPYRIGHT - TE Connectivity Ltd.

REVISIONS

P	LTR	DESCRIPTION	DATE	DWN	APVD
0		RELEASED FJ00-2107-99	3/8'00	M.H	S.M
A		REVISED FJD0-0039-03	2JUN'03	T.S	S.M
B		REVISED ECR ECR-19-011957	29JUL'19	A.W	R.B
C		REVISED ECR ECR-19-016939	30OCT'19	A.W	R.B



RECOMEND PC BOARD HOLE (NOT ACCUMULATE TOLERANCE)
PC BOARD THICKNESS;1.6±0.1



NOTES

- △ MATERIAL;HOUSING:GLASS FIELD THERMO PLASTIC,POLYESTER. COLOR:BLACK CONTACT:PHOS.BRO SYSTEM RETENTION LEG : BRASS
- △ PRODUCT SPEC;108-5349
- 3 QUALIFICATION TEST REPORT;501-5013
- △ FINISH<CONTACT AREA>;0.38µMIN. GOLD PLT. OVER NICKL
- △ FINISH<CONTACT AREA>;0.76µMIN. GOLD PLT. OVER NICKL
- △ FINISH<CONTACT>; 2µMIN. TIN PLT. OVER NICKL
- △ FINISH<RETENTION LEG AND CONTACT TAIL>;TIN PLT. OVER NICKEL.

△ △	1376133-5
△ △	1376133-2
FINISH	PART NUMBER

THIS DRAWING IS A CONTROLLED DOCUMENT.		DWN	M.HIGO	3MAR'00	TE Connectivity		
		CHK	S.MANABE	3MAR'00			
		APVD	S.MANABE	3MAR'00	NAME		
		PRODUCT SPEC			DYNAMIC(D-3500)		
		APPLICATION SPEC			4 POS. HDR. ASSY		
		SIZE	CAGE CODE	DRAWING NO	RESTRICTED TO		
		WEIGHT	4.156g	A3	00779	C=1376133	-
CUSTOMER DRAWING		SCALE	2:1	SHEET	1 OF 1	REV	C

DIMENSIONS:	TOLERANCES UNLESS OTHERWISE SPECIFIED:
mm	X<10 = ±0.30 10 ≤ X < 30 = ±0.40 30 ≤ X < 100 = ±0.45 ±
	0 PLC ± - 1 PLC ± - 2 PLC ± - 3 PLC ± - 4 PLC ± - ANGLES ± 3°
MATERIAL	FINISH
SEE 1	4-△

单击下面可查看定价，库存，交付和生命周期等信息

[>>TE Connectivity\(泰科\)](#)