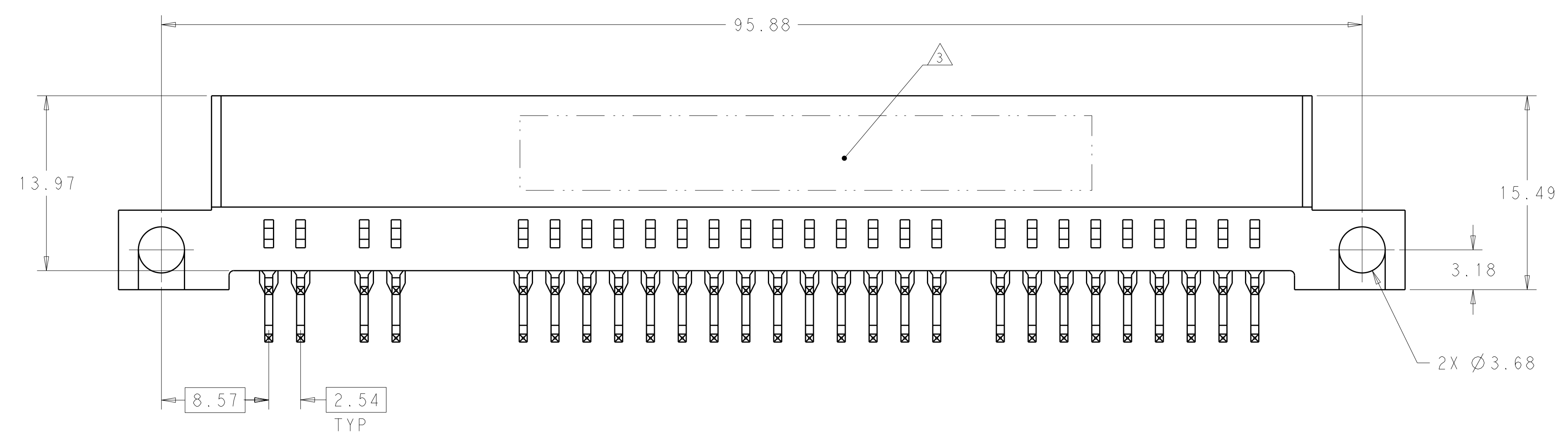
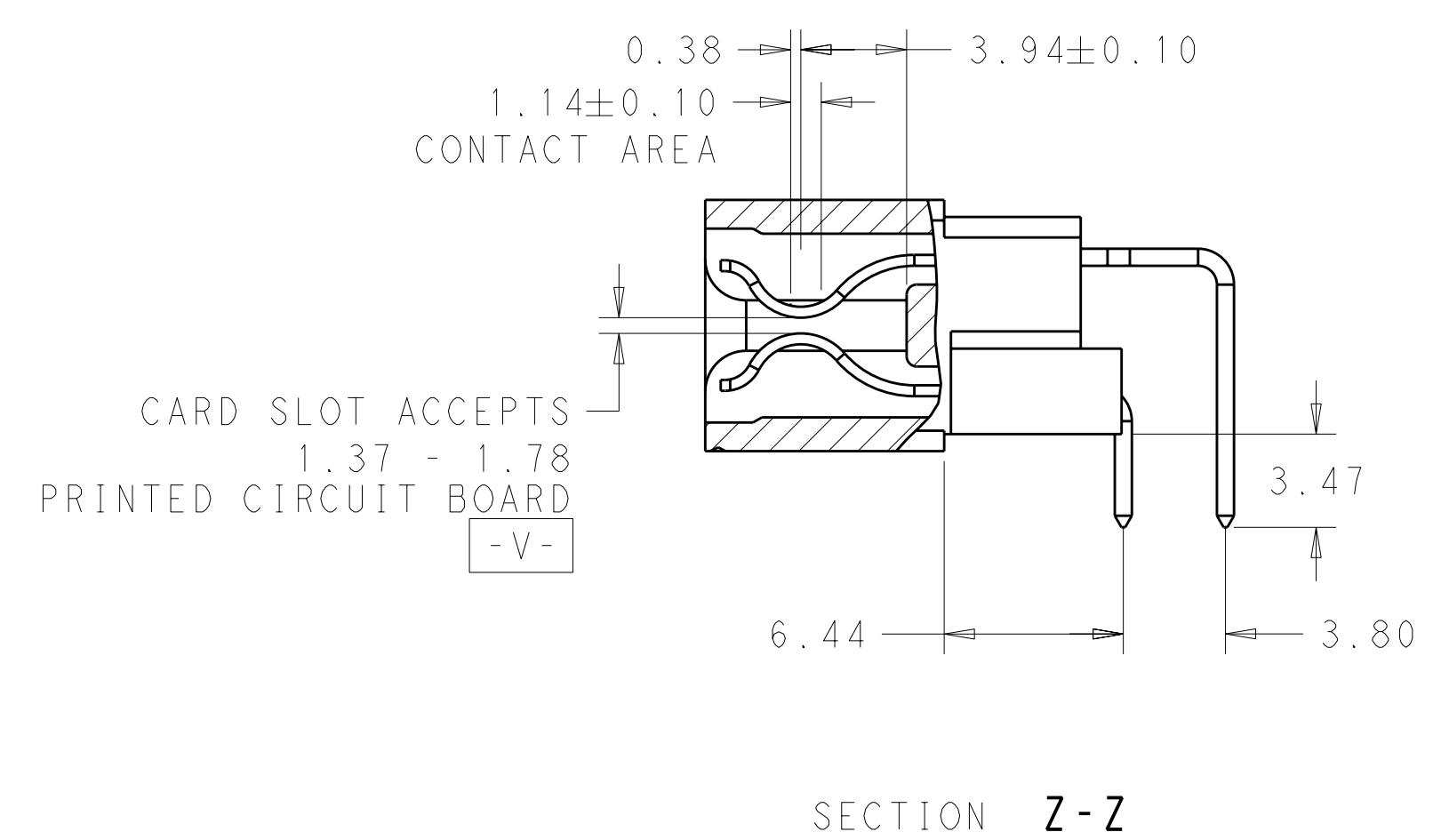
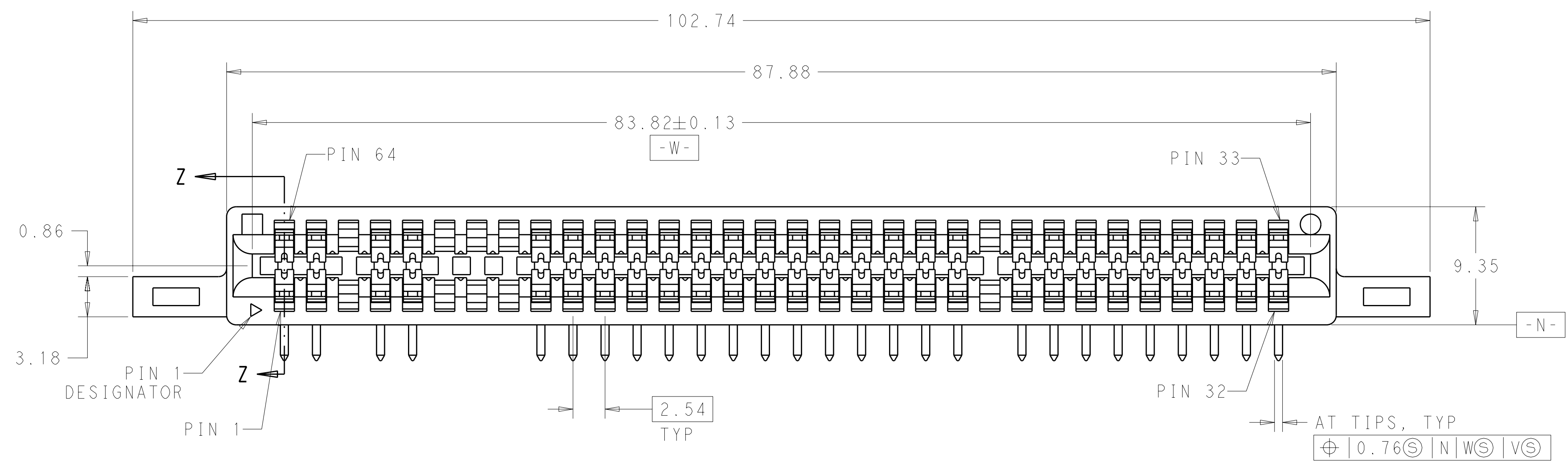


LOC	DIST	REVISIONS			
P	LTR	DESCRIPTION	DATE	DWN	APVD
GP	00	A	RELEASED PER ECO-10-025439	03JAN2011	RG MS

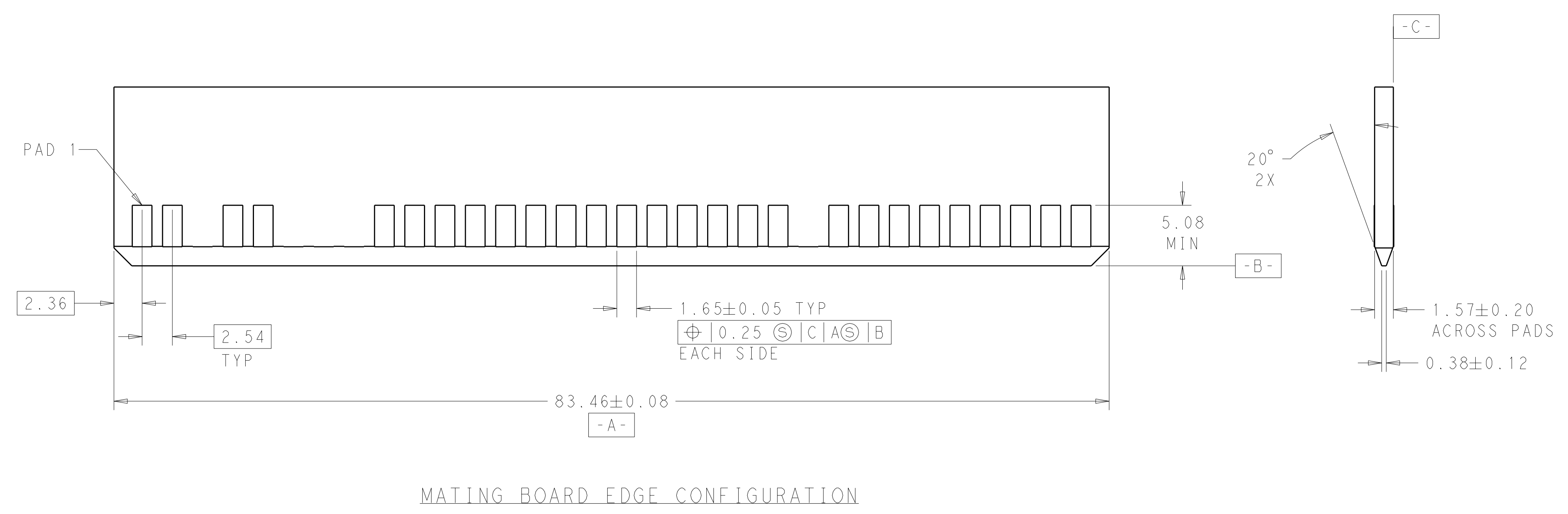
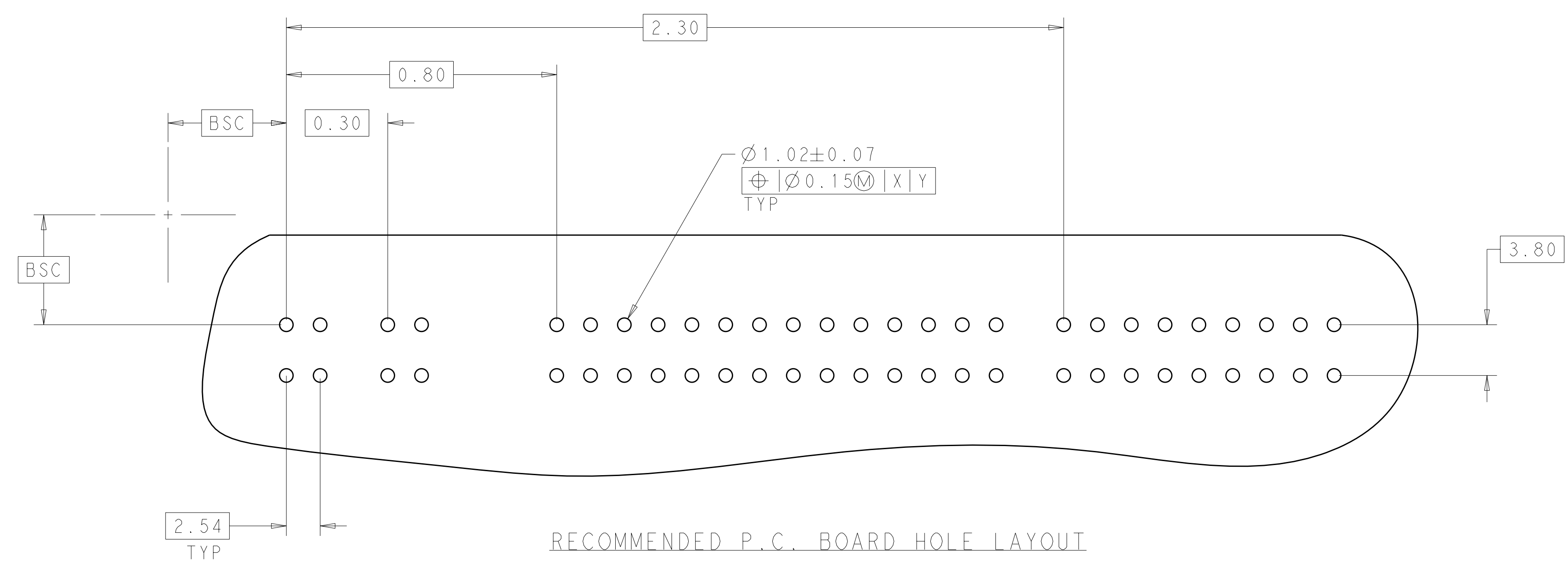


- 1 MATERIAL: INSULATORS - THERMOPLASTIC, GLASS REINFORCED, COLOR: BLACK, UL94V-0 FLAMMABILITY RATED. CONTACTS - HIGH CONDUCTIVITY COPPER,
- 2 FINISH: CONTACTS - GOLD PLATE 0.38µm MIN. THK., OVER NICKEL 1.27µm MIN. THK. SOLDER TAILS - MATTE TIN 2.54µm MIN. THK. OVER NICKEL 1.27µm MIN THK.
- 3 ITEMS PROVIDED TO THIS SPECIFICATION TO BE PERMANENTLY IDENTIFIED PER THE FOLLOWING IDENTIFIER LABEL  
 YEAR WEEK  
 TYCO ELECTRONICS P/N DATE CODE (e.g. 0106)  
 XXXXXXX-X XXXX
- 4 NO BURRS AND/OR SHARP EDGES ARE PERMISSABLE

3, 6, 7, 8, 23, 42, 57, 58, 59, 62	32	2169269-1
OMIT PINS	NO OF POSN	PART NUMBER

DIMENSIONS: mm TOLERANCES UNLESS OTHERWISE SPECIFIED: 9 PLC ±0.5 1 PLC ±0.25 5 PLC ±0.25 4 PLC ±0.25 ANGLES ±#2		DWN R. GRZYBOWSKI 13OCT2010 CHK M. SYKES 13OCT2010 APVD M. SYKES 13OCT2010 PRODUCT SPEC 108-2202 APPLICATION SPEC 114-13018 WEIGHT - CUSTOMER DRAWING	Tyco Electronics Corporation Harrisburg, PA 17105-3608 NAME CONNECTOR ASSEMBLY, RIGHT ANGLE STANDARD EDGE II HIGH CURRENT, DUAL POSITION SIZE CAGE CODE DRAWING NO. RESTRICTED TO A100779C=2169269 SCALE 4:1 SHEET 1 OF 2 REV A
---	--	---	---

LOC		DIST		REVISIONS			
P	LTB	DESCRIPTION	DATE	DWN	APVD		
-	-	SEE SHEET 1	-	-	-		



DIMENSIONS: mm 		TOLERANCES UNLESS OTHERWISE SPECIFIED: 0 PLC ± 1 PLC ±0.5 2 PLC ±0.25 3 PLC ± 4 PLC ± ANGLES ± FINISH #2		DWN R. GRZYBOWSKI 13OCT2010 CHK M. SYKES 13OCT2010 APVD M. SYKES 13OCT2010		Tyco Electronics Corporation Harrisburg, PA 17105-3608	
MATERIAL - FINISH -		PRODUCT SPEC 108-2202 APPLICATION SPEC 114-13018		NAME CONNECTOR ASSEMBLY, RIGHT ANGLE STANDARD EDGE II HIGH CURRENT, DUAL POSITION SIZE CAGE CODE DRAWING NO. RESTRICTED TO A100779C-2169269		SCALE 4:1 SHEET 2 OF 2 REV A	
CUSTOMER DRAWING							

单击下面可查看定价，库存，交付和生命周期等信息

[>>TE Connectivity\(泰科\)](#)