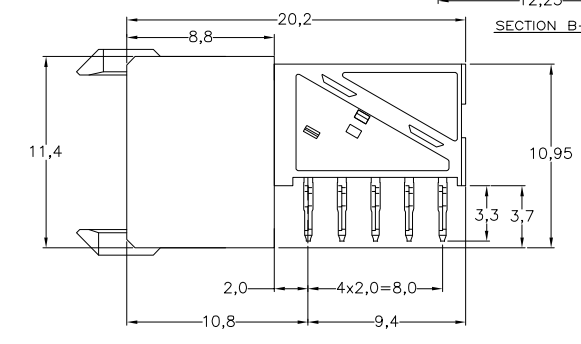
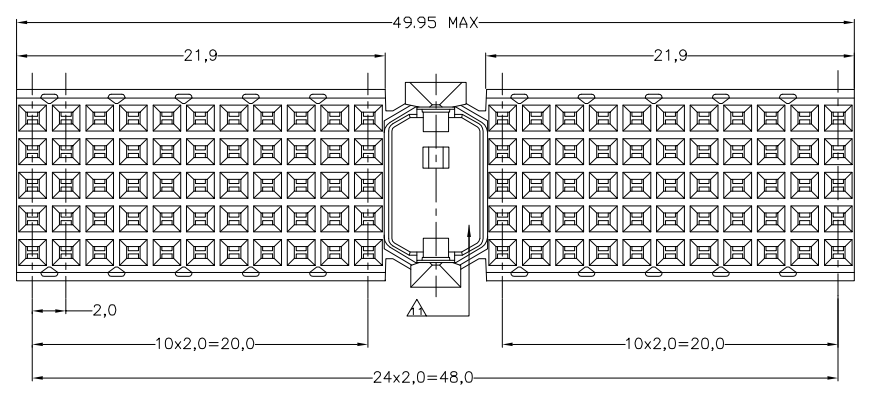
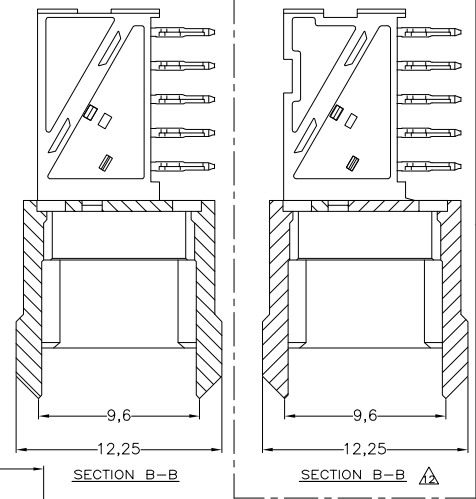
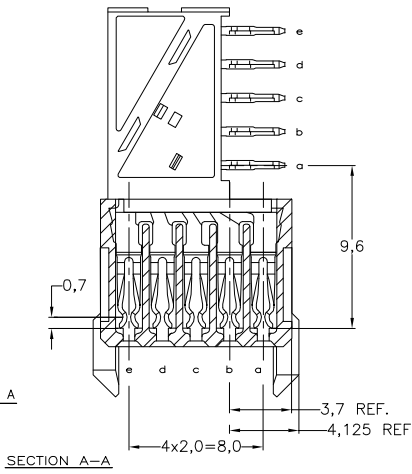
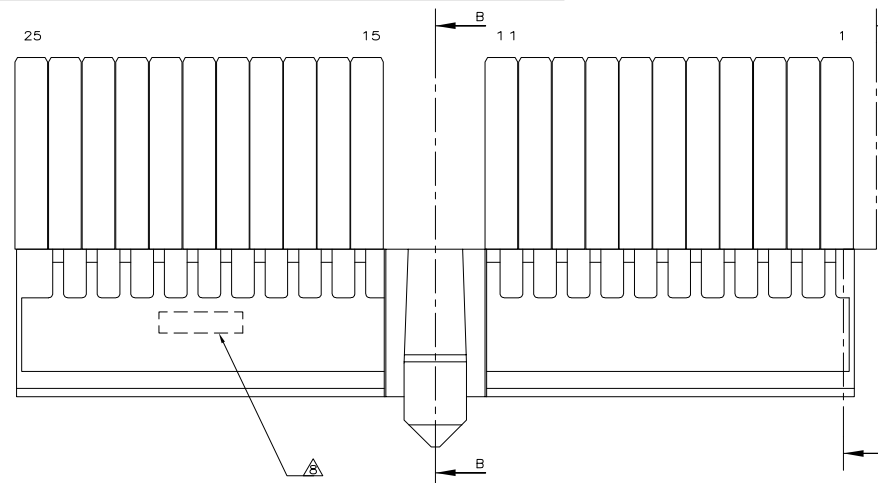
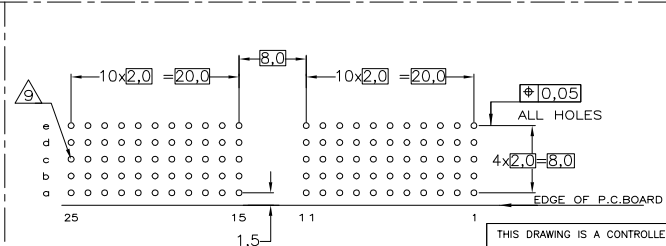


THIS DRAWING IS UNPUBLISHED.
 RELEASED FOR PUBLICATION
 © COPYRIGHT -- By -- ALL RIGHTS RESERVED.

LOC		DISP		REVISIONS				
P	LTR	DESCRIPTION	DATE	DN	APVD			
A		INITIAL RELEASE	14AUG2012	SY	AC			



- NOTES:**
- ⚠ MATERIAL CONTACT; PHOSPHORBRONZE
 - ⚠ MATERIAL HOUSING; GLASSFILLED POLYESTER (GRAY) UL-RATING 49VO
 - ⚠ GENERAL PLATING SPECIFICATION: UNDERPLATING (ENTIRE CONTACT): 1,27µm NICKEL MIN. AND ACTION PIN: 0,5µm TIN-LEAD MIN.
 - ⚠ FOR PLATING OF MATING SURFACES SEE APPLICABLE SPECIFICATION REFERENCE FOR EACH DASH NUMBER.
 - ⚠ CONFORMS TO ALL TESTING ACCORDING IEC 61076-4-101 PERFORMANCE LEVEL 2.
 - ⚠ CONFORMS TO ALL TESTING ACCORDING IEC 61076-4-101 PERFORMANCE LEVEL 1.
 - ⚠ CONNECTOR TESTED AND QUALIFIED AGAINST TELCORDIA GR-1217-CORE QUALITY LEVEL III, CENTRAL OFFICE APPLICATIONS.
 - ⚠ CONNECTOR TESTED AND QUALIFIED AGAINST TELCORDIA GR-1217-CORE QUALITY LEVEL III, UNCONTROLLED ENVIRONMENT APPLICATIONS.
 - ⚠ CONNECTOR LUBRICATED WITH TELCORDIA GR-1217-CORE APPROVED LUBRICANT.
 - ⚠ CONNECTOR MARKED WITH PARTNUMBER AND DATECODE.
 - ⚠ THE MARKING CAN APPEAR ON THE FRONT SIDE OR ON THE BACK SIDE.
 - ⚠ PLATED-THROUGH HOLES AT 2x2mm SQUARE GRID, 110 HOLES.
 - ⚠ FITS WITH INTEGRATED GROUND RETURN UPERSHIELD, BASIC P.N. 338107 AND INTEGRATED GROUND RETURN LOWERSHIELD, BASIC P.N. 338108
 - ⚠ AREA RESERVED FOR CODING KEY, BASIC P.N. 100526
 - ⚠ CONNECTOR ASSEMBLED WITH ALTERNATE FEMALE CONTACTS.
 - ⚠ 1,27µm MIN GOLD PLATING AT MATING SURFACES, NO LUBRICANT.



SCALE 2,5:1
 COMPONENT SIDE AS SHOWN
 RECOMMENDED PCB-HOLE LAY-OUT

P.C.B. HOLE DIM. ACTION PIN
 FOR DETAILS SEE
 APPLICATION SPECIFICATION

THIS DRAWING IS A CONTROLLED DOCUMENT.

DW	SANDERS, YAN	10MAY2012
CHK		
APVD	ALEX CAI	10MAY2012
NAME		
PRODUCT SPEC	108-19082	
APPLICATION SPEC	114-19029	
WEIGHT		
MATERIAL		
FINISH		

FINISH	MATERIAL	PARTNUMBER
		2170348-5
STE TE Connectivity		
Z-PACK 2mm HM TYPE A 110 POS. FEMALE CONNECTOR		
SIZE	CAGE CODE	DRAWING NO
A2	00779	2170348
CUSTOMER DRAWING	SCALE	SHEET 1 OF 1
RESTRICTED TO		REV A

单击下面可查看定价，库存，交付和生命周期等信息

[>>TE Connectivity\(泰科\)](#)