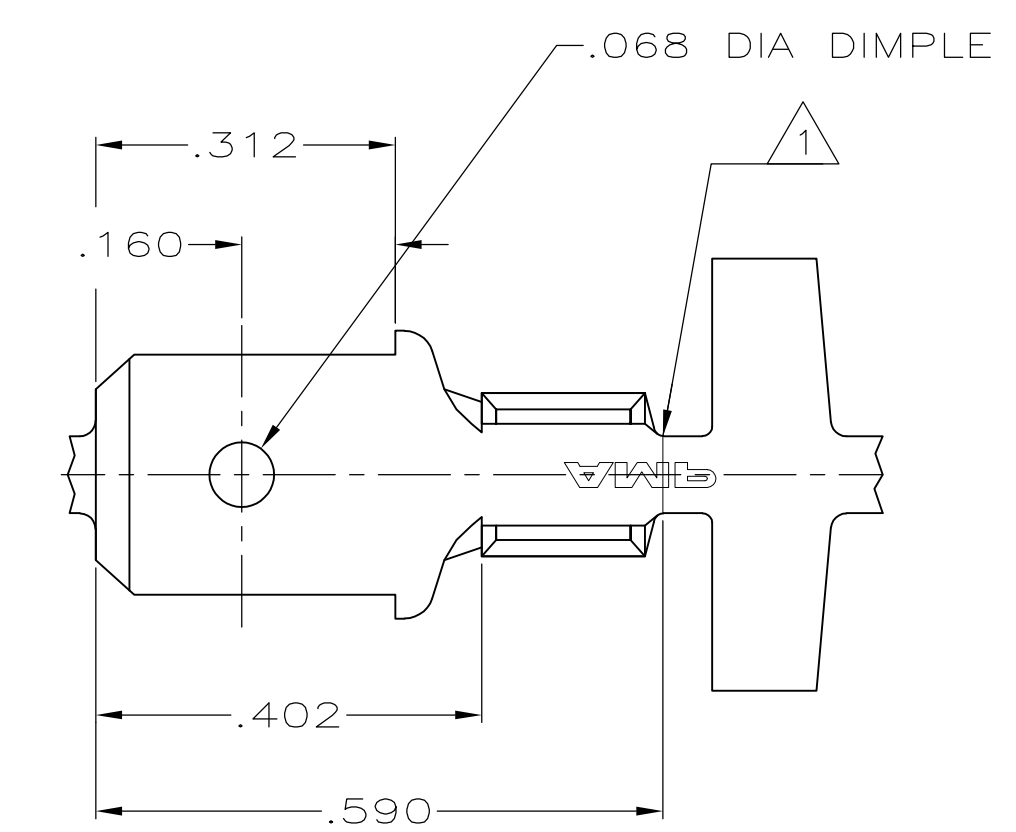
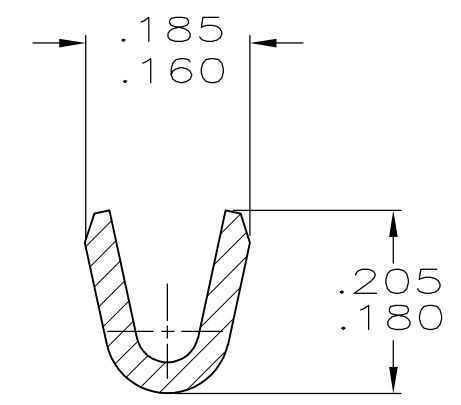


THIS DRAWING IS UNPUBLISHED. RELEASED FOR PUBLICATION
 © COPYRIGHT - By - ALL RIGHTS RESERVED.

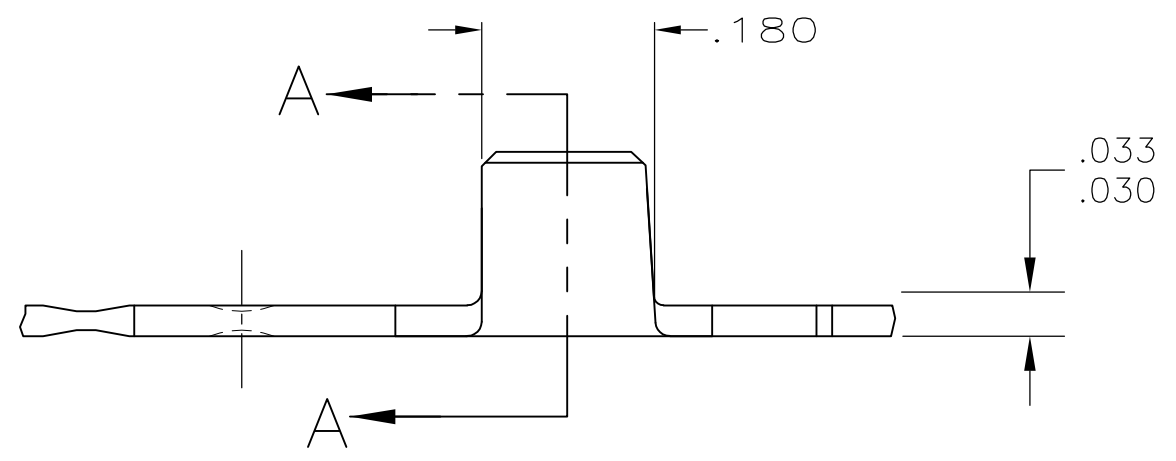
LOC	DIST	REVISIONS			
P	LTR	DESCRIPTION	DATE	DWN	APVD
AF	50	J	REVISED PER ECR-13-011489	05DEC2013	KH PD



- 1 CUT-OFF IN APPLICATOR
- 2 CONTINUOUS STRIP ON REELS.
- 3 WIRE SIZE TO BE #18-#14 AWG.



SECTION A-A



61367-3
 PART NO.

THIS DRAWING IS A CONTROLLED DOCUMENT.		DWN	JR RUTH	4/1/96	TE Connectivity			
DIMENSIONS: INCHES		CHK	MS FEHER	4/1/96				NAME
TOLERANCES UNLESS OTHERWISE SPECIFIED:		APVD	V KARABCIEVSKY	4/1/96	TAB, FASTON, .250 SERIES			
0 PLC	± -	PRODUCT SPEC		SIZE		CAGE CODE	DRAWING NO	RESTRICTED TO
1 PLC	± -	APPLICATION SPEC		A3		00779	C-61367	-
2 PLC	± -	MATERIAL		WEIGHT		CUSTOMER DRAWING		SCALE
3 PLC	± .015	BRASS		-		5:1		SHEET
4 PLC	± -	FINISH		-		1 OF 1		REV
ANGLES	± -	TIN		-		J		

单击下面可查看定价，库存，交付和生命周期等信息

[>>TE Connectivity\(泰科\)](#)