

THIS DRAWING IS UNPUBLISHED.

RELEASED FOR PUBLICATION

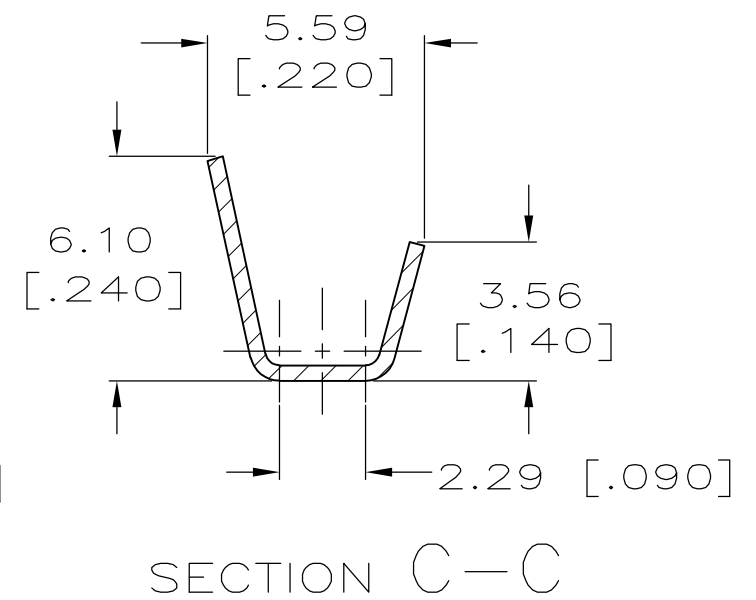
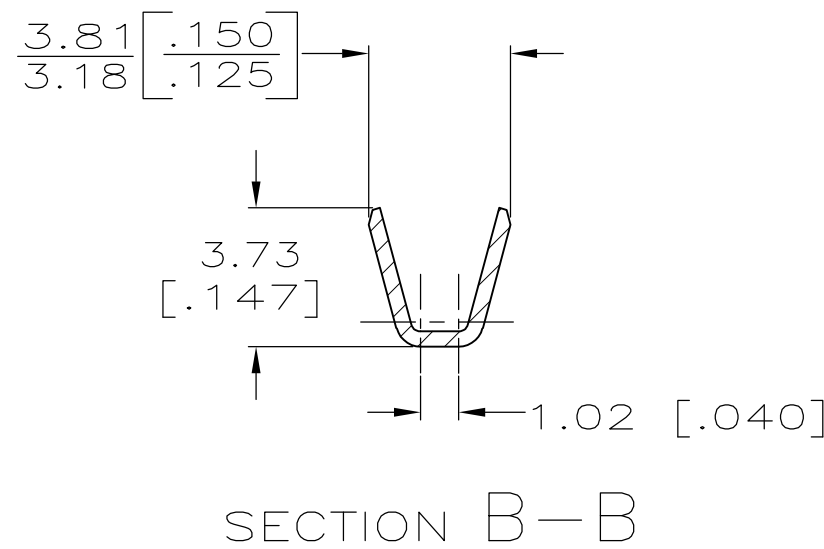
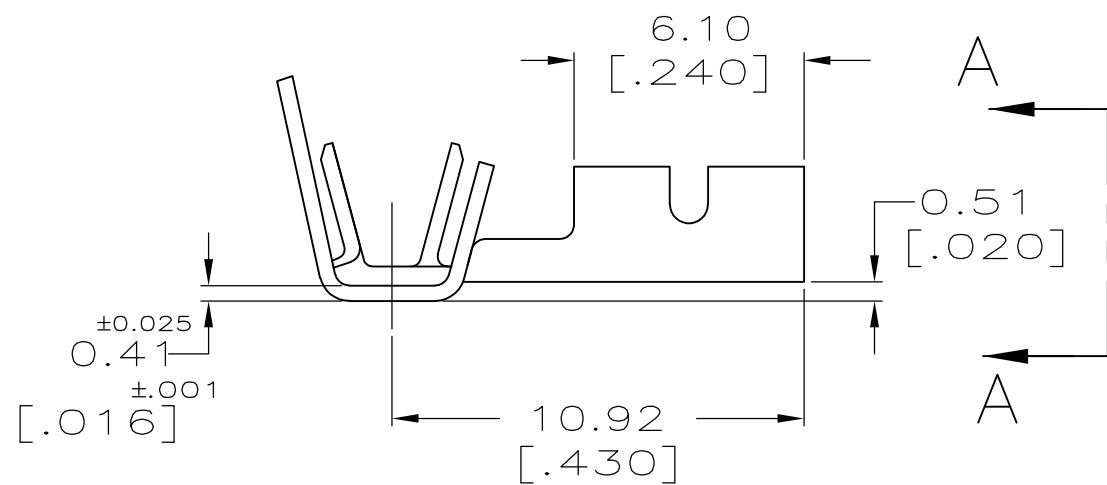
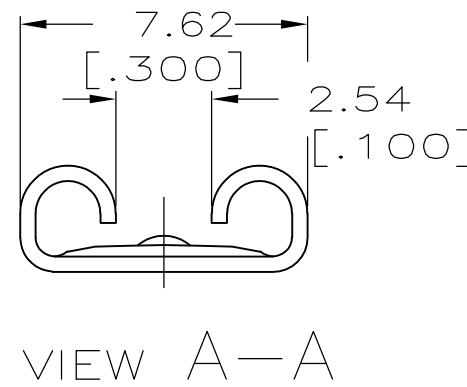
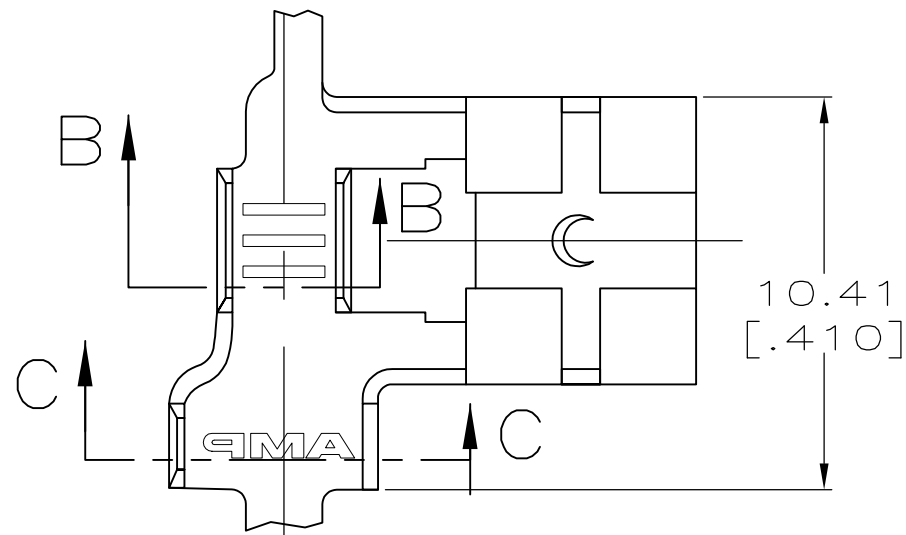
ALL RIGHTS RESERVED.

© COPYRIGHT - By -


REVISIONS

P	LTR	DESCRIPTION	DATE	DWN	APVD
	E2	REVISED PER ECR-17-010549	25JULY2017	DT	TD

- CONTINUOUS STRIP ON REELS.
- WIRE SIZE IS [#18-#14] AWG.
- INSULATION RANGE TO BE 2.79-4.02 [.110-.160] DIA.
- MATING TAB THK IS 0.813±0.025 [.032±.001].



NICKEL	63901-3
-	63901-2
TIN	63901-1
FINISH	PART NO.

THIS DRAWING IS A CONTROLLED DOCUMENT.		DWN	JR RUTH	5/2/96	 TE Connectivity												
DIMENSIONS: mm [INCHES]		CHK	MS FEHER	5/2/96													
TOLERANCES UNLESS OTHERWISE SPECIFIED:		APVD	P DESANTIS	5/2/96													
<table border="0"> <tr> <td>0 PLC</td> <td>± -</td> </tr> <tr> <td>1 PLC</td> <td>± -</td> </tr> <tr> <td>2 PLC</td> <td>± -</td> </tr> <tr> <td>3 PLC</td> <td>± 0.25 [.010]</td> </tr> <tr> <td>4 PLC</td> <td>± -</td> </tr> <tr> <td>ANGLES</td> <td>± -</td> </tr> </table>		0 PLC	± -	1 PLC		± -	2 PLC	± -	3 PLC	± 0.25 [.010]	4 PLC	± -	ANGLES	± -	PRODUCT SPEC	-	NAME
0 PLC	± -																
1 PLC	± -																
2 PLC	± -																
3 PLC	± 0.25 [.010]																
4 PLC	± -																
ANGLES	± -																
MATERIAL	BRASS/STEEL Ni	FINISH	SEE TABLE	WEIGHT	0.000000												
CUSTOMER DRAWING		SIZE	A3	CAGE CODE	00779												
SCALE		5:1	DRAWING NO	G-63901													
SHEET		1 OF 1	RESTRICTED TO	-													
REV		E2															

单击下面可查看定价，库存，交付和生命周期等信息

[>>TE Connectivity\(泰科\)](#)