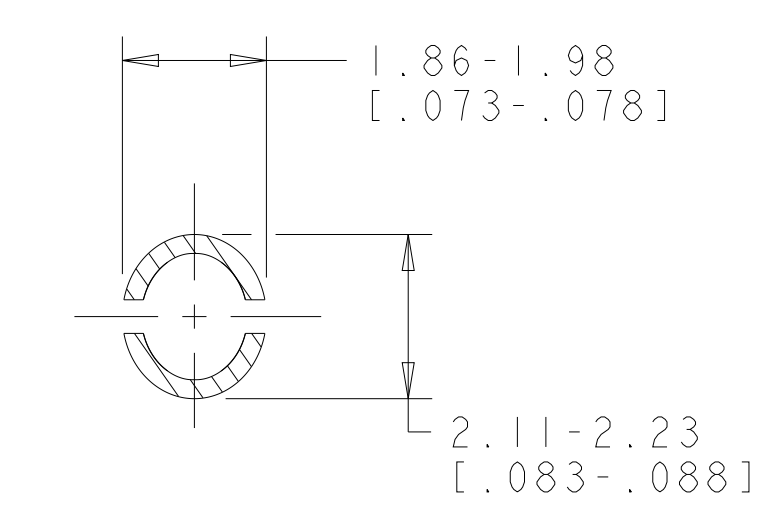
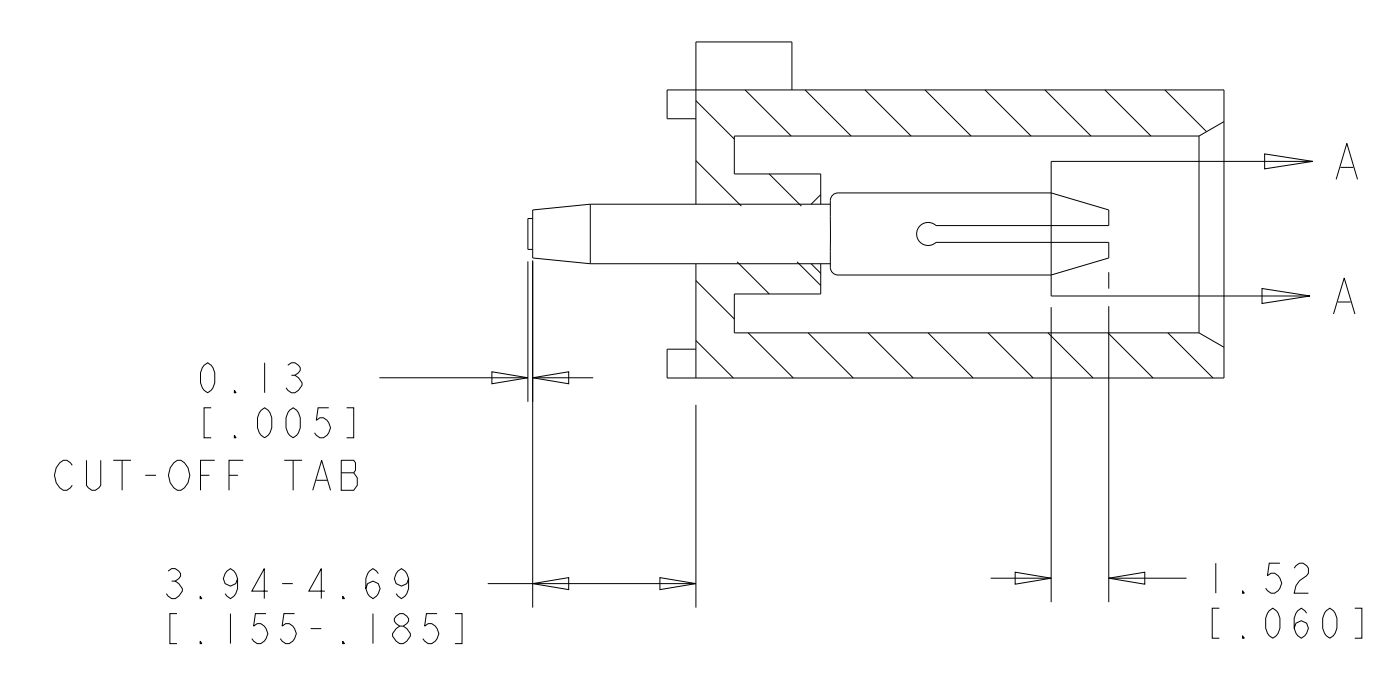
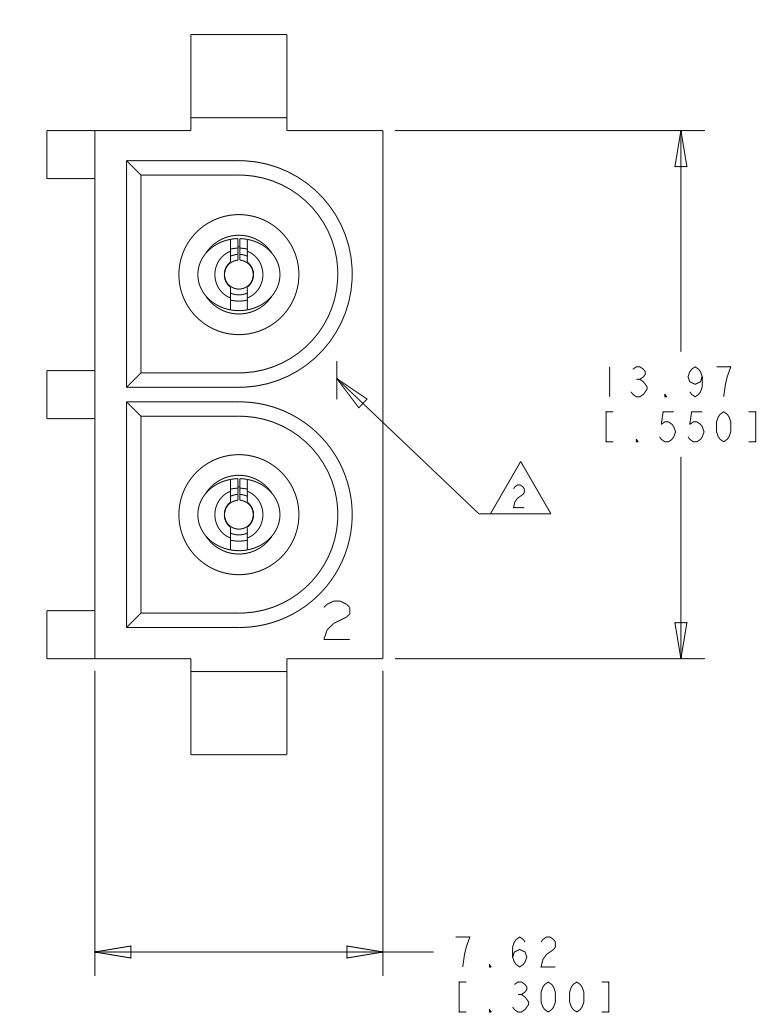
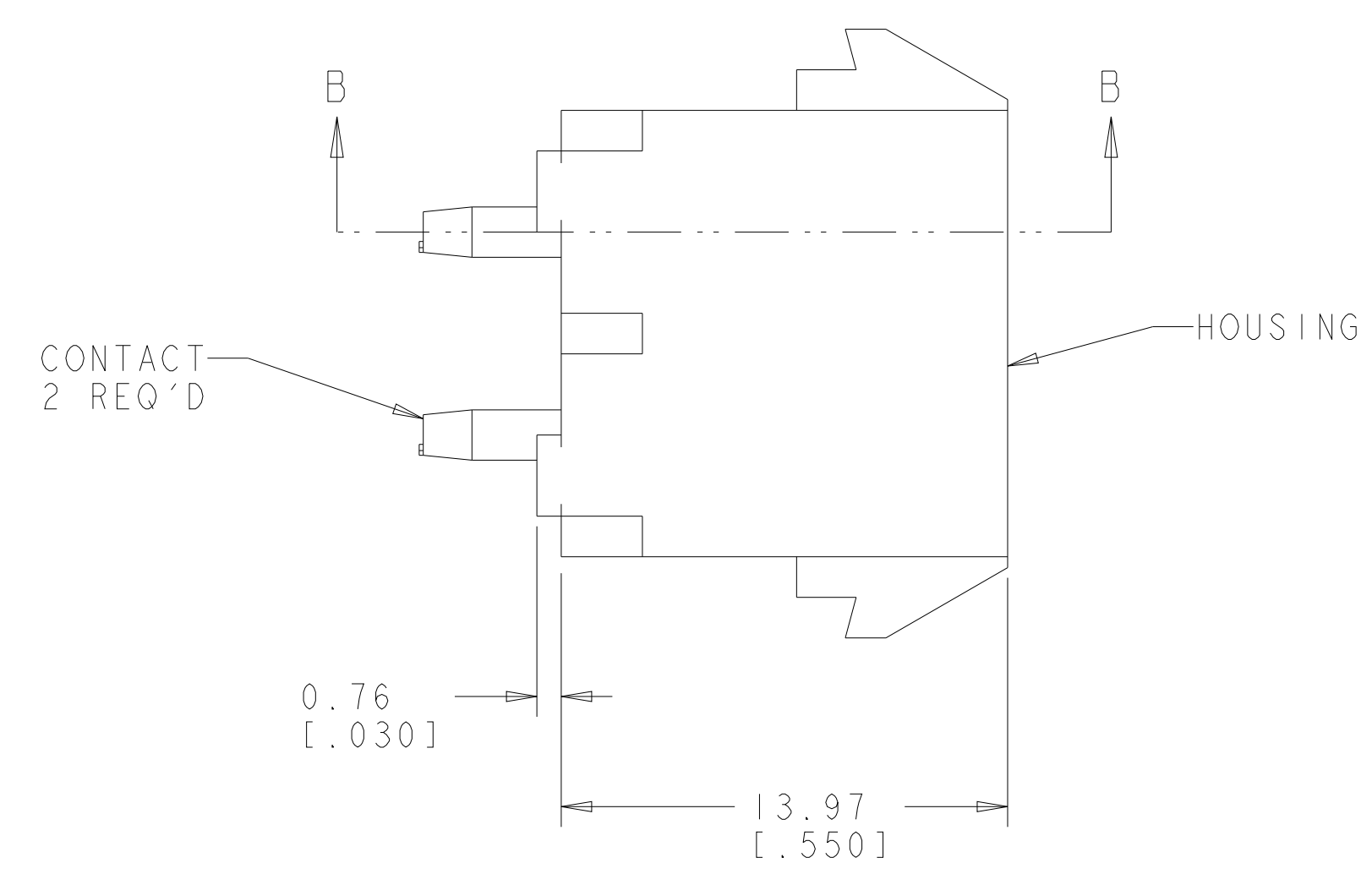
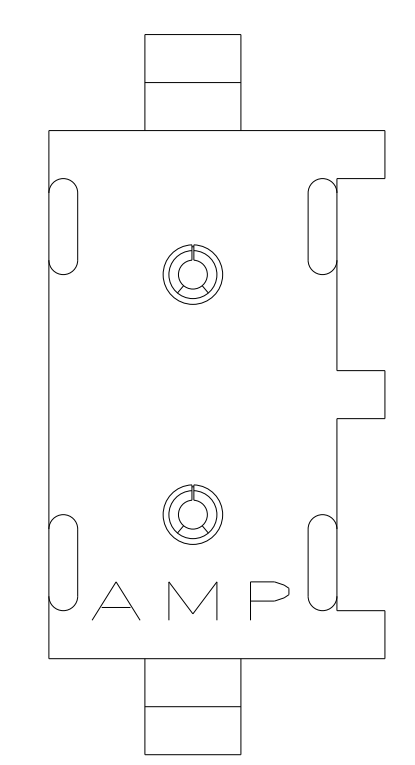


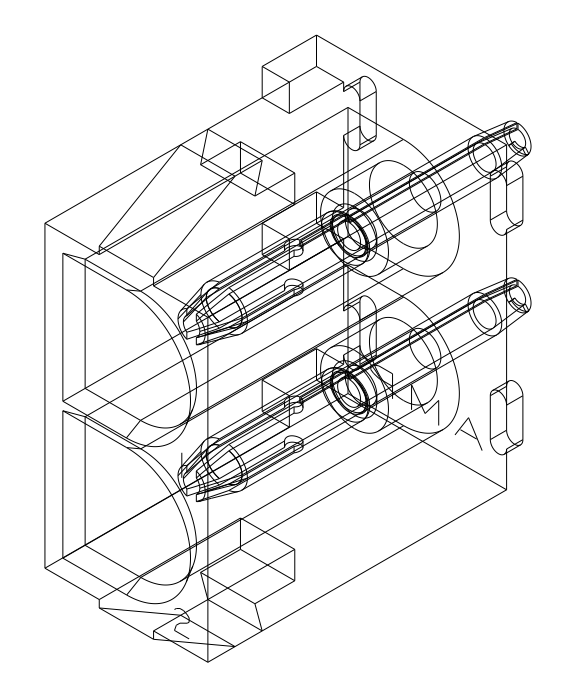
LOC	DIST	REVISIONS					
CM	00	P	LTN	DESCRIPTION	DATE	DWN	APVD
		0		REVISED PER OG38-0331-03	27-JUN-03	KW	SR
		01		ECO-07-017458	26JUL2007	KW	DC
		A		REVISED PER ECR-21-118133	22OCT2021	SS	VS

- PARTS COMPLY TO AMP SOLDERABILITY SPECIFICATION 109-11-3.
- CIRCUIT IDENTIFICATION CHARACTERS ARE ADJACENT TO THE INDICATED CAVITIES, BUT LOCATION AND ORIENTATION MAY DIFFER FROM PRINT.
- DIMENSIONS IN BRACKETS ARE IN INCHES.
- DIMENSIONS SHOWN REPRESENT PRODUCT IN DRY CONDITION. ADDITIONAL 2% GROWTH DUE TO END USE LOCATION MOISTURE ABSORPTION MAY OCCUR AND SHOULD BE ACCOUNTED FOR.

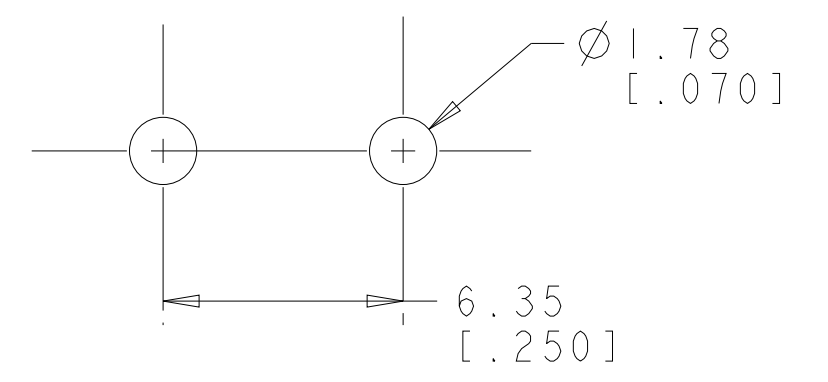


SECTION A-A
SCALE 10:1

SECTION B-B

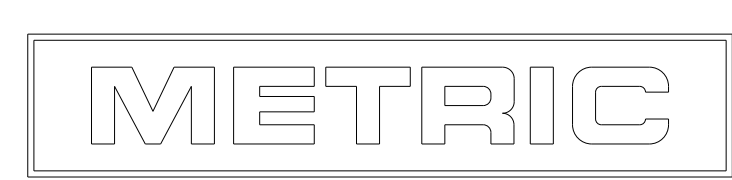


3 DIMENSIONAL VIEW
SCALE 4:1



RECOMMENDED MOUNTING HOLE PATTERN
FOR 1.57 [.062] THICK P.C. BOARD

PHOSPOR BRONZE, PRE-TIN PIN CONTACT MATERIAL AND FINISH	NYLON, UL94V-2, NATURAL HOUSING MATERIAL AND COLOR	1586076-1 PART NUMBER
<small>THIS DRAWING IS UNPUBLISHED. RELEASED FOR PUBLICATION 20. COPYRIGHT 20 BY TYCO ELECTRONICS CORPORATION. ALL RIGHTS RESERVED.</small>		DWN: K. WHITAKER 27-JUN-2003 CHK: S. RIDGILL 27-JUN-2003 APVD: S. RIDGILL 27-JUN-2003 NAME: PIN HEADER ASSEMBLY, 2 CIRCUIT, UNIVERSAL MATE-N-LOK(TM) SIZE: A CAGE CODE: 00779 DRAWING NO: 1586076 WEIGHT: - RESTRICTED TO: A
DIMENSIONS: mm [INCHES] 0 PLC ± 1 PLC ± 2 PLC ±0.131(.005) 3 PLC ± 4 PLC ± ANGLES ±40°30' FINISH SEE TABLE	TOLERANCES UNLESS OTHERWISE SPECIFIED: 0 PLC ± 1 PLC ± 2 PLC ±0.131(.005) 3 PLC ± 4 PLC ± ANGLES ±40°30' FINISH SEE TABLE	Tyco Electronics Harrisburg, PA 17105-3608 CUSTOMER DRAWING SCALE 5:1 SHEET 1 OF 1 REV A



单击下面可查看定价，库存，交付和生命周期等信息

[>>TE Connectivity\(泰科\)](#)